



Chipsmall Limited consists of a professional team with an average of over 10 year of expertise in the distribution of electronic components. Based in Hongkong, we have already established firm and mutual-benefit business relationships with customers from,Europe,America and south Asia,supplying obsolete and hard-to-find components to meet their specific needs.

With the principle of "Quality Parts,Customers Priority,Honest Operation,and Considerate Service",our business mainly focus on the distribution of electronic components. Line cards we deal with include Microchip,ALPS,ROHM,Xilinx,Pulse,ON,Everlight and Freescale. Main products comprise IC,Modules,Potentiometer,IC Socket,Relay,Connector.Our parts cover such applications as commercial,industrial, and automotives areas.

We are looking forward to setting up business relationship with you and hope to provide you with the best service and solution. Let us make a better world for our industry!



Contact us

Tel: +86-755-8981 8866 Fax: +86-755-8427 6832

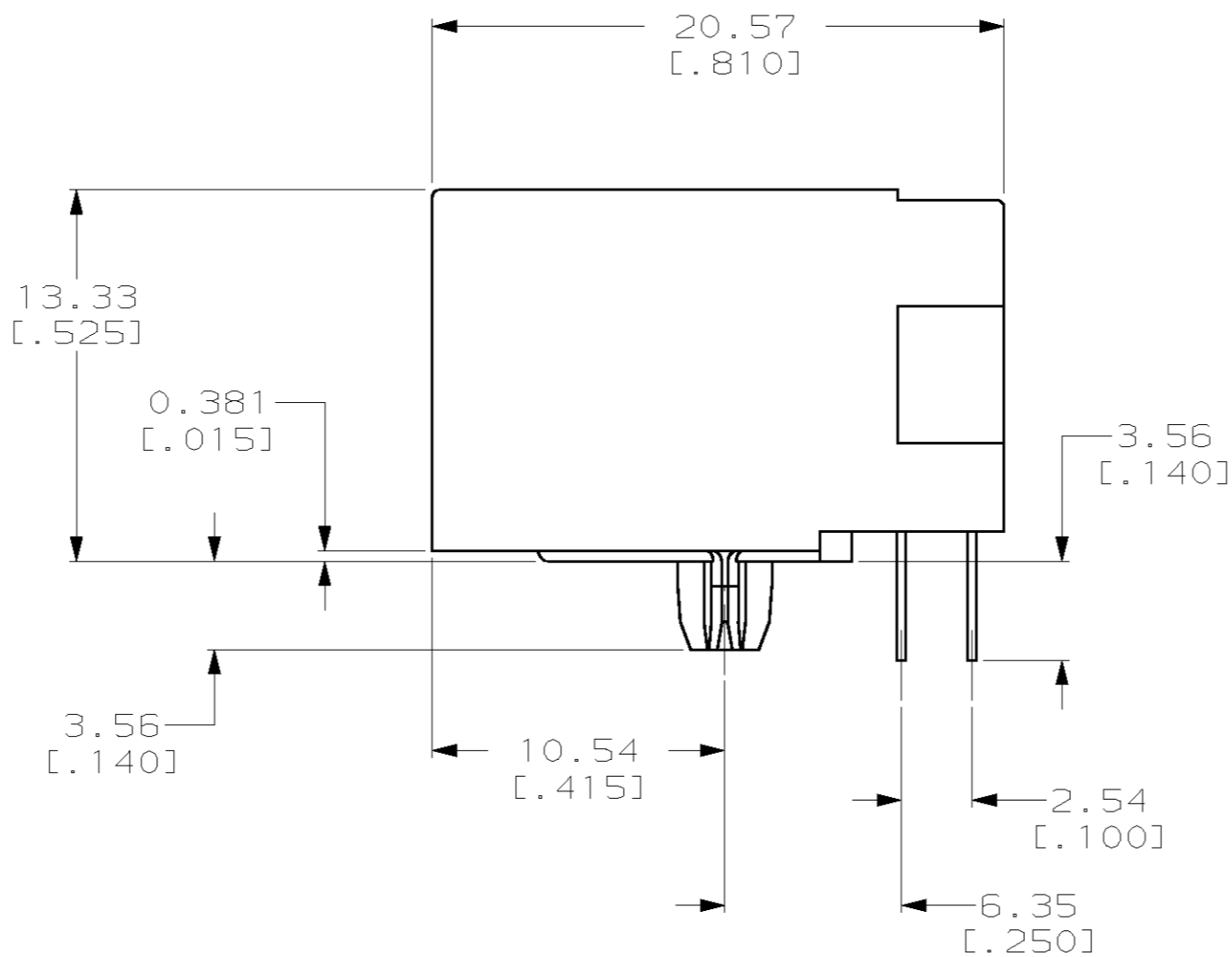
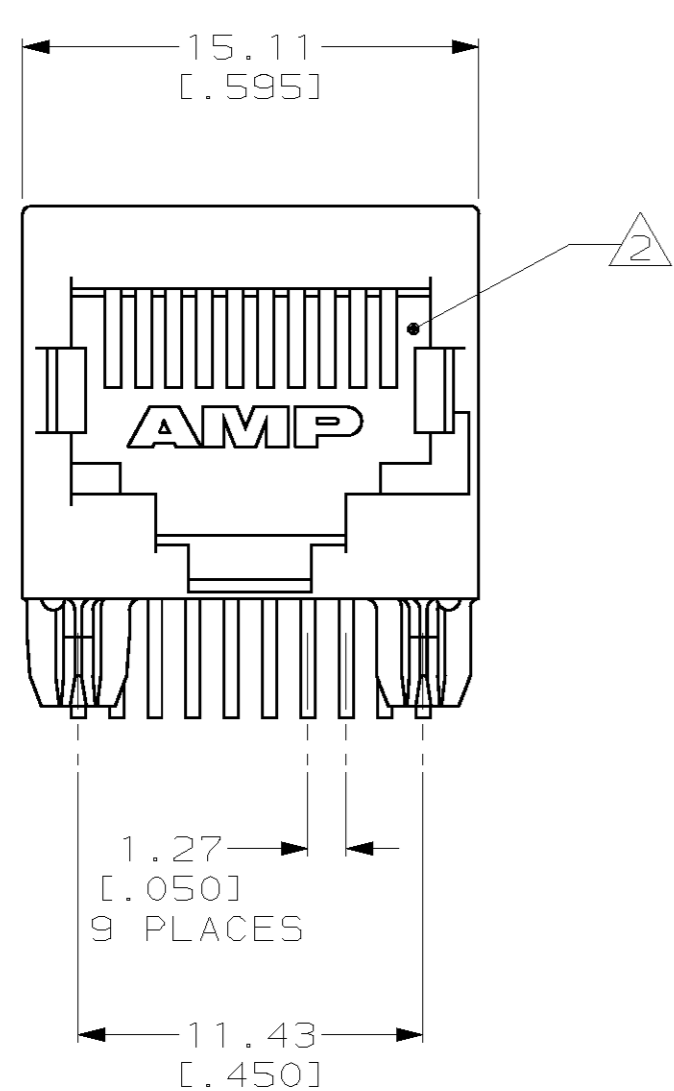
Email & Skype: info@chipsmall.com Web: www.chipsmall.com

Address: A1208, Overseas Decoration Building, #122 Zhenhua RD., Futian, Shenzhen, China

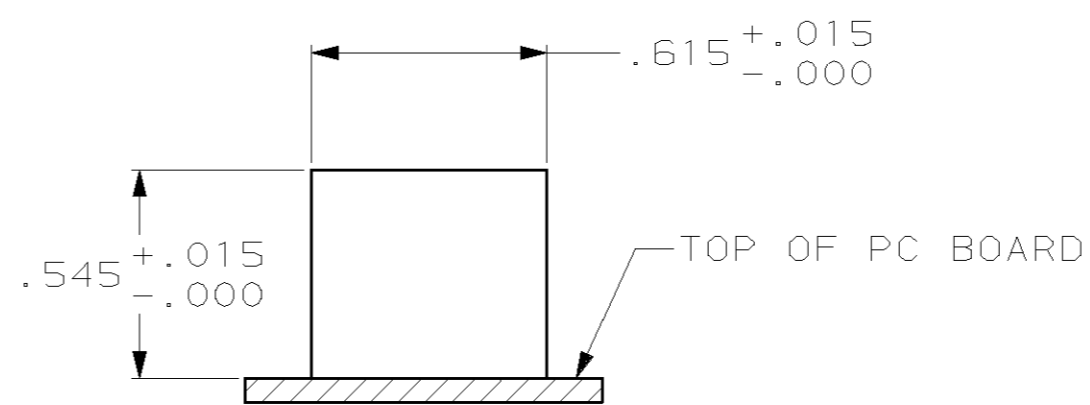
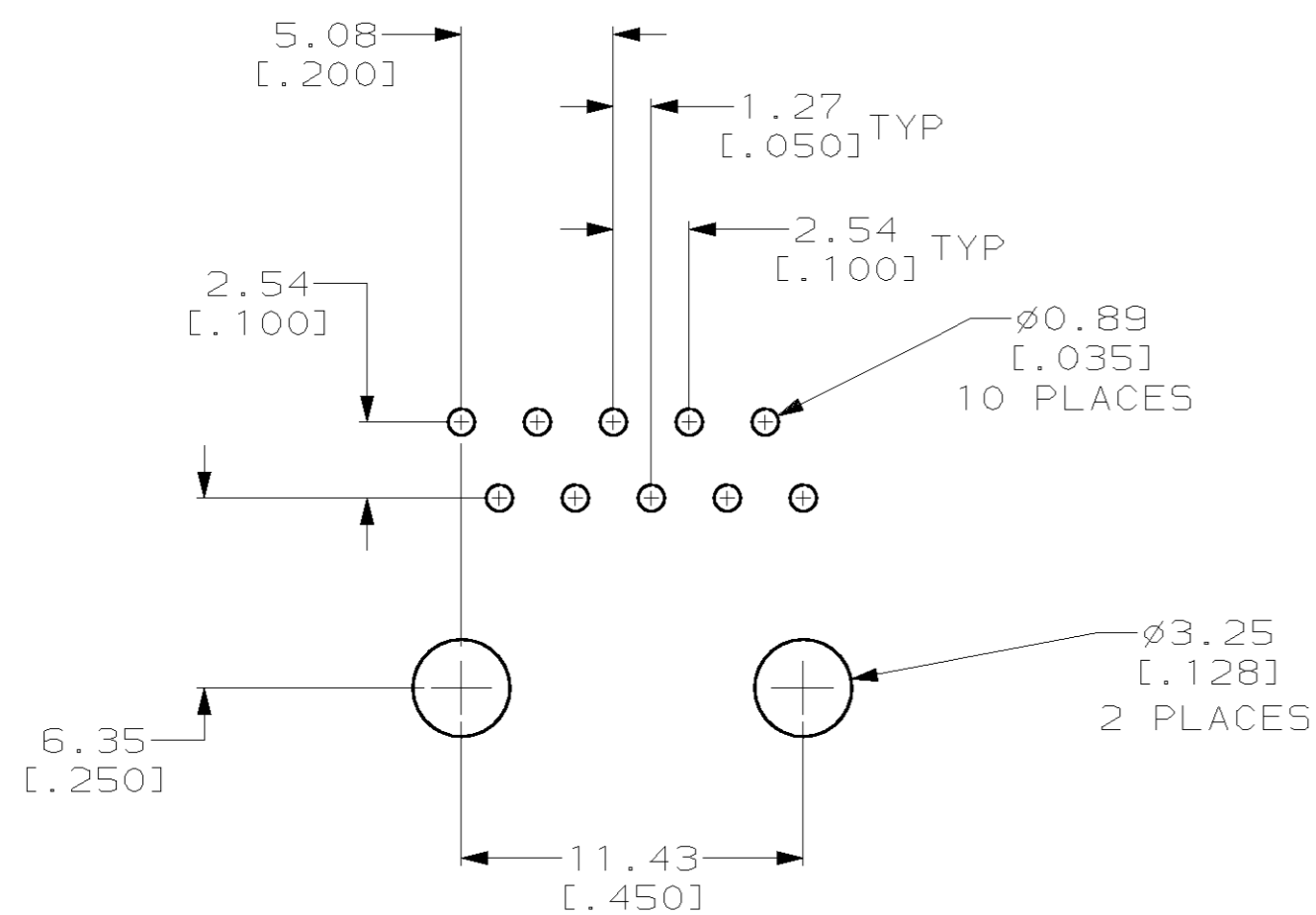


THIS DRAWING IS UNPUBLISHED. RELEASED FOR PUBLICATION .19
 BY AMP INCORPORATED. ALL RIGHTS RESERVED.

LOC	DIST	REVISIONS			
P	LTR	DESCRIPTION	DATE	DWN	APVD
AA	22	C	REVISED; EC 0U1C-0037-99	24AUG99	DLD/CMB



- ① MATERIAL: HOUSING - HTN NYLON, BLACK, IR REFLOW COMPATIBLE, UL 94V-0. TERMINALS - 0.33[.013] THICK PHOS BRONZE PLATED WITH 1.27µm[.000050] MINIMUM THICK HARD GOLD IN LOCALIZED AREA AND 3.81µm[.000150] MINIMUM THICK TIN-LEAD IN SOLDER AREA OVER 1.27µm[.000050] MINIMUM THICK NICKEL UNDERPLATE.
- ② JACK CAVITY CONFORMS TO FCC RULES AND REGULATIONS, PART 68 SUBPART F.
- 3. DIMENSIONS ARE NOMINAL UNLESS OTHERWISE SPECIFIED.



SUGGESTED PANEL CUTOUT

SUGGESTED PC BOARD LAYOUT
 VIEW SHOWN IS TOP OF PC BOARD
 (COMPONENT SIDE)

558066-1
 PART NUMBER

THIS DRAWING IS A CONTROLLED DOCUMENT FOR AMP INCORPORATED. IT IS SUBJECT TO CHANGE AND THE CONTROLLING ENGINEERING ORGANIZATION SHOULD BE CONTACTED FOR THE LATEST REVISION.		DWN S. MAYBERRY 20 JUL 93	AMP Incorporated Harrisburg, PA 17105-3608
DIMENSIONS: mm [INCHES]		CHK B. FOX 03 AUG 93	
TOLERANCES UNLESS OTHERWISE SPECIFIED:		APVD G. REED 03 AUG 93	NAME MODULAR JACK ASSEMBLY, 10 POSITION, SIDE ENTRY, KEYED, LOW PROFILE
0 PLC ±- 1 PLC ±- 2 PLC ±- 3 PLC ±0.13[.005] 4 PLC ±- ANGLES ±- FINISH		PRODUCT SPEC - APPLICATION SPEC -	
MATERIAL		WEIGHT -	SIZE A2
①		CUSTOMER DRAWING	CAGE CODE 00779
		SCALE 4:1	DRAWING NO. C-558066
		SHEET 1 OF 1	REV C

558066