



Chipsmall Limited consists of a professional team with an average of over 10 year of expertise in the distribution of electronic components. Based in Hongkong, we have already established firm and mutual-benefit business relationships with customers from,Europe,America and south Asia,supplying obsolete and hard-to-find components to meet their specific needs.

With the principle of “Quality Parts,Customers Priority,Honest Operation,and Considerate Service”,our business mainly focus on the distribution of electronic components. Line cards we deal with include Microchip,ALPS,ROHM,Xilinx,Pulse,ON,Everlight and Freescale. Main products comprise IC,Modules,Potentiometer,IC Socket,Relay,Connector.Our parts cover such applications as commercial,industrial, and automotives areas.

We are looking forward to setting up business relationship with you and hope to provide you with the best service and solution. Let us make a better world for our industry!



## Contact us

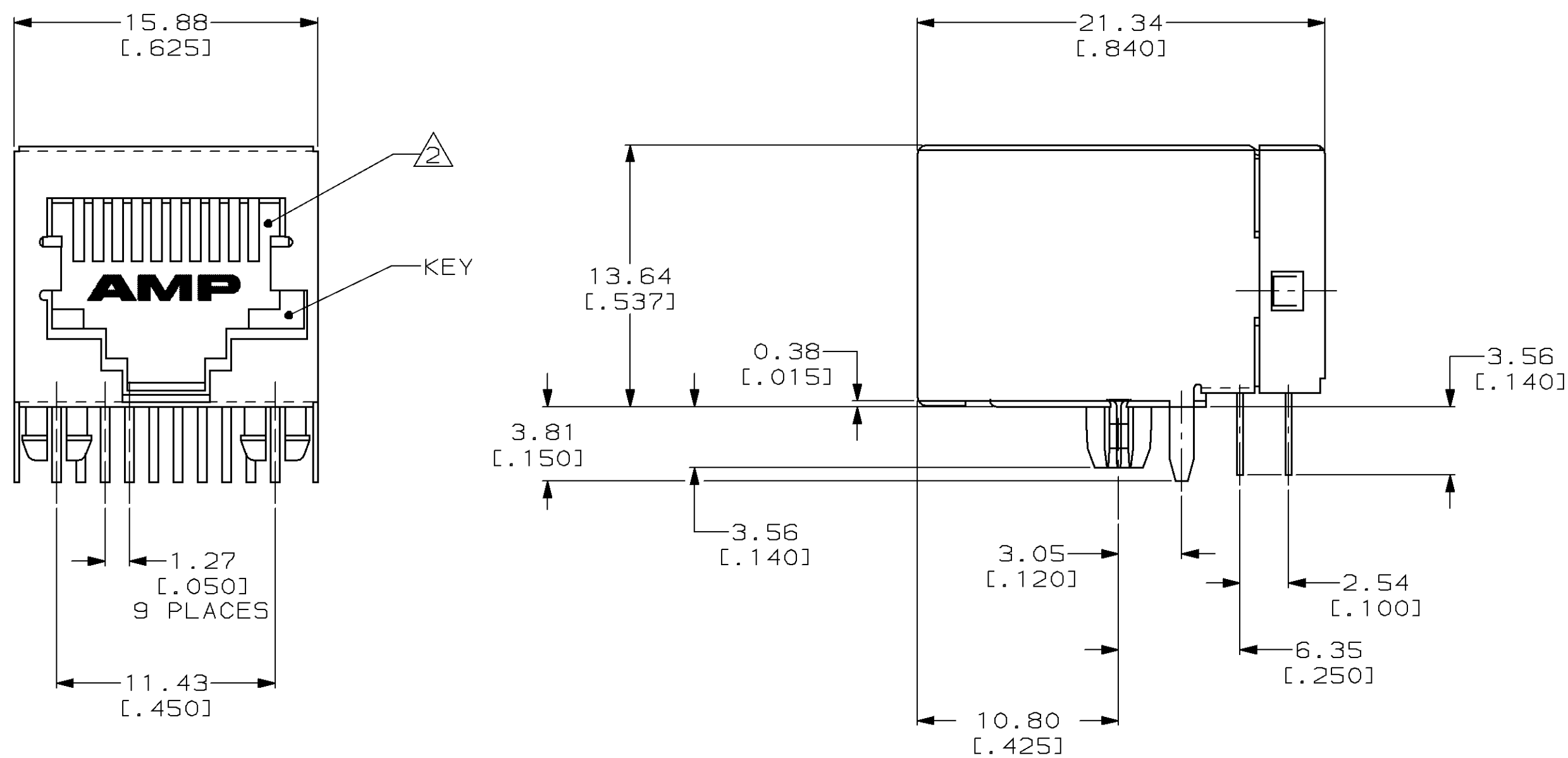
Tel: +86-755-8981 8866 Fax: +86-755-8427 6832

Email & Skype: info@chipsmall.com Web: www.chipsmall.com

Address: A1208, Overseas Decoration Building, #122 Zhenhua RD., Futian, Shenzhen, China



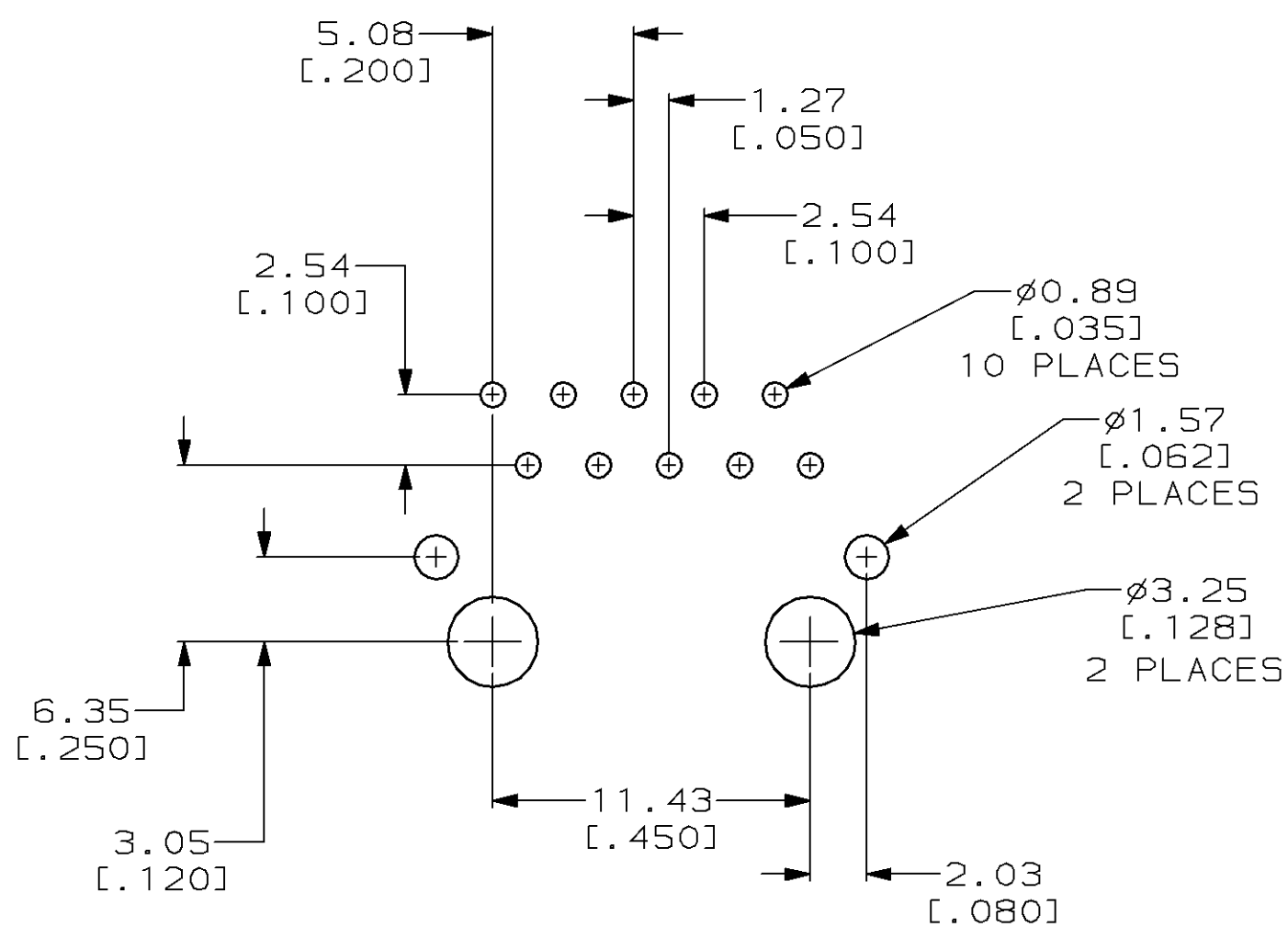
LOC		DIST		P		F		REVISIONS				
AA	22							ZONE	LTR	DESCRIPTION	DATE	APPD
								A		REV; EC 0210-0791-95	06MAY96	DS JT



1 MATERIALS:  
 HOUSING-PCT POLYESTER, BLACK, IR REFLOW COMPATIBLE, UL 94V-0.  
 TERMINALS 0.33 [.013] THICK PHOS BRONZE PLATED WITH 1.27μm [.000050] HARD GOLD IN LOCALIZED AREA AND 3.81μm [.000150] THICK TIN-LEAD IN SOLDER AREA OVER 1.27μm [.000050] MINIMUM THICK NICKEL UNDERPLATE.  
 SHIELD-0.25 [.010] THICK COPPER ALLOY PLATED WITH 2.03μm [.000080] MINIMUM TIN-LEAD OVER 2.54μm [.000100] MINIMUM COPPER.

2 JACK CAVITY CONFORMS TO FCC RULES AND REGULATIONS, PART 68 SUBPART F.

3. DIMENSIONS ARE NOMINAL UNLESS OTHERWISE SPECIFIED.



SUGGESTED PC BOARD LAYOUT  
 VIEW SHOWN IS TOP (COMPONENT SIDE) OF PC BOARD

THIS DRAWING IS A CONTROLLED DOCUMENT FOR AMP INCORPORATED. IT IS SUBJECT TO CHANGE AND THE CONTROLLING ENGINEERING ORGANIZATION SHOULD BE CONTACTED FOR THE LATEST REVISION.

DO NOT SCALE PRINT. UNLESS SPECIFIED DIMENSIONS IN mm [INCHES] TOLERANCES ON : 2 PLC DEC ± - 3 PLC DEC ± 0.13 [.005] ANGLES ± -		DR 7-21-93 S.MAYBERRY		AMP Incorporated Harrisburg, PA 17105-3608	
MATERIAL		CHK 8-3-93 B.FOX			
FINISH		APPD 8-3-93 G.REED		NAME MODULAR JACK ASSEMBLY, 10 POSITION, KEYED, SIDE ENTRY, LOW PROFILE, FULLY SHIELDED, PRINTED CIRCUIT GROUND	
1 1		APPD 8-3-93 M.MILLER		SIZE C 00779	
1 1		PRODUCT SPEC -		DRAWING NO C=558068	
1 1		APPLICATION SPEC -		SCALE 4:1	
1 1		WEIGHT -		SHEET 1 OF 1	