



Chipsmall Limited consists of a professional team with an average of over 10 year of expertise in the distribution of electronic components. Based in Hongkong, we have already established firm and mutual-benefit business relationships with customers from,Europe,America and south Asia,supplying obsolete and hard-to-find components to meet their specific needs.

With the principle of “Quality Parts,Customers Priority,Honest Operation,and Considerate Service”,our business mainly focus on the distribution of electronic components. Line cards we deal with include Microchip,ALPS,ROHM,Xilinx,Pulse,ON,Everlight and Freescale. Main products comprise IC,Modules,Potentiometer,IC Socket,Relay,Connector.Our parts cover such applications as commercial,industrial, and automotives areas.

We are looking forward to setting up business relationship with you and hope to provide you with the best service and solution. Let us make a better world for our industry!



Contact us

Tel: +86-755-8981 8866 Fax: +86-755-8427 6832

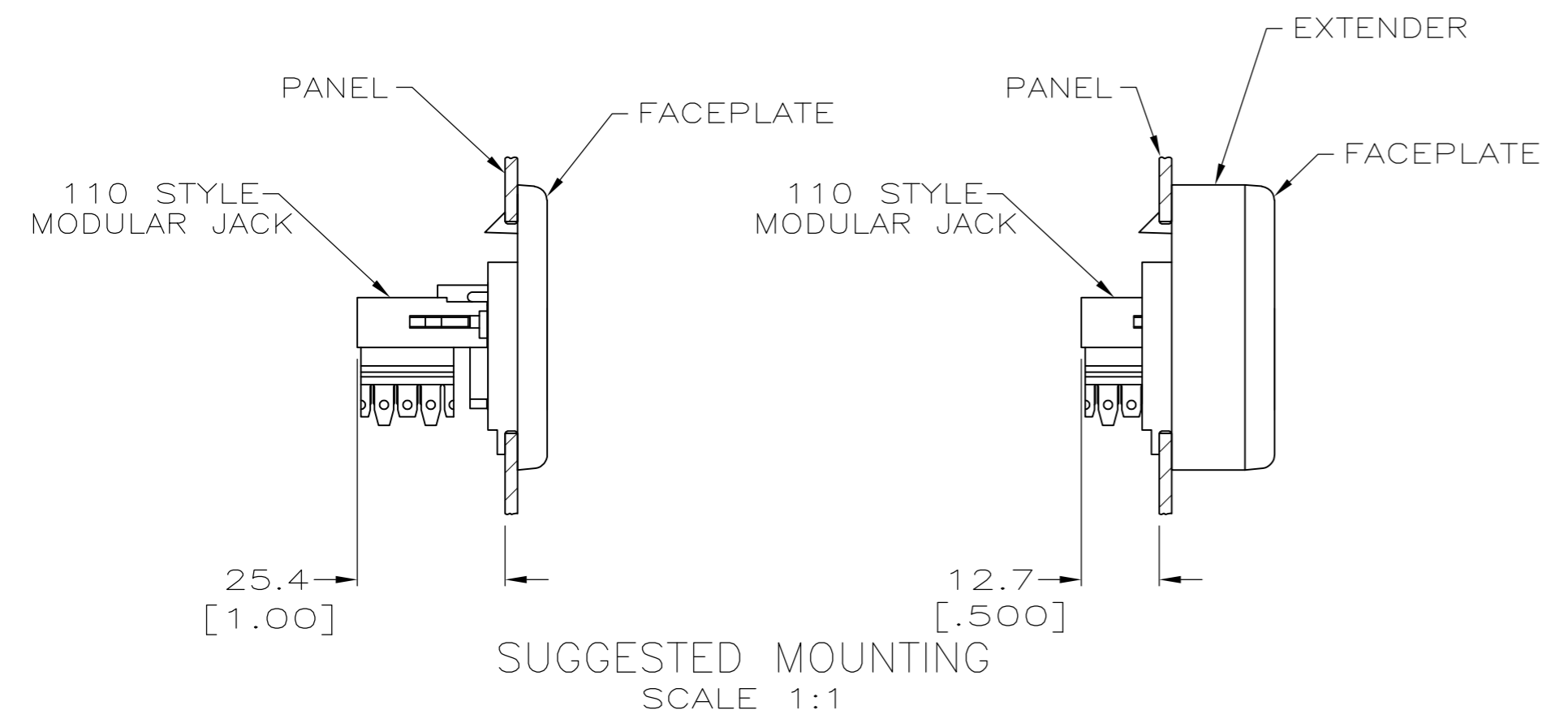
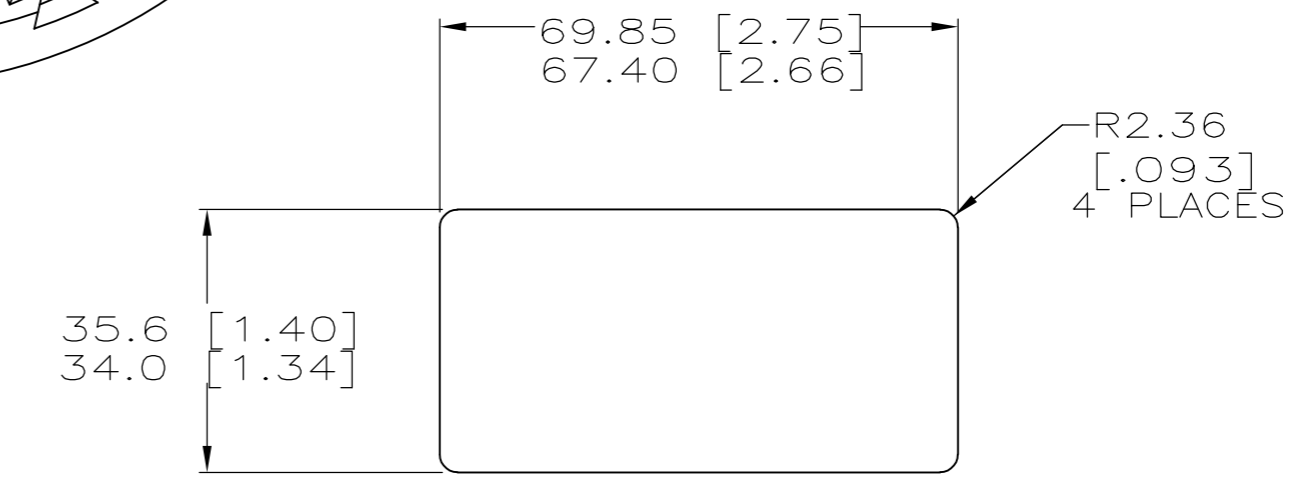
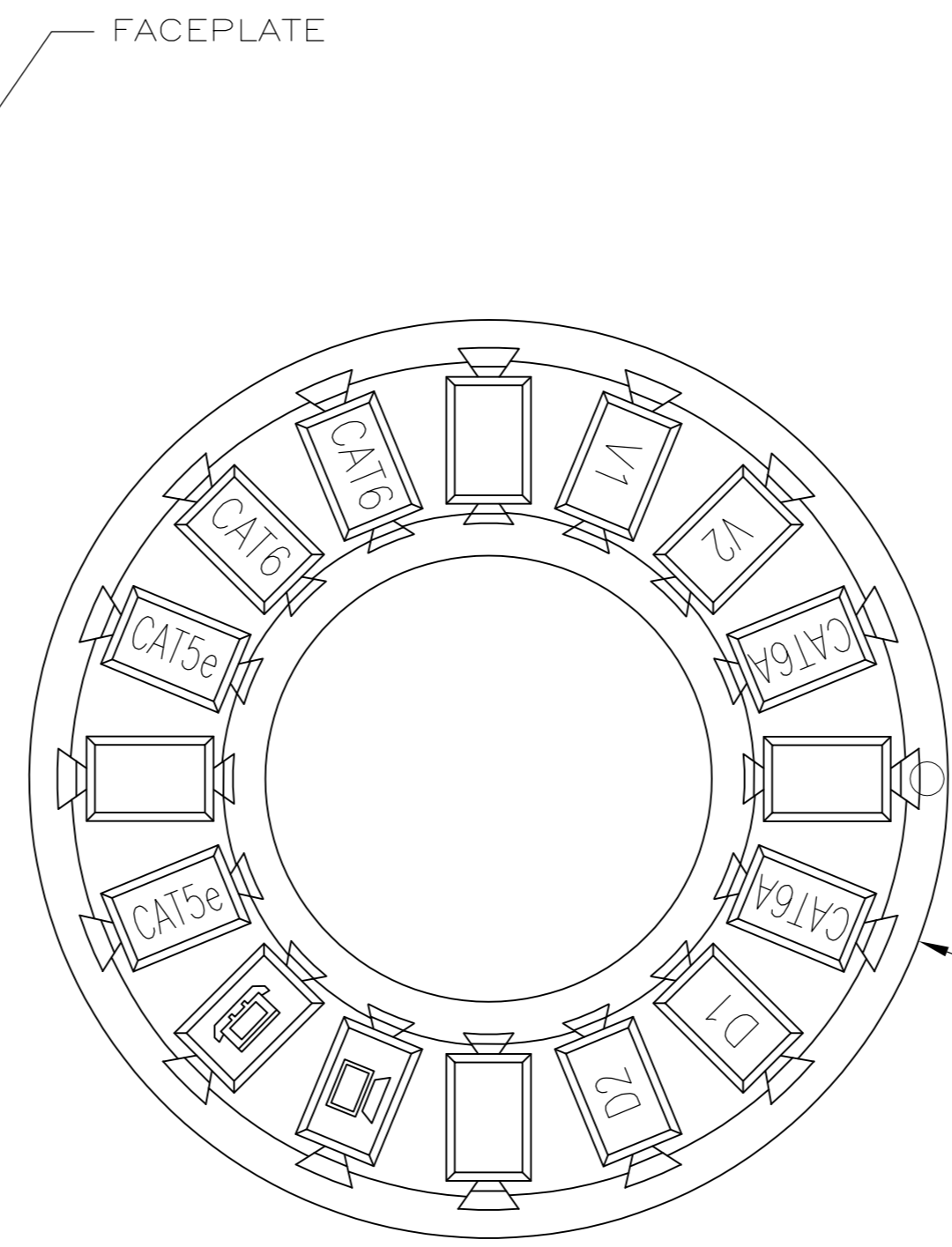
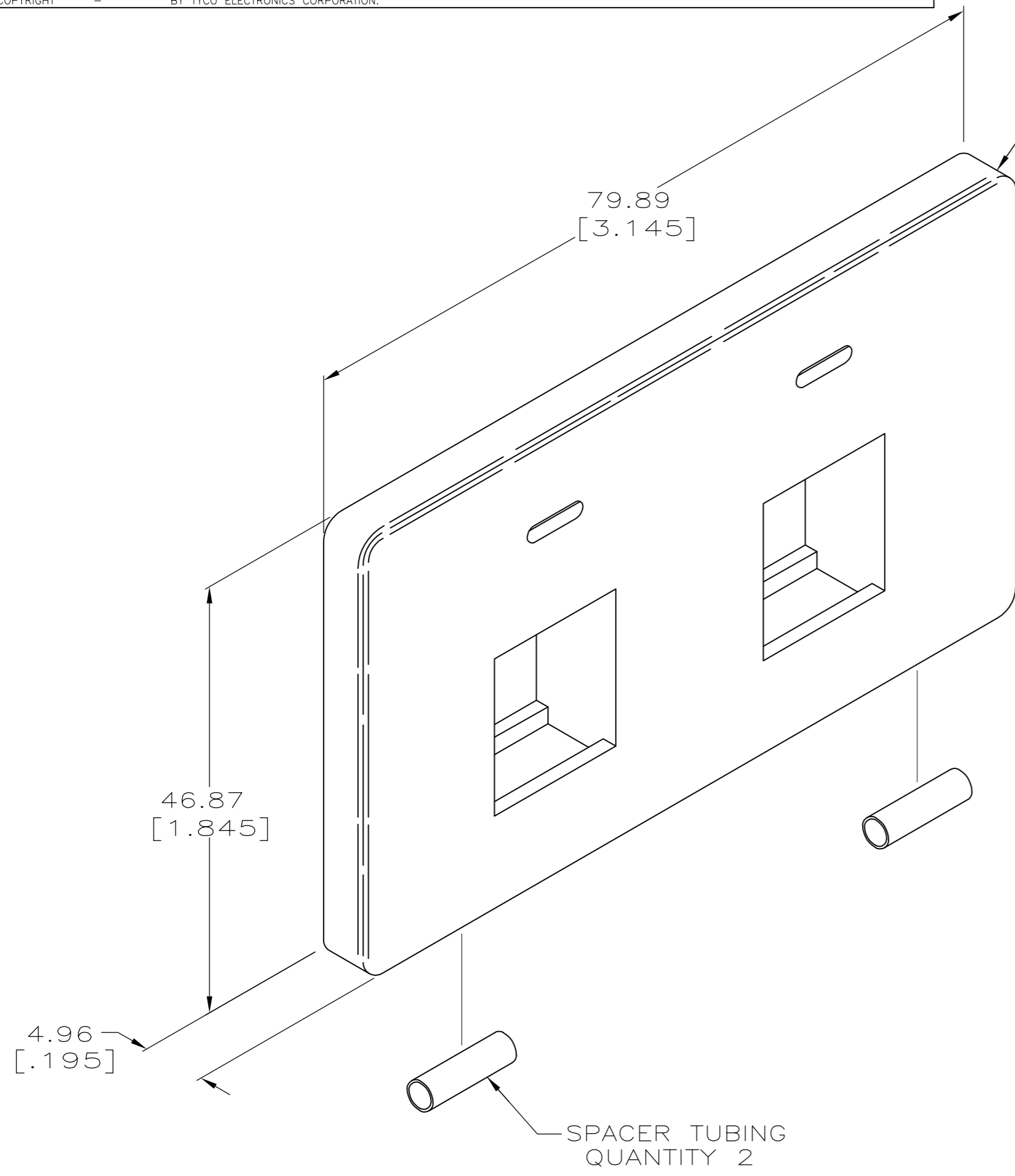
Email & Skype: info@chipsmall.com Web: www.chipsmall.com

Address: A1208, Overseas Decoration Building, #122 Zhenhua RD., Futian, Shenzhen, China



THIS DRAWING IS UNPUBLISHED. RELEASED FOR PUBLICATION
 © COPYRIGHT BY TYCO ELECTRONICS CORPORATION. ALL INTERNATIONAL RIGHTS RESERVED.

LOC	DIST	REVISIONS					
		P	LTR	DESCRIPTION	DATE	DWN	APVD
HM	00		E	REV ECO-09-023706	22OCT09	LH	RA
			F	REV ECO-10-011451	01JUN2010	LH	RA



- 1 MATERIAL: FACEPLATE- POLYCARBONATE MOLDING COMPOUND, SEE TABLE FOR COLORS. ICON- ABS MOLDING COMPOUND, BLACK. SPACER TUBE- POLYOLEFIN, BLACK.
- 2 DIMENSIONS ARE MAXIMUM UNLESS OTHERWISE SPECIFIED.
- 3. THE FACEPLATE CAN BE INSTALLED INTO PANELS WHICH ARE 2.03 [.080] TO 1.14 [.045] THICK.

NEMA GRAY	558106-4
LT ALMOND	558106-2
BLACK	558106-1
COLOR	PART NO.

THIS DRAWING IS A CONTROLLED DOCUMENT.		DWN M.D.BYERLY 6-30-93	Tyco Electronics Corporation Harrisburg, PA 17105-3608	
DIMENSIONS: MM [INCHES]		CHK C.WHITT 8-4-93		
TOLERANCES UNLESS OTHERWISE SPECIFIED:		APVD -	NAME	
0 PLC ± -	1	PRODUCT SPEC -	FACEPLATE KIT, 2 PORT, 110CONNECT, FLUSH MOUNT FLEX MODE	
2 PLC ± -	2	APPLICATION SPEC -	SIZE A2	CAGE CODE 00779
3 PLC ± -	3	408-3317	DRAWING NO C=558106	RESTRICTED TO -
4 PLC ± -	4	WEIGHT -	SCALE 2:1	SHEET 1 of 1
ANGLES ± -	1	CUSTOMER DRAWING	REV F	
FINISH -				