



Chipsmall Limited consists of a professional team with an average of over 10 year of expertise in the distribution of electronic components. Based in Hongkong, we have already established firm and mutual-benefit business relationships with customers from,Europe,America and south Asia,supplying obsolete and hard-to-find components to meet their specific needs.

With the principle of “Quality Parts,Customers Priority,Honest Operation,and Considerate Service”,our business mainly focus on the distribution of electronic components. Line cards we deal with include Microchip,ALPS,ROHM,Xilinx,Pulse,ON,Everlight and Freescale. Main products comprise IC,Modules,Potentiometer,IC Socket,Relay,Connector.Our parts cover such applications as commercial,industrial, and automotives areas.

We are looking forward to setting up business relationship with you and hope to provide you with the best service and solution. Let us make a better world for our industry!



## Contact us

Tel: +86-755-8981 8866 Fax: +86-755-8427 6832

Email & Skype: info@chipsmall.com Web: www.chipsmall.com

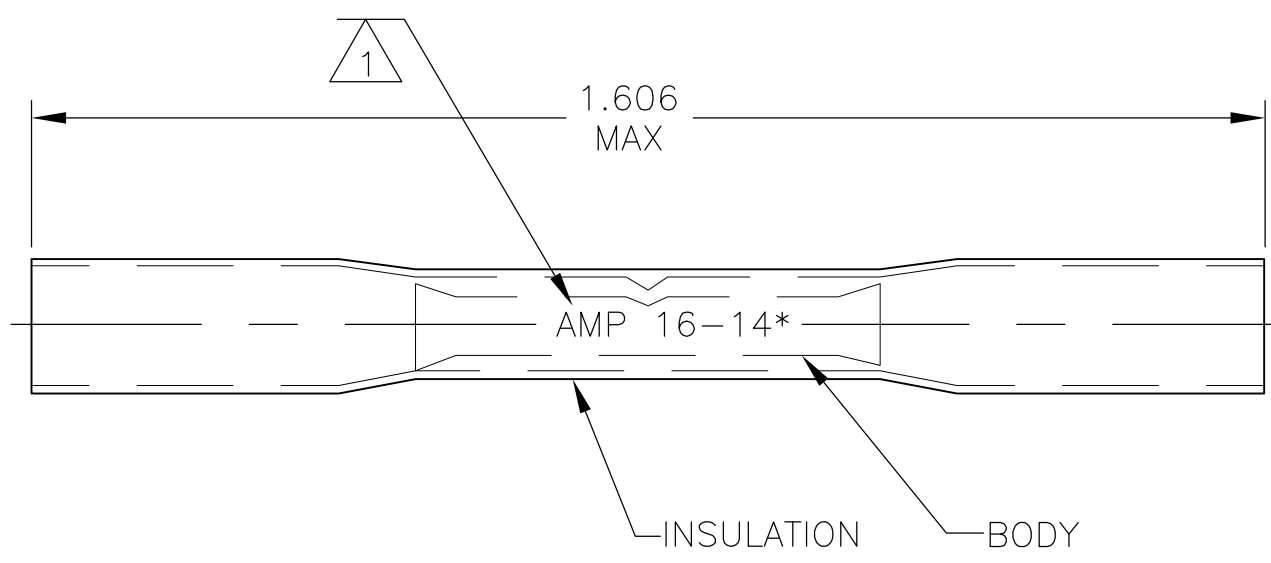
Address: A1208, Overseas Decoration Building, #122 Zhenhua RD., Futian, Shenzhen, China



THIS DRAWING IS UNPUBLISHED. RELEASED FOR PUBLICATION  
 © COPYRIGHT - By - ALL RIGHTS RESERVED.

LOC	DIST	REVISIONS					
		P	LTR	DESCRIPTION	DATE	DWN	APVD
G	14		H1	REVISED PER ECO-11-005027	12MAR11	RK	HMR

- 1 STAMP AMP 16-14\* APPROX AS SHOWN
- 2 WIRE INSULATION .190 MAX DIA.



<b>AMP</b> WIRE RANGE
16-14 AWG STRANDED

2500	ON TAPE, REEL	2-55825-1
50	LOOSE PIECE	8-55825-2
1000	LOOSE PIECE	55825-1
QTY	PACKAGE TYPE	PART NO

<b>AMP INCORPORATED CUSTOMER SERVICE SYSTEMS</b>		<b>MAX RECOMMENDED OPERATING TEMPERATURE:</b> 125° C MAX
FOR ADDITIONAL PRODUCT INFORMATION OR COPIES OF DRAWINGS AND TECHNICAL DOCUMENTS	PRODUCT INFORMATION CENTER 1-800-522-6752	<b>VOLTAGE RATING:</b> 600V MAX (BUILDING WIRING) 1000V MAX (FIXTURES & SIGNS)
FOR APPLICATION TOOLING INFORMATION	TOOLING ASSISTANCE CENTER 1-800-722-1111	<b>CIRCULAR MIL AREA:</b> 1.04-2.62 [2050-5180] STRANDED
FOR ORDER ENTRY	1-800-526-5142	THIS DRAWING IS A CONTROLLED DOCUMENT FOR AMP INCORPORATED. IT IS SUBJECT TO CHANGE AND THE CONTROLLING ENGINEERING ORGANIZATION SHOULD BE CONTACTED FOR THE LATEST REVISION.

THIS DRAWING IS A CONTROLLED DOCUMENT.	
<b>DIMENSIONS:</b> INCHES	<b>TOLERANCES UNLESS OTHERWISE SPECIFIED:</b>
	0 PLC ± - 1 PLC ± - 2 PLC ± .008 3 PLC ± - 4 PLC ± - ANGLES ± -
<b>MATERIAL</b> BODY: ETP COPPER INSULATION: POLYOLEFIN COLOR: BLUE	<b>FINISH</b> EDP TIN PLATED

DWN S S GOULDEN 6/93	<b>STE</b> TE Connectivity			
CHK R HERSEY 6/93				
APVD B BARE 6/93	NAME			
PRODUCT SPEC -	SPLICE, SEALABLE HEAT SHRINKABLE			
APPLICATION SPEC 408-4022	SIZE	CAGE CODE	DRAWING NO	RESTRICTED TO
WEIGHT -	A3	00779	C-55825	-
CUSTOMER DRAWING		SCALE NTS	SHEET 1 OF 1	REV H1