



Chipsmall Limited consists of a professional team with an average of over 10 year of expertise in the distribution of electronic components. Based in Hongkong, we have already established firm and mutual-benefit business relationships with customers from,Europe,America and south Asia,supplying obsolete and hard-to-find components to meet their specific needs.

With the principle of “Quality Parts,Customers Priority,Honest Operation,and Considerate Service”,our business mainly focus on the distribution of electronic components. Line cards we deal with include Microchip,ALPS,ROHM,Xilinx,Pulse,ON,Everlight and Freescale. Main products comprise IC,Modules,Potentiometer,IC Socket,Relay,Connector.Our parts cover such applications as commercial,industrial, and automotives areas.

We are looking forward to setting up business relationship with you and hope to provide you with the best service and solution. Let us make a better world for our industry!



## Contact us

Tel: +86-755-8981 8866 Fax: +86-755-8427 6832

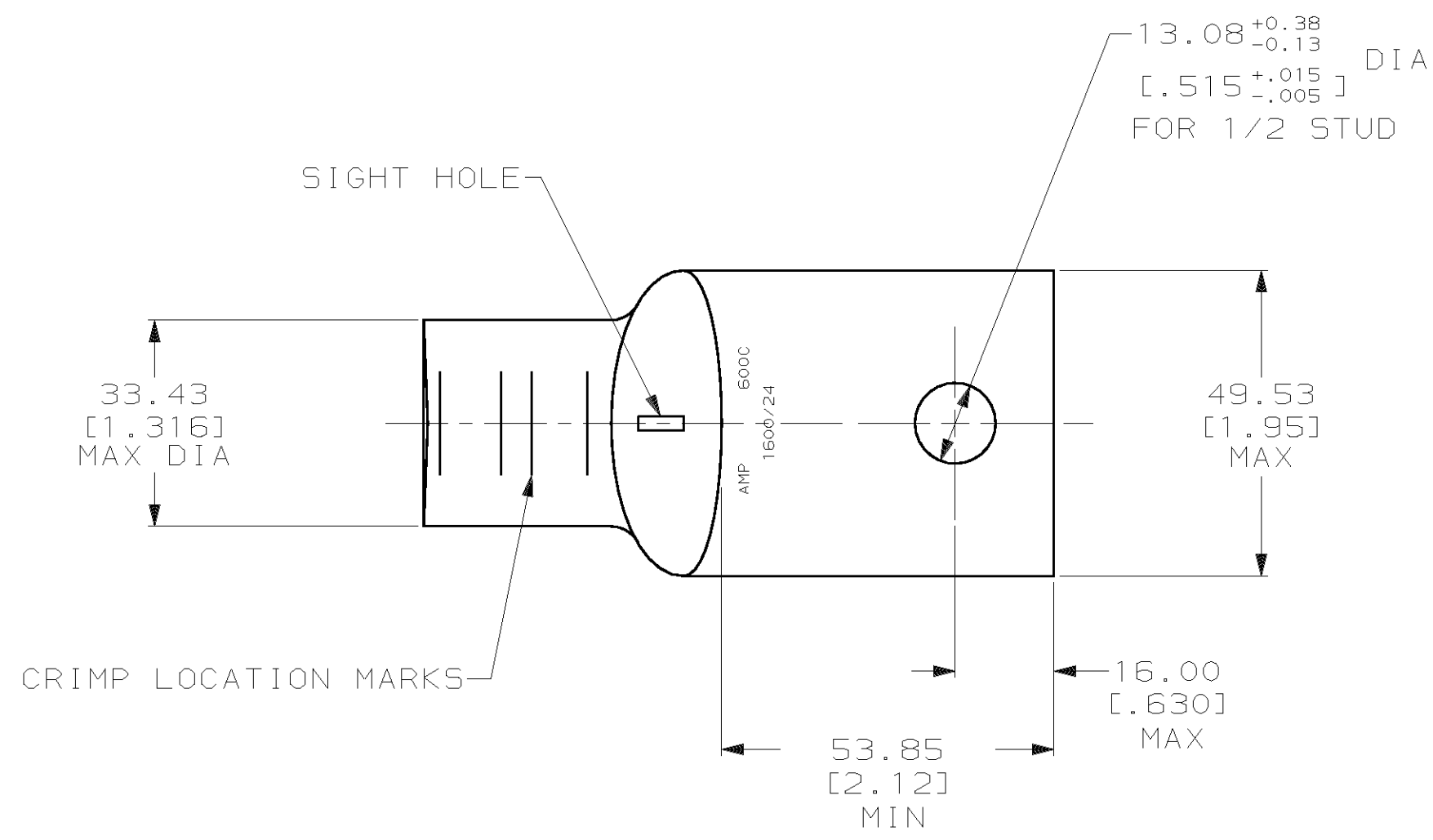
Email & Skype: info@chipsmall.com Web: www.chipsmall.com

Address: A1208, Overseas Decoration Building, #122 Zhenhua RD., Futian, Shenzhen, China

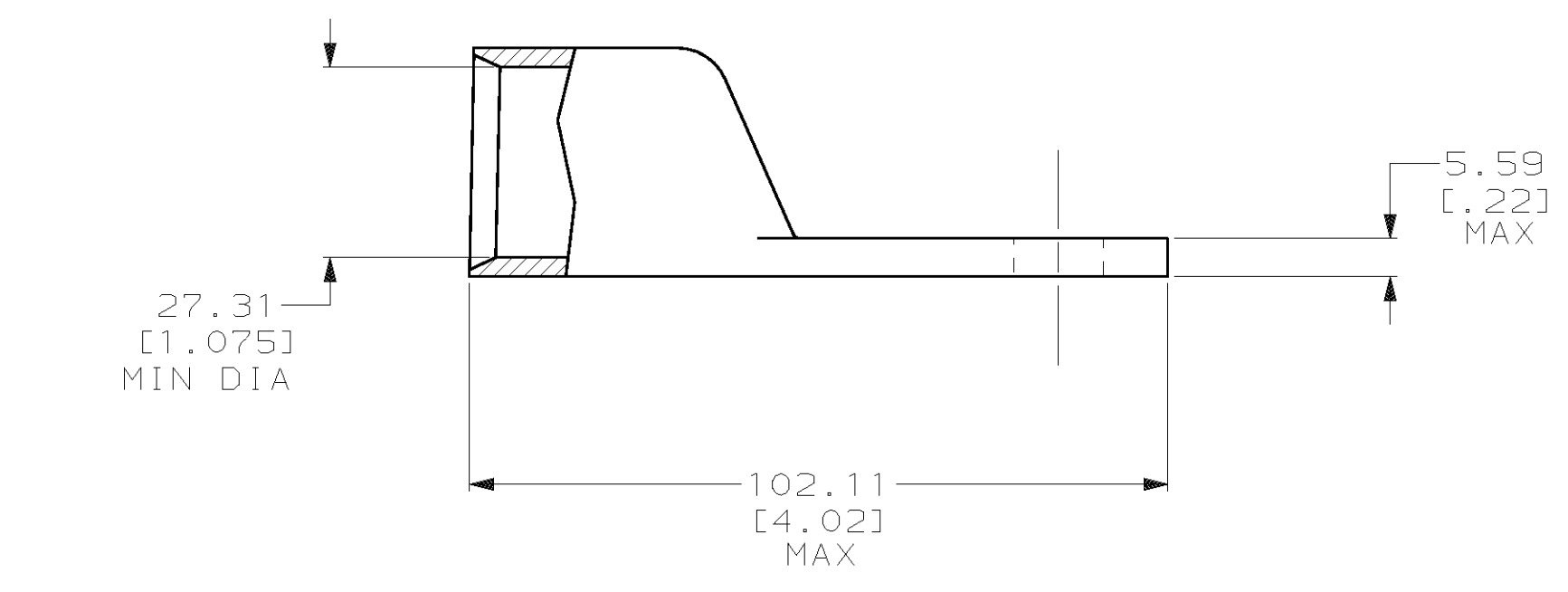


THIS DRAWING IS UNPUBLISHED. RELEASED FOR PUBLICATION, 19 .  
 © COPYRIGHT 19 BY AMP INCORPORATED. ALL INTERNATIONAL RIGHTS RESERVED.

LOC		DIST		REVISIONS				DATE	APPD
G	86	P	F	ZONE	LTR	DESCRIPTION	JR/MS	07OCT02	
				A		REV PE R0G3A-0561-01			



1 CIRCULAR MIL RANGE: 550-650 MCM



THIS DRAWING IS A CONTROLLED DOCUMENT FOR AMP INCORPORATED. IT IS SUBJECT TO CHANGE AND THE CONTROLLING ENGINEERING ORGANIZATION SHOULD BE CONTACTED FOR THE LATEST REVISION.

DO NOT SCALE PRINT. UNLESS SPECIFIED DIMENSIONS IN mm [INCHES] TOLERANCES ON : 2 PLC DEC ± 0.50 [.020] 3 PLC DEC ± - ANGLES ± -		DR 7/21/92 DK SCHRUM CHK 7/21/92 AJ KAUFMAN APPD 7/21/92 WJ VOCKROTH	AMP Incorporated Harrisburg, PA 17105-3608 NAME TERMINAL, RECTANGULAR TONGUE, AMPOWER, WIRE SIZE: 304.0mm <sup>2</sup> [600] MCM	
MATERIAL COPPER ASTM B-75 ANNEALED	APPD 7/21/92 CR RHOADS PRODUCT SPEC -			
FINISH TIN PLATE 0.00254 [.000100] MIN THK PER MIL-T-10727	APPLICATION SPEC -	WEIGHT -	SIZE 00779	DRAWING NO =55842
			SCALE 1:1	SHEET 1 OF 1

55842-1  
 PART NO