



Chipsmall Limited consists of a professional team with an average of over 10 year of expertise in the distribution of electronic components. Based in Hongkong, we have already established firm and mutual-benefit business relationships with customers from,Europe,America and south Asia,supplying obsolete and hard-to-find components to meet their specific needs.

With the principle of “Quality Parts,Customers Priority,Honest Operation,and Considerate Service”,our business mainly focus on the distribution of electronic components. Line cards we deal with include Microchip,ALPS,ROHM,Xilinx,Pulse,ON,Everlight and Freescale. Main products comprise IC,Modules,Potentiometer,IC Socket,Relay,Connector.Our parts cover such applications as commercial,industrial, and automotives areas.

We are looking forward to setting up business relationship with you and hope to provide you with the best service and solution. Let us make a better world for our industry!



Contact us

Tel: +86-755-8981 8866 Fax: +86-755-8427 6832

Email & Skype: info@chipsmall.com Web: www.chipsmall.com

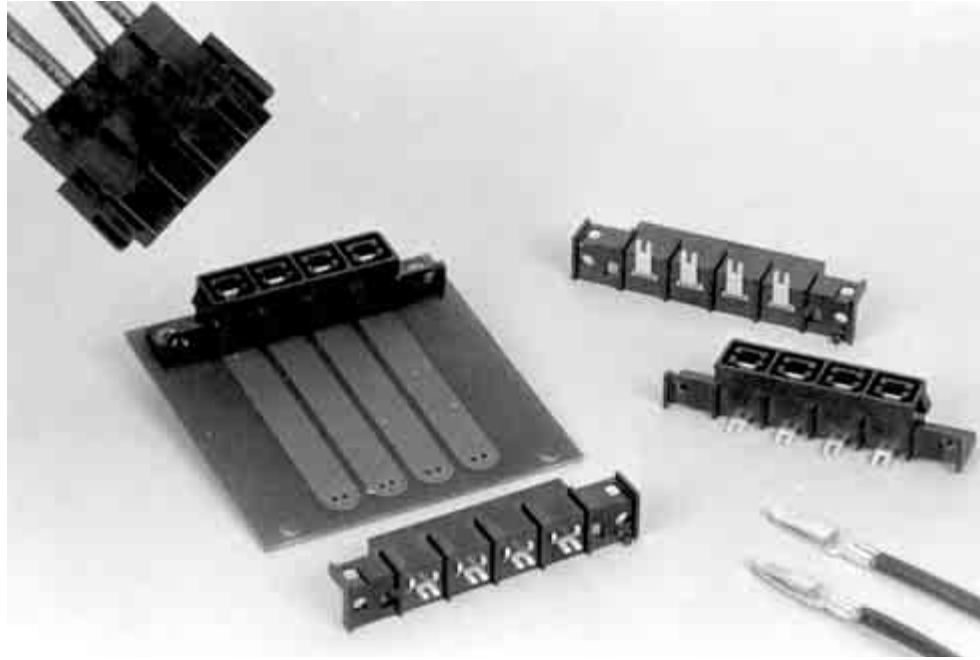
Address: A1208, Overseas Decoration Building, #122 Zhenhua RD., Futian, Shenzhen, China



AMPINNERGY Wire-To-Board Connectors

Product Facts

- **Ratings: 600 VAC (RMS), current ratings range from 12-35 Amps**
- **Receptacles polarized to plug**
- **Receptacles and plugs available in contact configurations of 2 through 8 positions**
- **Vertical receptacle polarized to PCB**
- **Receptacle contacts have dual solder posts for efficient heat dissipation, low millivolt drop and mechanical strength**
- **Receptacles may be mounted on PCBs .062 to .125 inch thick**
- **Plugs have positive latching to receptacles**
- **Removable crimp contacts latch firmly in plug**
- **Plugs are one-piece design**
- **Two ranges of crimped contacts accommodate either 10-12 AWG or 14-16-18 AWG conductors**
- **Recognized under the Component Program of Underwriters Laboratories Inc., File No. E28476**
- **Certified by Canadian Standards Association, File No. LR7189-239**



AMPINNERGY Wire-To-Board (WTB) Connectors

Connectors provide a convenient and efficient means of delivering up to 600 VAC to component printed circuit boards and other power distribution devices in computers and peripherals, telephone systems and appliances. The WTB connectors also have automotive and industrial applications.

Receptacles

The AMPINNERGY WTB connector receptacles can be installed on pc boards varying in thickness from .062 inch to .125 inch. A polarizing pin is provided on the vertical receptacle assembly to aid in proper positioning on the pc board. Both the vertical and right-angle assemblies are polarized for accurate mating to the plug assemblies. The receptacle

assemblies are available in contact configurations ranging from two to eight positions.

Plugs

The single piece plug housings are available in contact configurations to mate with the receptacles. The plug is equipped with positive latches to allow full and more secure mating to the respective receptacle.

A make-first/break-last feature is designed into position 1 of the plug assemblies to provide grounding protection.

Contacts

The crimp contacts will accommodate either 10-12 AWG or 14-16-18 AWG conductors. The contacts latch firmly within the plug housing.

Technical Documents

Product Specification
108-1349 AMPINNERGY WTB Connectors

Application Specification
114-6044 AMPINNERGY WTB Connectors

Instruction Sheets
408-3236 Installation of AMPINNERGY WTB Connectors
408-3198 Inspection of AMPINNERGY Contacts

AMPINNERGY Wire-To-Board Connectors (Continued)

Vertical PCB Receptacles

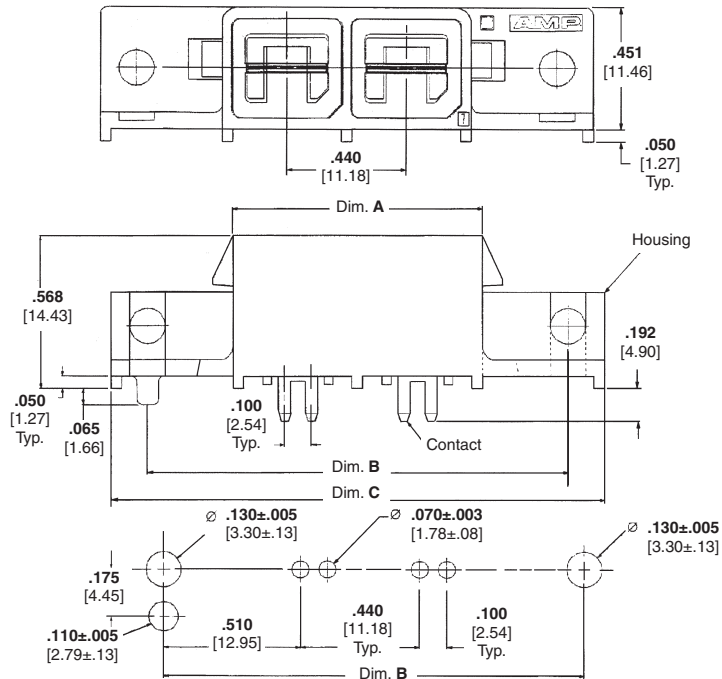
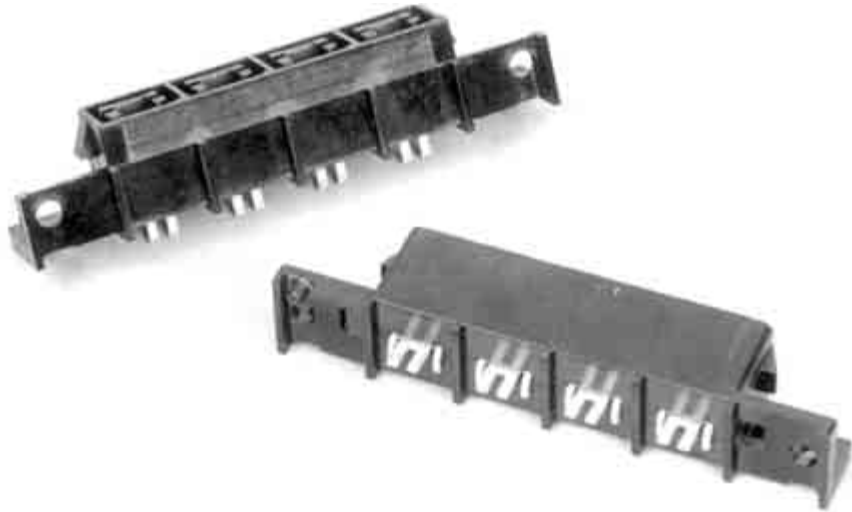
Product Facts

- Withstands vapor phase, infrared and wave soldering processes
- .040 inch minimum standoff to PCB
- Polarized to PCB; to plug
- Contact centerline spacing: .440 inch
- Overall height on PCB: .600 inch
- Fits PCB thickness .062 through .125 inch
- Contacts have dual solder posts for efficient heat dissipation, low millivolt drop and mechanical strength
- Positive latching to mating plug

Material and Finish

Housing — Polyphenylene Sulfide, Black, 94V-0

Contacts — Tin Plated Copper Alloy



PCB Thickness — .062-.125 inch

| No. of Positions | Dimensions | | | Receptacle Part Numbers |
|------------------|---------------|----------------|----------------|-------------------------|
| | A | B | C | |
| 2 | .93 23.50 | 1.56 39.62 | 1.84 46.61 | 556881-2 |
| 3 | 1.37 34.68 | 2.00 50.80 | 2.28 57.79 | 556881-3 |
| 4 | 1.81 45.85 | 2.44 61.98 | 2.72 68.97 | 556881-4 |
| 5 | 2.25 57.03 | 2.88 73.15 | 3.16 80.14 | 556881-5 |
| 6 | 2.69 68.20 | 3.32 84.33 | 3.60 91.32 | 556881-6 |
| 7 | 3.13 79.38 | 3.76 95.50 | 4.04 102.49 | 556881-7 |
| 8 | 3.57 90.56 | 4.20 106.68 | 4.48 113.67 | 556881-8 |

PCB Thickness — .250 inch

| No. of Positions | Receptacle Part Numbers |
|------------------|-------------------------|
| 4 | 558574-1 |
| 6 | 558084-1 |

Note: All part numbers are RoHS compliant.

AMPINNERGY Wire-To-Board Connectors (Continued)

Right-Angle PCB Receptacles

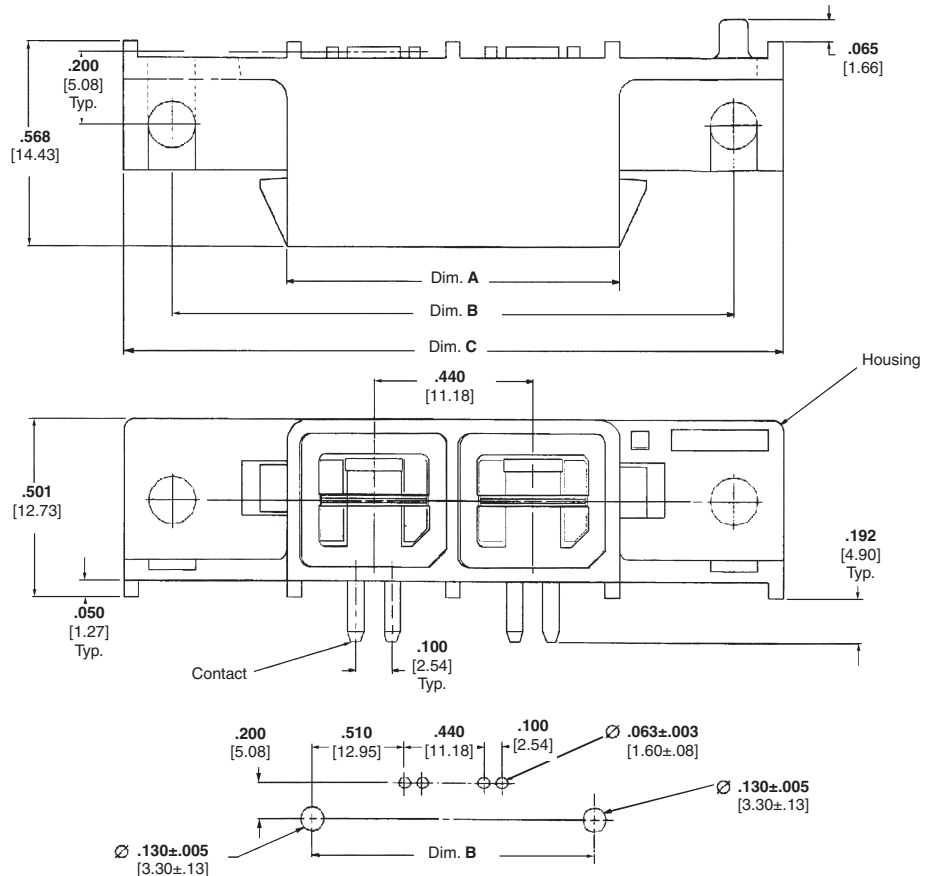
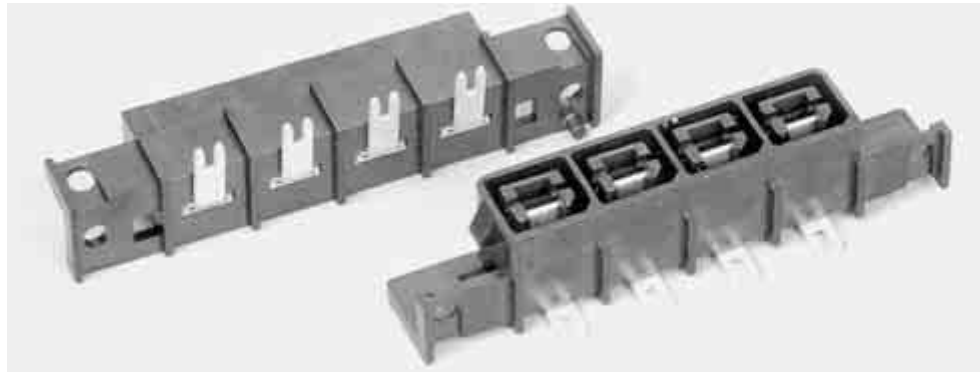
Product Facts

- Withstands vapor phase, infrared and wave soldering processes
- .040 inch minimum standoff to PCB
- Receptacles polarized to plug
- Contact centerline spacing: .440 inch
- Overall height on PCB: .600 inch
- Fits PCB thickness .062 through .125 inch
- Contacts have dual solder posts for efficient heat dissipation, low millivolt drop and mechanical strength
- Positive latching to mating plug

Material and Finish

Housing — Polyphenylene Sulfide, Black, 94V-0

Contacts — Tin Plated Copper Alloy



PCB Thickness — .062-.125 inch

| No. of Positions | Dimensions | | | Receptacle Part Numbers |
|------------------|---------------|----------------|----------------|-------------------------|
| | A | B | C | |
| 2 | .93 23.50 | 1.56 39.62 | 1.84 46.61 | 556882-2 |
| 3 | 1.37 34.68 | 2.00 50.80 | 2.28 57.79 | 556882-3 |
| 4 | 1.81 45.85 | 2.44 61.98 | 2.72 68.97 | 556882-4 |
| 5 | 2.25 57.03 | 2.88 73.15 | 3.16 80.14 | 556882-5 |
| 6 | 2.69 68.20 | 3.32 84.33 | 3.60 91.32 | 556882-6 |
| 7 | 3.13 79.38 | 3.76 95.50 | 4.04 102.49 | 556882-7 |
| 8 | 3.57 90.56 | 4.20 106.68 | 4.48 113.67 | 556882-8 |

Note: All part numbers are RoHS compliant.

AMPINNERGY Wire-To-Board Connectors (Continued)

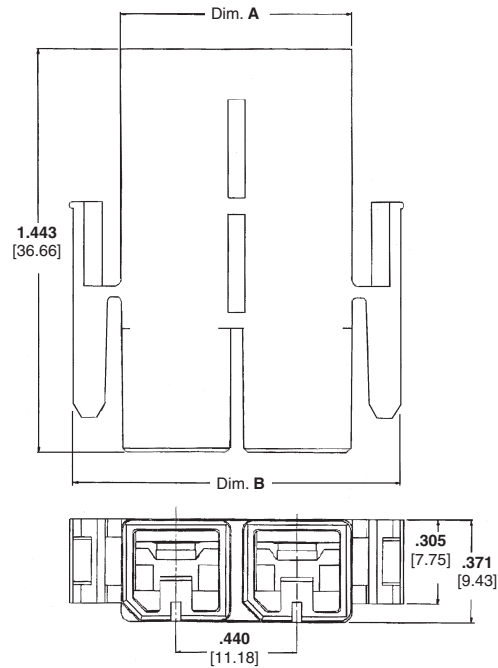
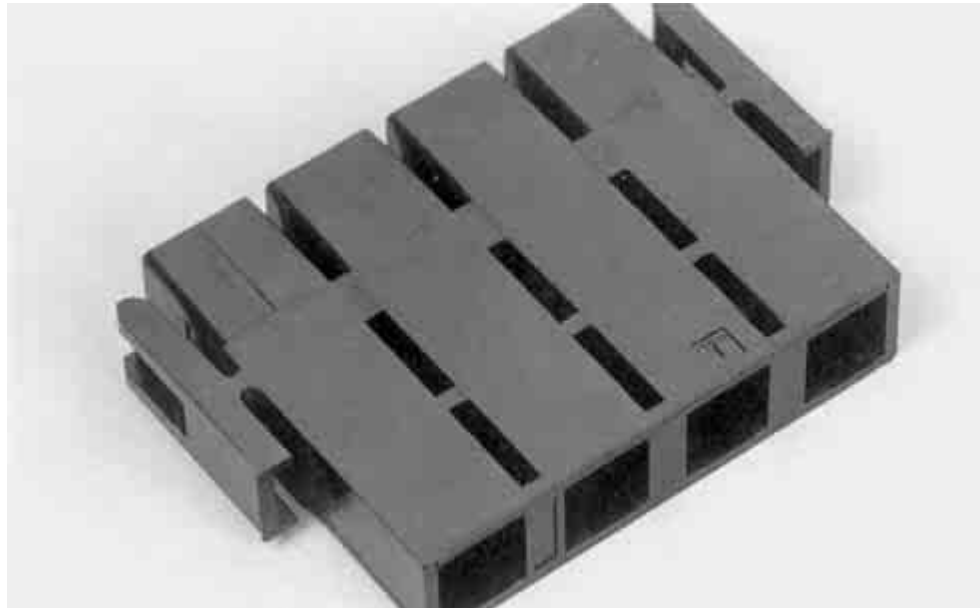
Plug Housings

Product Facts

- One-piece housing
- Polarized to mating receptacles
- Positive latching to mating receptacles
- Accepts crimp contacts
Part Numbers 556880-2 and 556883-1
- Internal latching of crimp contact

Material

Housing — Polycarbonate,
Black, 94V-0



| No. of Positions | Dimensions | | Plug Part Numbers |
|------------------|---------------|---------------|-------------------|
| | A | B | |
| 2 | .85 21.42 | 1.20 30.31 | 556879-2 |
| 3 | 1.29 32.59 | 1.64 41.48 | 556879-3 |
| 4 | 1.73 43.77 | 2.08 52.66 | 556879-4 |
| 5 | 2.17 54.94 | 2.52 63.83 | 556879-5 |
| 6 | 2.61 77.30 | 2.96 75.01 | 556879-6 |
| 7 | 3.05 77.30 | 3.40 86.19 | 556879-7 |
| 8 | 3.49 88.47 | 3.84 97.36 | 556879-8 |

Note: All part numbers are RoHS compliant.

AMPINNERGY Wire-To-Board Connectors (Continued)

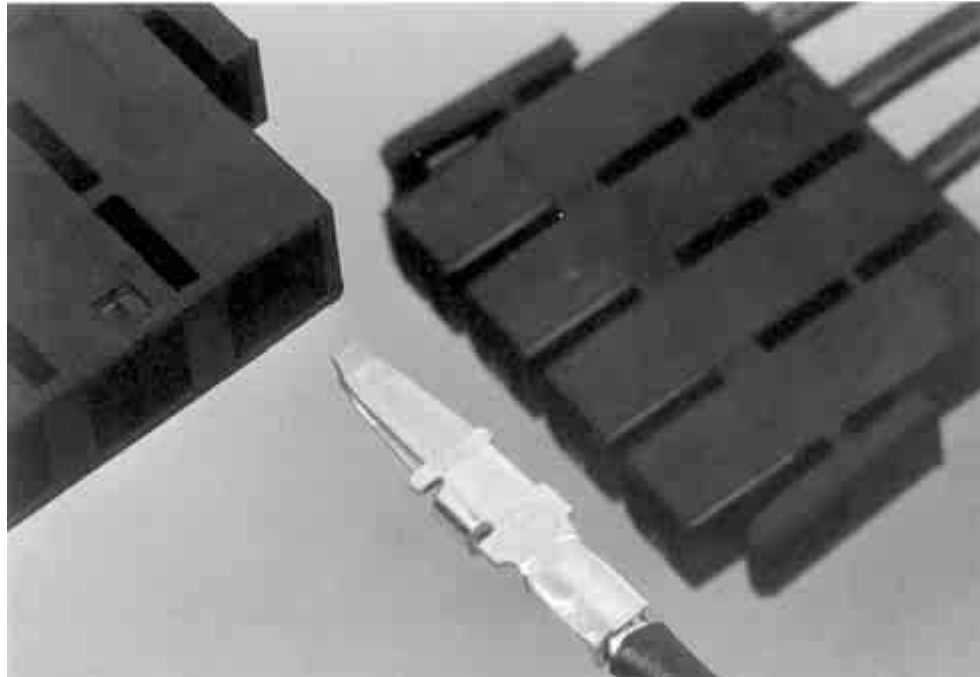
Crimp Contacts

Product Facts

- Contacts are dual beam design

Material and Finish

Contacts—Tin Plated Copper Alloy



Cable Mounted Products

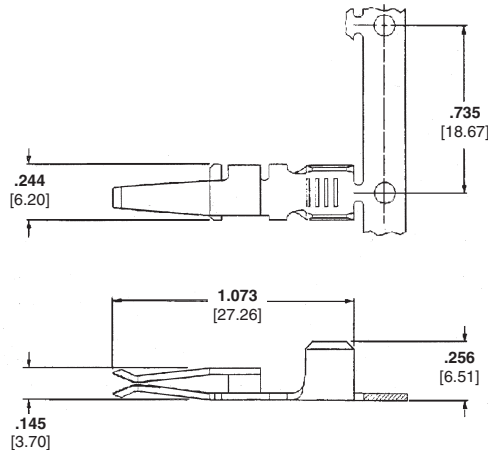
Wire barrel accepts one 10 or 12 AWG stranded copper conductor

- Part Number** 556880-2 Strip
- Part Number** 556880-1 Loose Piece

Application Tooling

Applicator Part Number

- 567256-3 (for Lead Makers)
- 567256-4 (for AMP-O-ELECTRIC Model K Machine)
- 567256-6 (for AMP-O-ELECTRIC Model G Machine)

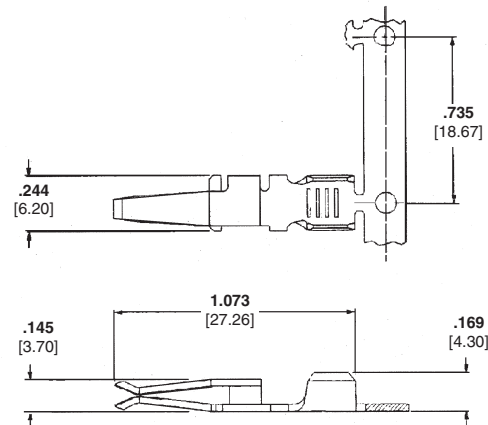


Wire barrel accepts one 14, 16 or 18 AWG stranded copper conductor

- Part Number** 556883-1 Loose Piece
- Part Number** 556883-2 Strip

Application Tooling Part Number

- 69710-1 Hand Tool
- 58492-1 Die Set (14 AWG)
- 58493-1 Die Set (18-16 AWG)
- 91308-1 Extraction Tool



Note: All part numbers are RoHS compliant.