



Chipsmall Limited consists of a professional team with an average of over 10 year of expertise in the distribution of electronic components. Based in Hongkong, we have already established firm and mutual-benefit business relationships with customers from,Europe,America and south Asia,supplying obsolete and hard-to-find components to meet their specific needs.

With the principle of “Quality Parts,Customers Priority,Honest Operation,and Considerate Service”,our business mainly focus on the distribution of electronic components. Line cards we deal with include Microchip,ALPS,ROHM,Xilinx,Pulse,ON,Everlight and Freescale. Main products comprise IC,Modules,Potentiometer,IC Socket,Relay,Connector.Our parts cover such applications as commercial,industrial, and automotives areas.

We are looking forward to setting up business relationship with you and hope to provide you with the best service and solution. Let us make a better world for our industry!



Contact us

Tel: +86-755-8981 8866 Fax: +86-755-8427 6832

Email & Skype: info@chipsmall.com Web: www.chipsmall.com

Address: A1208, Overseas Decoration Building, #122 Zhenhua RD., Futian, Shenzhen, China



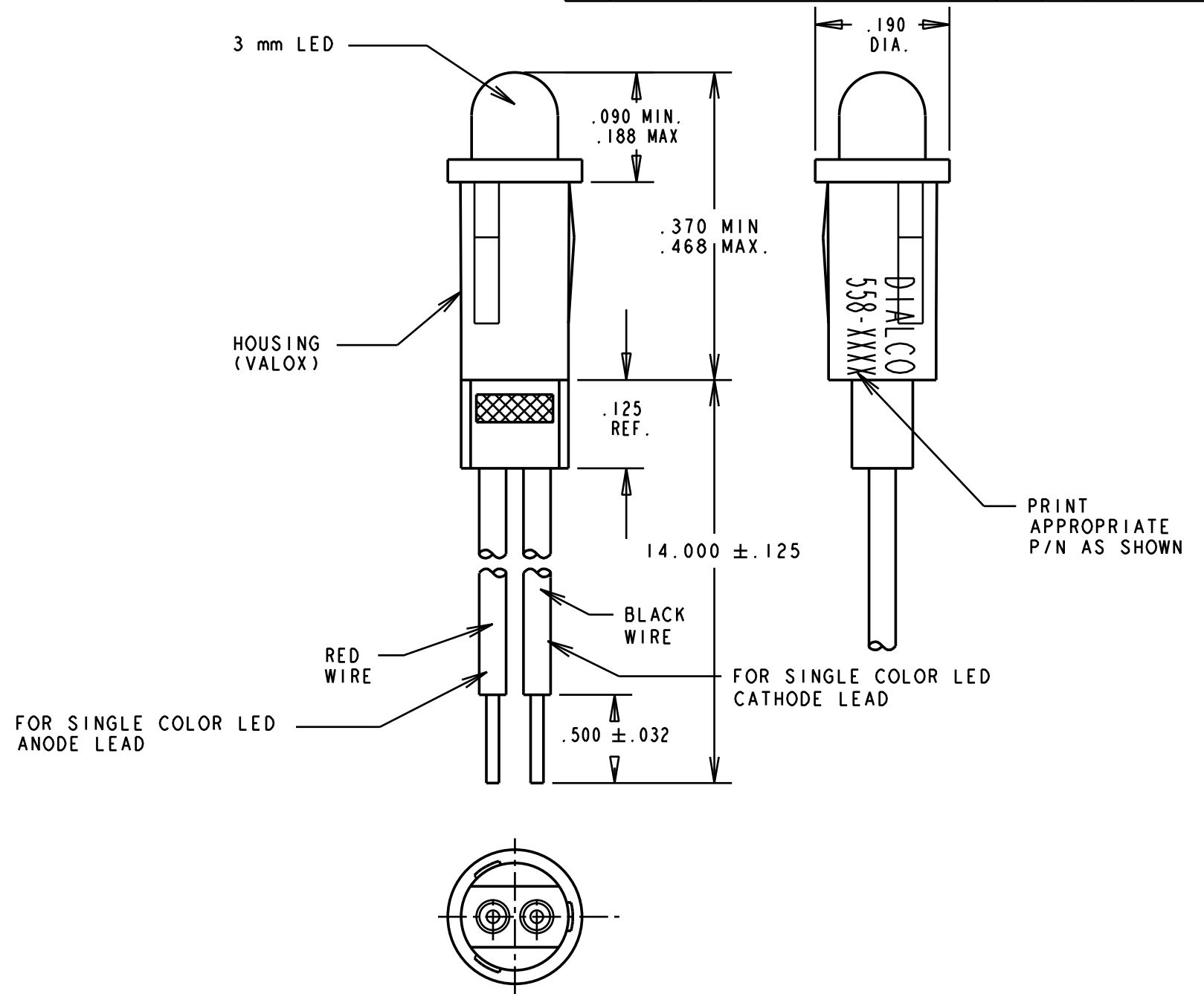
ASSEMBLY NO.	V _f (V)		I _f (mA)		LED EPOXY COLOR	LED CHIP	PEAK WAVELENGTH λ _p (nm)	LUM. INT. I _f (mcd)	
	TYP.	MAX.	TYP.	MAX.				MIN.	TYP.
558-0101-007	2.0	3.0	10*	20	RED DIFF.	GaAs	650		10.0
558-0102-007	5.0		10	15	RED DIFF.	GaAsP/GaP	635		4.0
558-0201-007	2.1	3.0	10*	25	GREEN DIFF.	GaP	563		16.0
558-0202-007	5.0		12	15	GREEN DIFF.	GaP	565		8.0
558-0301-007	2.1	3.0	10*	20	YELLOW DIFF.	GaAsP/GaP	585		6.3
558-0302-007	5.0		10	15	YELLOW DIFF.	GaAsP/GaP	583		8.0
558-0401-007	1.5	2.2	10*	25	ORANGE DIFF.	GaAsP/GaP	600		6.5
558-0501-007	2.1	2.8	20*	40	WATER CLEAR	GaP	565		70.0
558-0601-007	1.9	2.4	20*	50	WATER CLEAR	AlInGaP	594		200.0
558-0701-007	1.8	2.4	20*	40	WATER CLEAR	AlGaAs	660		170.0
558-0803-007	3.5	4.2	10*	20	WHITE DIFF.	GaN(BLUE)	428	6.3	13.0
558-1101-007	1.8	2.2	2**	7	RED DIFF.	GaAsP/GaP	635		1.8
558-1201-007	1.9	2.7	2**	7	YELLOW DIFF.	GaAsP/GaP	583		1.6
558-1301-007	1.8	2.2	2**	7	GREEN DIFF.	GaP	565		1.6
558-1501-007	2.1	2.8	10*	30	GREEN TINTED NON-DIFF.	GaP	565		70.0
558-1601-007	2.1	2.8	10*	20	YELLOW TINTED NON-DIFF.	GaAsP/GaP	585		19.0
558-1701-007	1.8	2.4	20*	40	RED TINTED NON-DIFF.	AlGaAs	660		135.0
558-1801-007	1.8	2.4	20*	40	RED DIFF.	AlGaAs	660		60.0
558-6003-007	3.5	4.0	20*	30	WATER CLEAR	GaN(BLUE)	464		460
558-6403-007	3.6	4.0	20*	30	WATER CLEAR	GaN(WHITE)	SEE X, Y COOR.		850

X, Y COLOR COORDINATES		
PART NUMBER	X	Y
558-6403-007	.31	.32

NOTES:

- * REQUIRES EXTERNAL RESISTOR.
** REQUIRES EXTERNAL RESISTOR, MAX. FORWARD D.C. CURRENT 7 mA.
- LEAD WIRES: AWG #26 PRE-TINNED, STRANDED.
- RECOMMENDED MOUNTING HOLE: .155/.158 DIA. ON PANELS
.031 THRU .062 THICK.
- * 4. ATTENTION: OBSERVE PRECAUTIONS FOR HANDLING ELECTROSTATIC SENSITIVE DEVICES.
FOR EYE SAFETY DO NOT STARE DIRECTLY INTO THE LIGHT BEAM OF THESE LED DEVICES AT CLOSE RANGE.
- DIALIGHT PART NUMBERS: 558-XXXX-007.

REV.	ECN NO.	REVISIONS	DRN.	CKD.	APP.	DATE
C		ADDED P/N 558-0803-007, NOTE 4 AND 5. REDRAWN TO PRO-E.	DC	AM	NO	12-17-01
D		ADDED P/N 558-6003-007 & 558-6403-007	JAV			



THIS DRAWING AND THE CONTENTS HEREIN ARE CONFIDENTIAL AND THE SOLE PROPERTY OF DIALIGHT. REPRODUCTION OF THIS DRAWING OR CONSTRUCTION OF ANY PARTS WITHIN THIS DRAWING ARE FORBIDDEN WITHOUT THE WRITTEN CONSENT OF DIALIGHT.		
SCALE: NONE	DRAWING NUMBER	REV
ALL DIM'S IN: INCHES (MM)	C-16266	D
TOLERANCES: UNLESS OTHERWISE SPECIFIED	TITLE	
FRACTIONS: ±1/64	.156" MOUNTING HOLE, SNAP-IN PMI	
DECIMALS (.XX): ±.020	MATERIAL	
DECIMALS (.XXX): ±.015	Dialight	
ANGLES: ±3°	1501 ROUTE 34 SOUTH	
FINISH:	FARMINGDALE, NJ 07727	
FSCM 83330	SHEET OF	FAMILY TABLE: