



Chipsmall Limited consists of a professional team with an average of over 10 year of expertise in the distribution of electronic components. Based in Hongkong, we have already established firm and mutual-benefit business relationships with customers from,Europe,America and south Asia,supplying obsolete and hard-to-find components to meet their specific needs.

With the principle of “Quality Parts,Customers Priority,Honest Operation,and Considerate Service”,our business mainly focus on the distribution of electronic components. Line cards we deal with include Microchip,ALPS,ROHM,Xilinx,Pulse,ON,Everlight and Freescale. Main products comprise IC,Modules,Potentiometer,IC Socket,Relay,Connector.Our parts cover such applications as commercial,industrial, and automotives areas.

We are looking forward to setting up business relationship with you and hope to provide you with the best service and solution. Let us make a better world for our industry!



Contact us

Tel: +86-755-8981 8866 Fax: +86-755-8427 6832

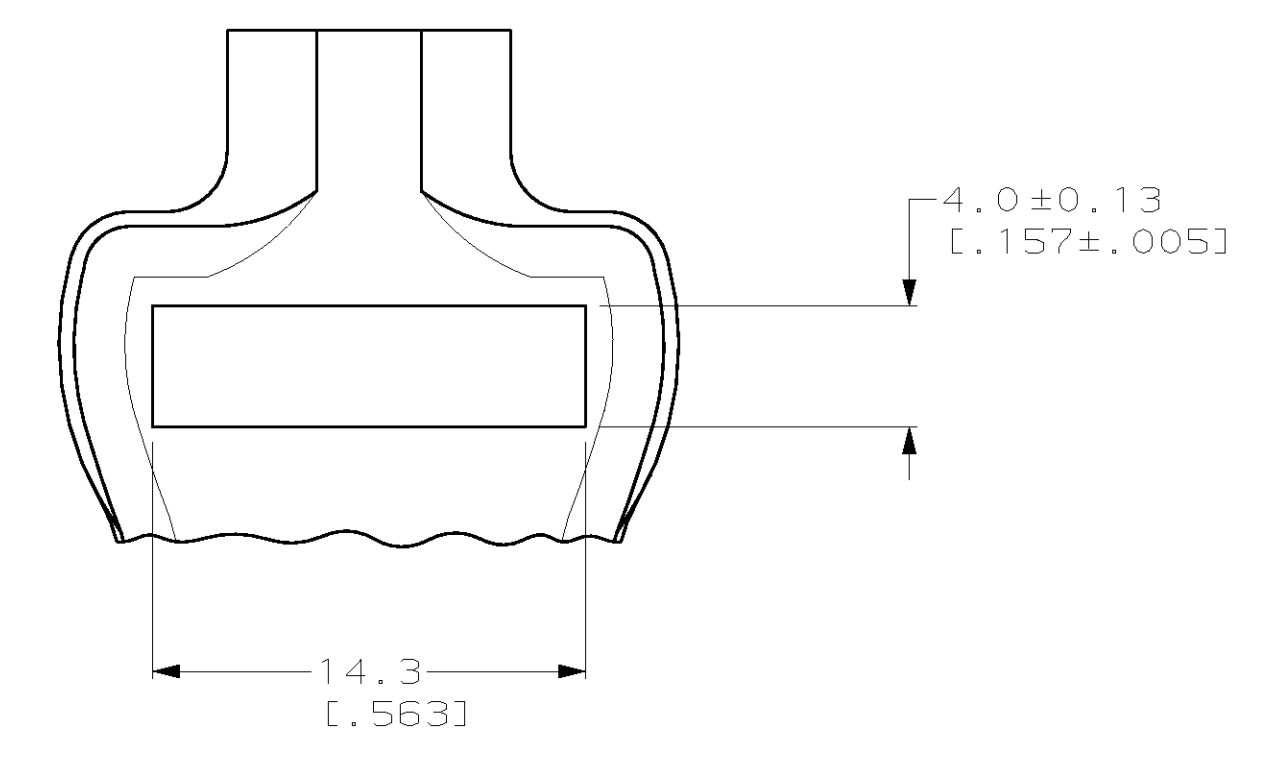
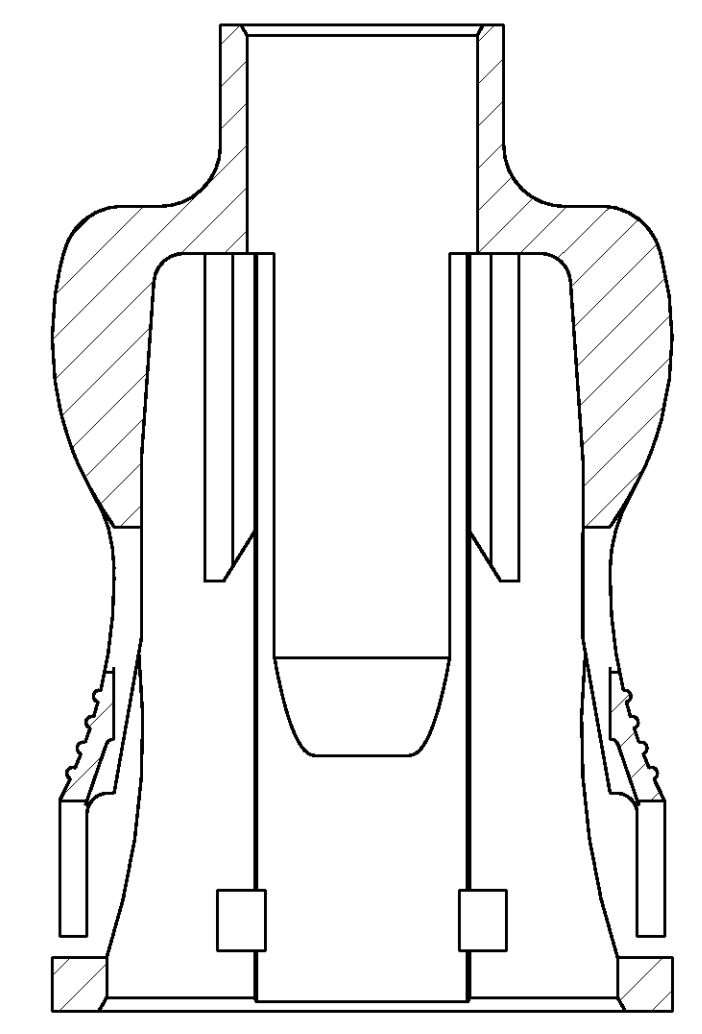
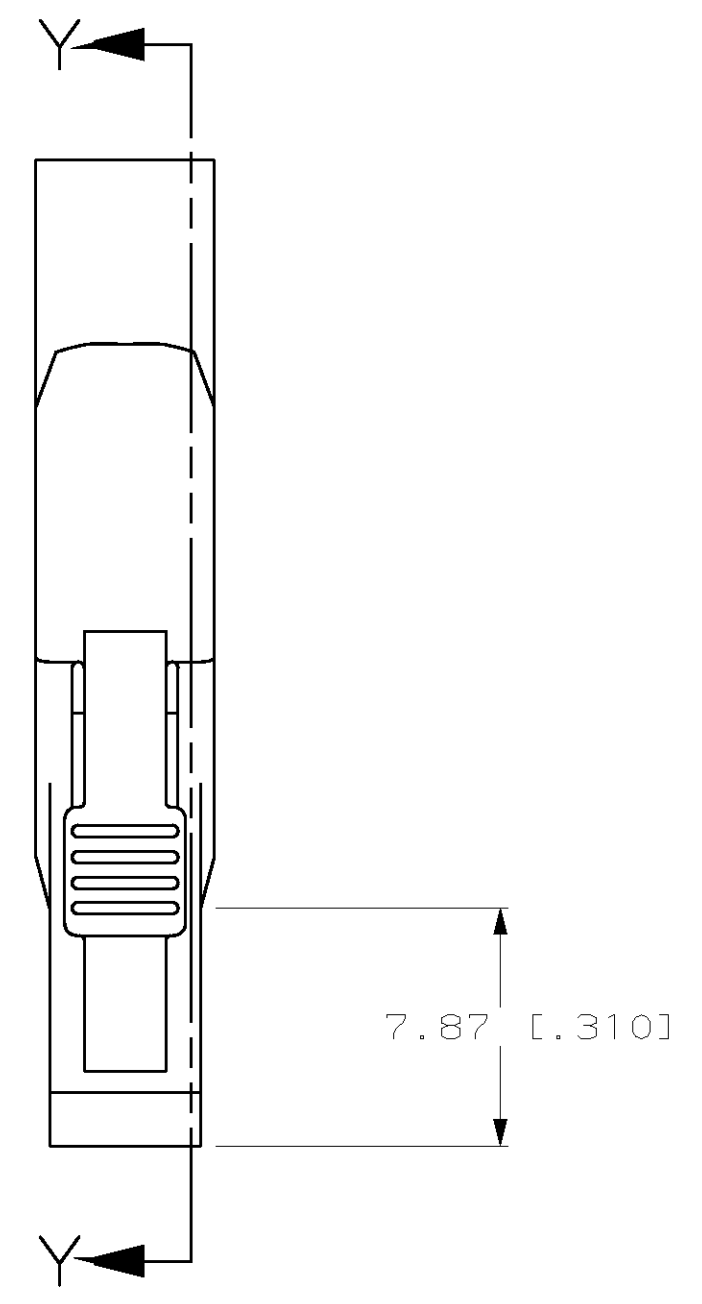
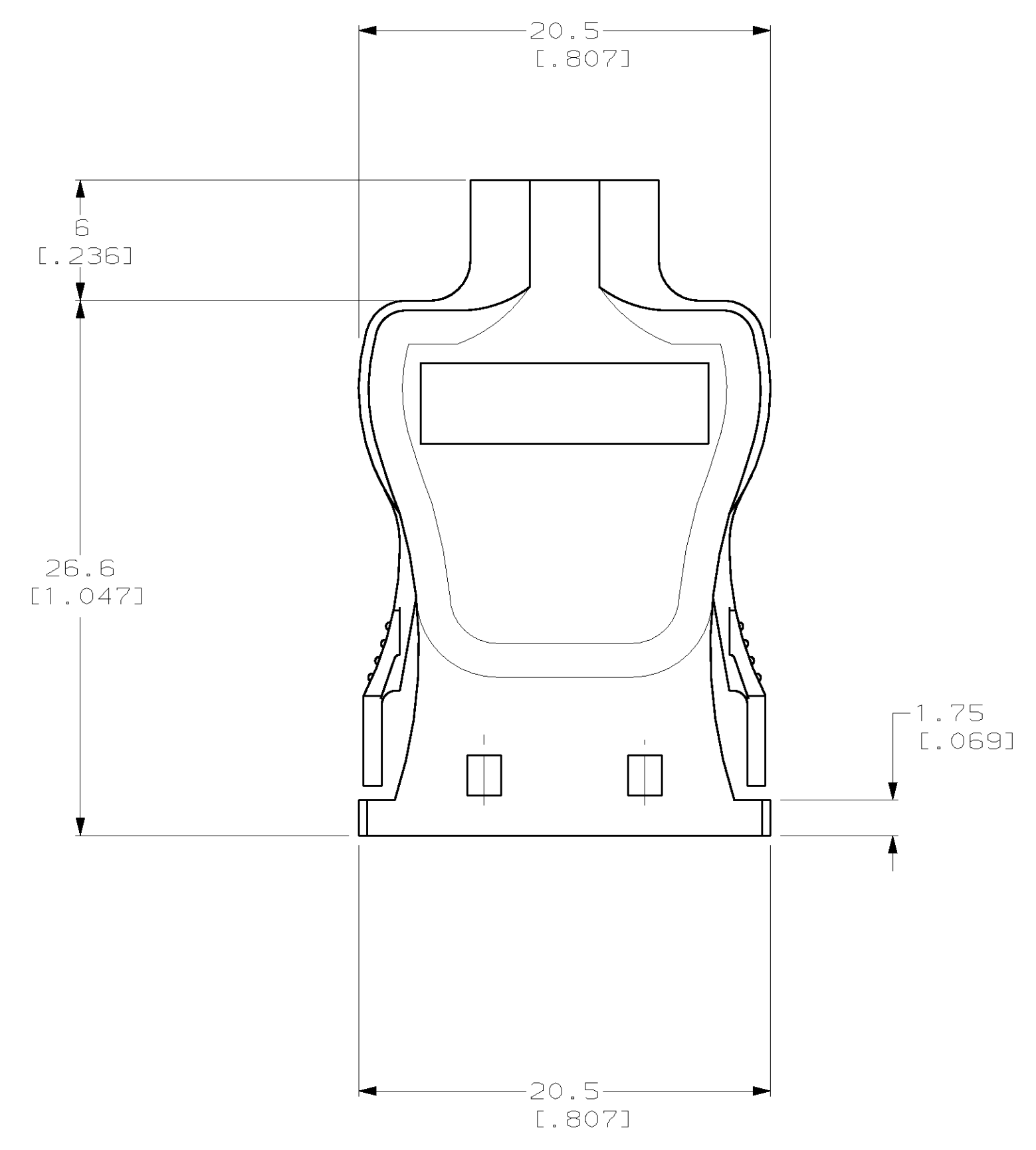
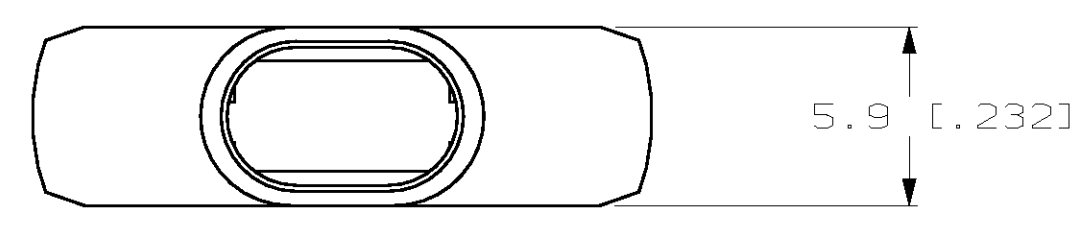
Email & Skype: info@chipsmall.com Web: www.chipsmall.com

Address: A1208, Overseas Decoration Building, #122 Zhenhua RD., Futian, Shenzhen, China

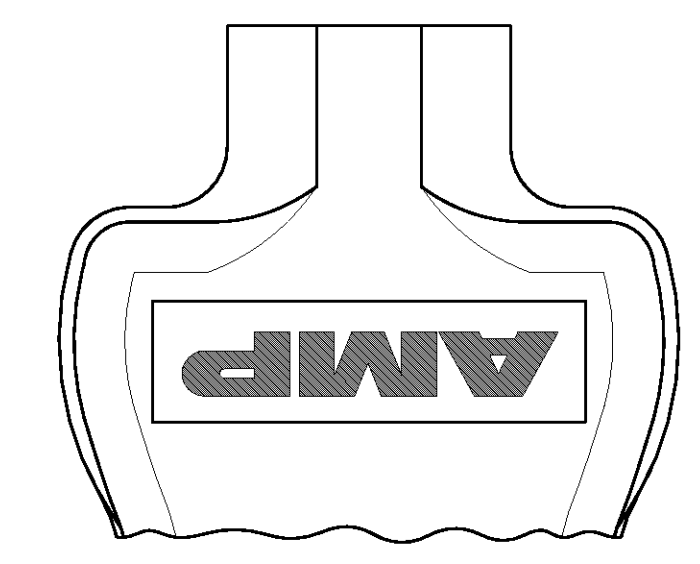


REV. NO.		REVISIONS			
LOC	DIST	DATE	BY	APPV	DATE
AA	23		C		
		DESCRIPTION	DATE	OWN	APPV
		C	REV, EC 0651-0142-98	19NOV98	GG JT

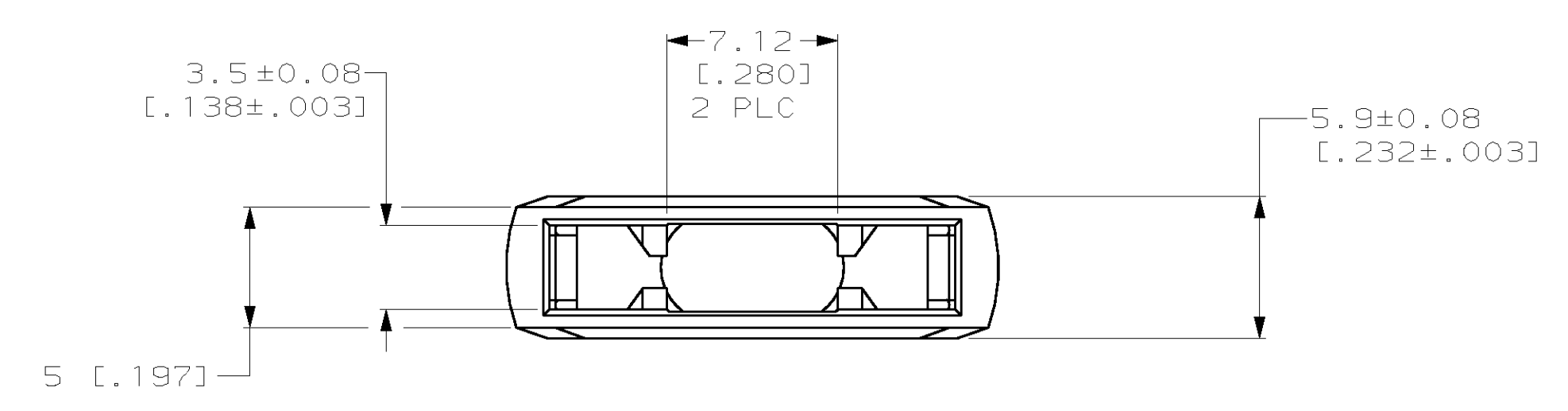
⚠ MATERIAL: POLYPHENYLENE OXIDE MOLDING COMPOUND, BLACK.



558665-2



558665-1



OBsolete	RESTRICTED SEE 558665-3	558665-3
	BOOT W/O LOGO	558665-2
	BOOT W/ AMP LOGO	558665-1
	DESCRIPTION	PART NO.

THIS DRAWING IS A CONTROLLED DOCUMENT.		DWN R.K. BARKER 11/01/94	AMP Incorporated Harrisburg, PA 17105-3608	
DIMENSIONS mm (INCHES)		CHK C. WHITT 11/01/94	NAME	
TOLERANCES UNLESS OTHERWISE SPECIFIED:		APPV D. WOLLA 11/01/94	PRODUCT SPEC	
0 PLC	±0.13 [0.005]	APPLICATION SPEC		
1 PLC	±0.13 [0.005]	SIZE		
2 PLC	±0.13 [0.005]	CAGE CODE		
3 PLC	±	DRAWING NO		
4 PLC	±	RESTRICTED TO		
ANGLES	±	A100779 558665		
MATERIAL	FINISH	WEIGHT	CUSTOMER DRAWING	
		SCALE	SHEET	REV
		4:1	1 OF 1	C