



Chipsmall Limited consists of a professional team with an average of over 10 year of expertise in the distribution of electronic components. Based in Hongkong, we have already established firm and mutual-benefit business relationships with customers from,Europe,America and south Asia,supplying obsolete and hard-to-find components to meet their specific needs.

With the principle of “Quality Parts,Customers Priority,Honest Operation,and Considerate Service”,our business mainly focus on the distribution of electronic components. Line cards we deal with include Microchip,ALPS,ROHM,Xilinx,Pulse,ON,Everlight and Freescale. Main products comprise IC,Modules,Potentiometer,IC Socket,Relay,Connector.Our parts cover such applications as commercial,industrial, and automotives areas.

We are looking forward to setting up business relationship with you and hope to provide you with the best service and solution. Let us make a better world for our industry!



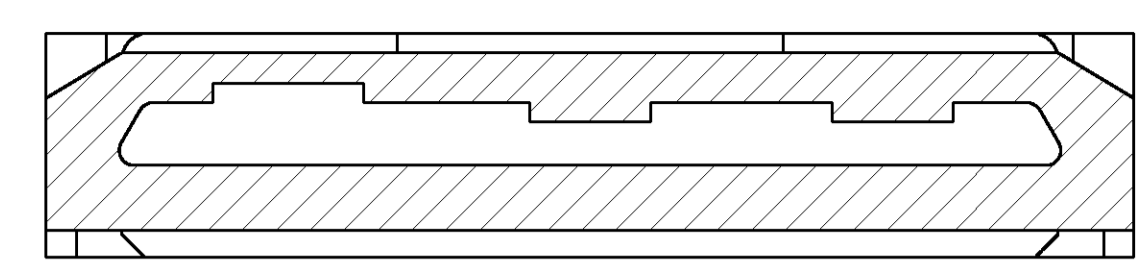
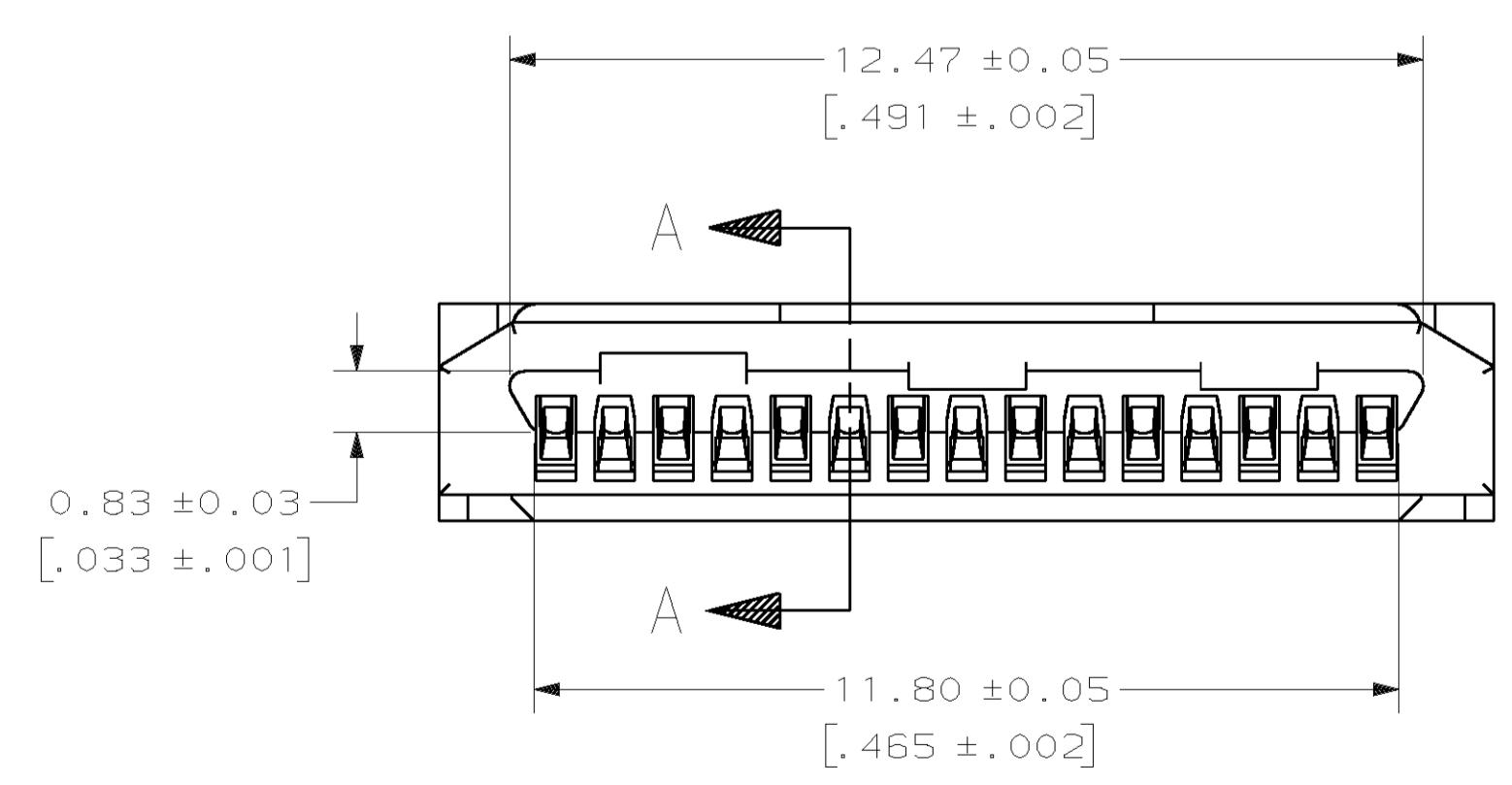
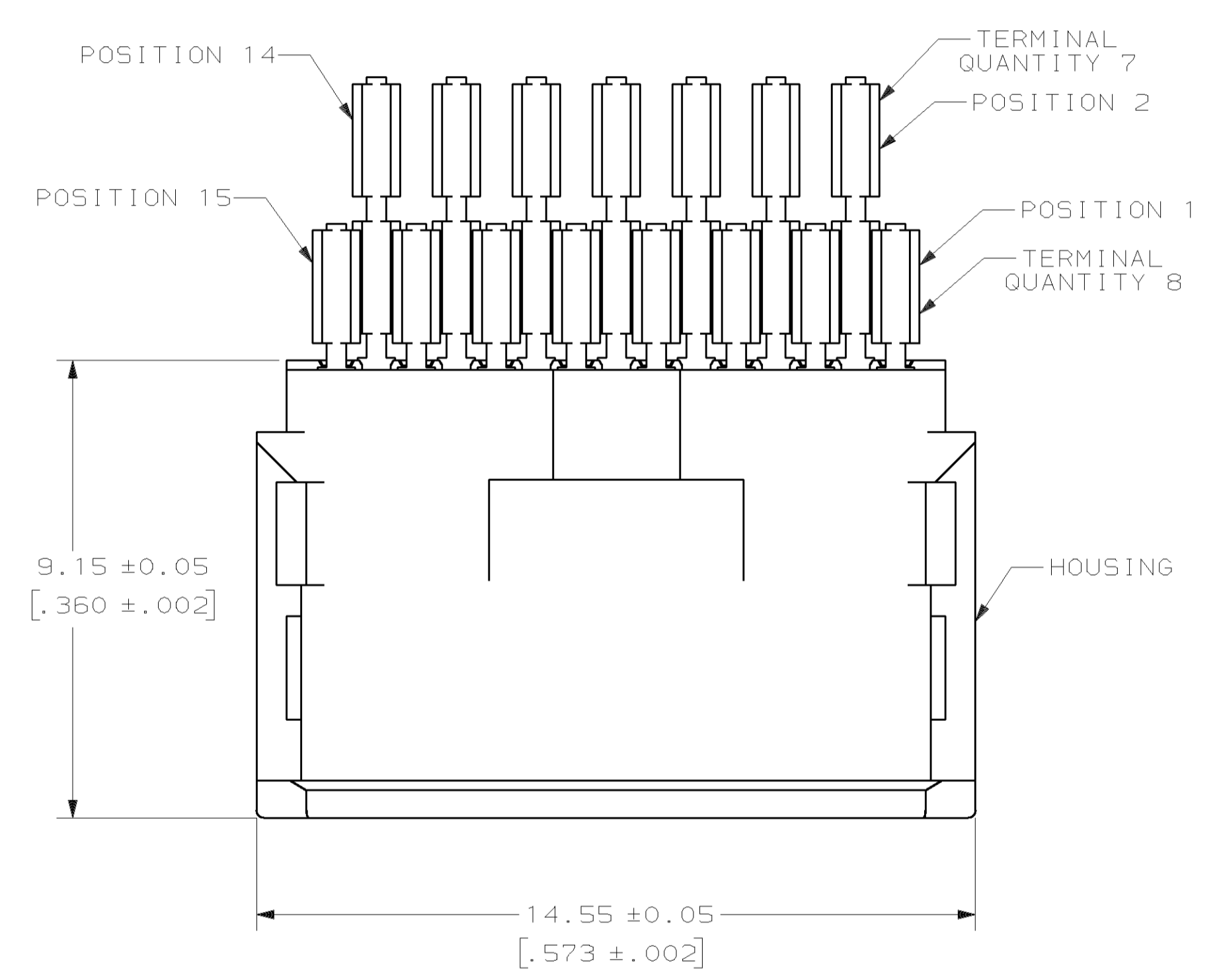
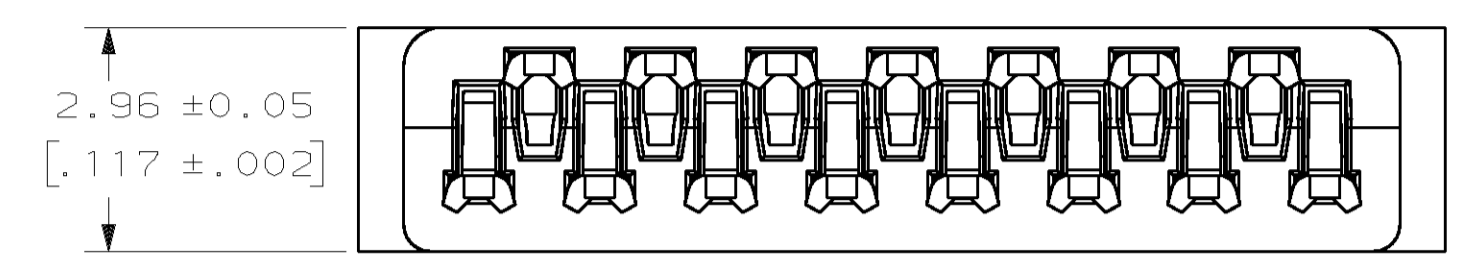
Contact us

Tel: +86-755-8981 8866 Fax: +86-755-8427 6832

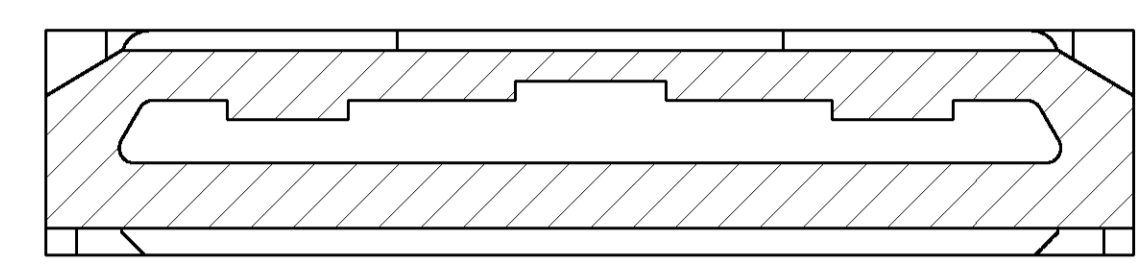
Email & Skype: info@chipsmall.com Web: www.chipsmall.com

Address: A1208, Overseas Decoration Building, #122 Zhenhua RD., Futian, Shenzhen, China

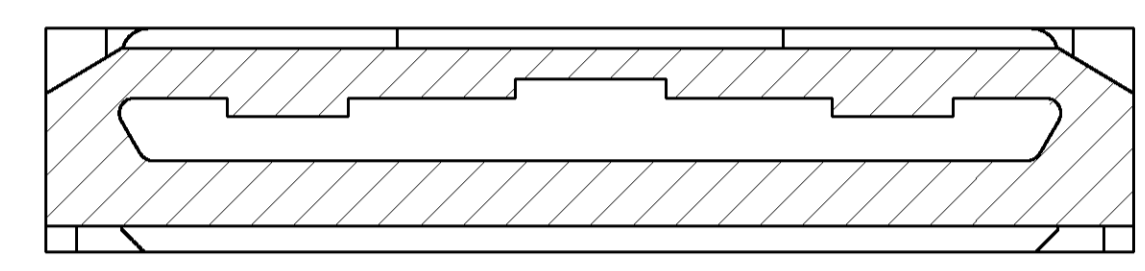




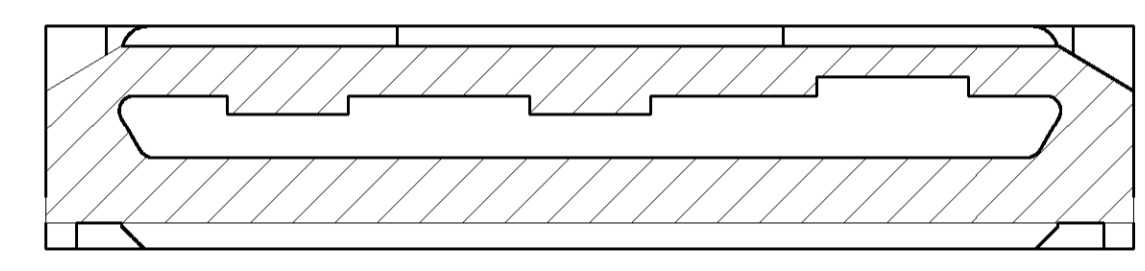
558666-5
KEY 5
TBD



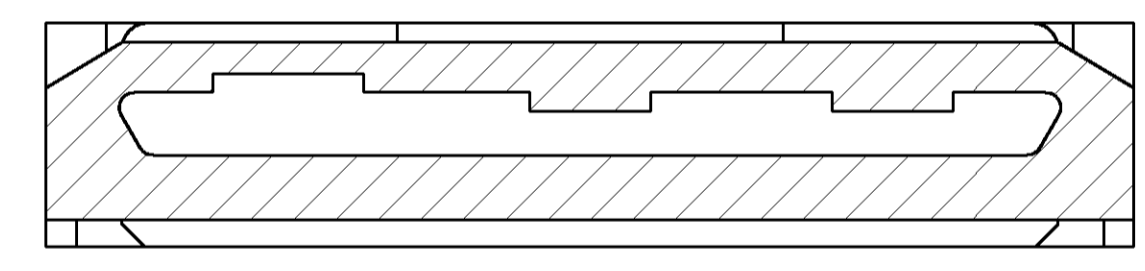
558666-4
KEY 4
LAN



558666-3
KEY 3
MODEM

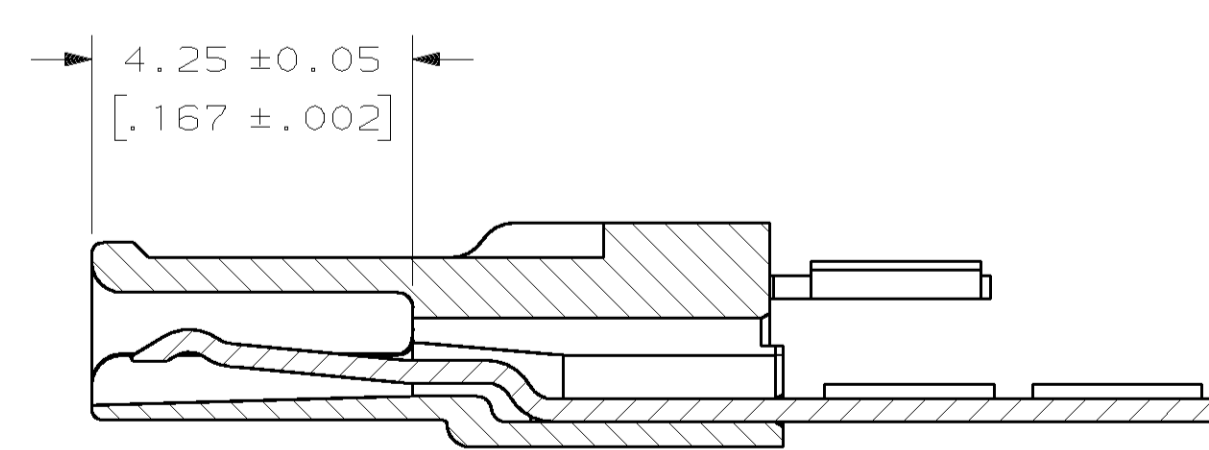


558666-2
KEY 2
MULTI-FUNCTION



558666-1
KEY 1
CLOSED

KEYING OPTIONS
SOME DETAIL OMITTED FOR CLARITY



SECTION A-A

△ HOUSING: NYLON MOLDING COMPOUND, BLACK.
 TERMINALS: 0.3[.012] THICK PH05 BRONZE.
 PLATING: NICKEL UNDERPLATE OVER ENTIRE TERMINAL. 2.54μm[.000100] MINIMUM THICKNESS.
 LOCALIZED PLATING AREA: 0.254μm[.000010] THICK GOLD OVER 1.016μm[.000040] MINIMUM THICK PALLADIUM NICKEL (OVER 0.051μm[0.000002] MINIMUM THICK GOLD WHEN REQUIRED BY PROCESS CONDITIONS).
 2. 558666-1 KEY1 (CLOSED) AS SHOWN.

KEY 5	558666-5
KEY 4	558666-4
KEY 3	558666-3
KEY 2	558666-2
KEY 1	558666-1
DESCRIPTION	PART NUMBER

THIS DRAWING IS A CONTROLLED DOCUMENT.		DWN: RYBarker 10/31/94	AMP Incorporated Harrisburg, PA 17105-3608
DIMENSIONS: mm [INCHES]		CHK: B. FOX 10/31/94	
TOLERANCES UNLESS OTHERWISE SPECIFIED:		DWG: WOLLA 10/31/94	NAME: CONNECTOR ASSEMBLY, CABLE, 15 POSITION, INFOPORT, SERIES III
0 PLC ± .01		PRODUCT SPEC: -	
1 PLC ± .02		APPLICATION SPEC: -	SIZE: A1
2 PLC ± .03		WEIGHT: -	CAGE CODE: 00779
3 PLC ± .04		CUSTOMER DRAWING	SCALE: 10:1
4 PLC ± .05			SHEET 1 OF 1
FINISH: △			REV C