



Chipsmall Limited consists of a professional team with an average of over 10 year of expertise in the distribution of electronic components. Based in Hongkong, we have already established firm and mutual-benefit business relationships with customers from,Europe,America and south Asia,supplying obsolete and hard-to-find components to meet their specific needs.

With the principle of "Quality Parts,Customers Priority,Honest Operation,and Considerate Service",our business mainly focus on the distribution of electronic components. Line cards we deal with include Microchip,ALPS,ROHM,Xilinx,Pulse,ON,Everlight and Freescale. Main products comprise IC,Modules,Potentiometer,IC Socket,Relay,Connector.Our parts cover such applications as commercial,industrial, and automotives areas.

We are looking forward to setting up business relationship with you and hope to provide you with the best service and solution. Let us make a better world for our industry!



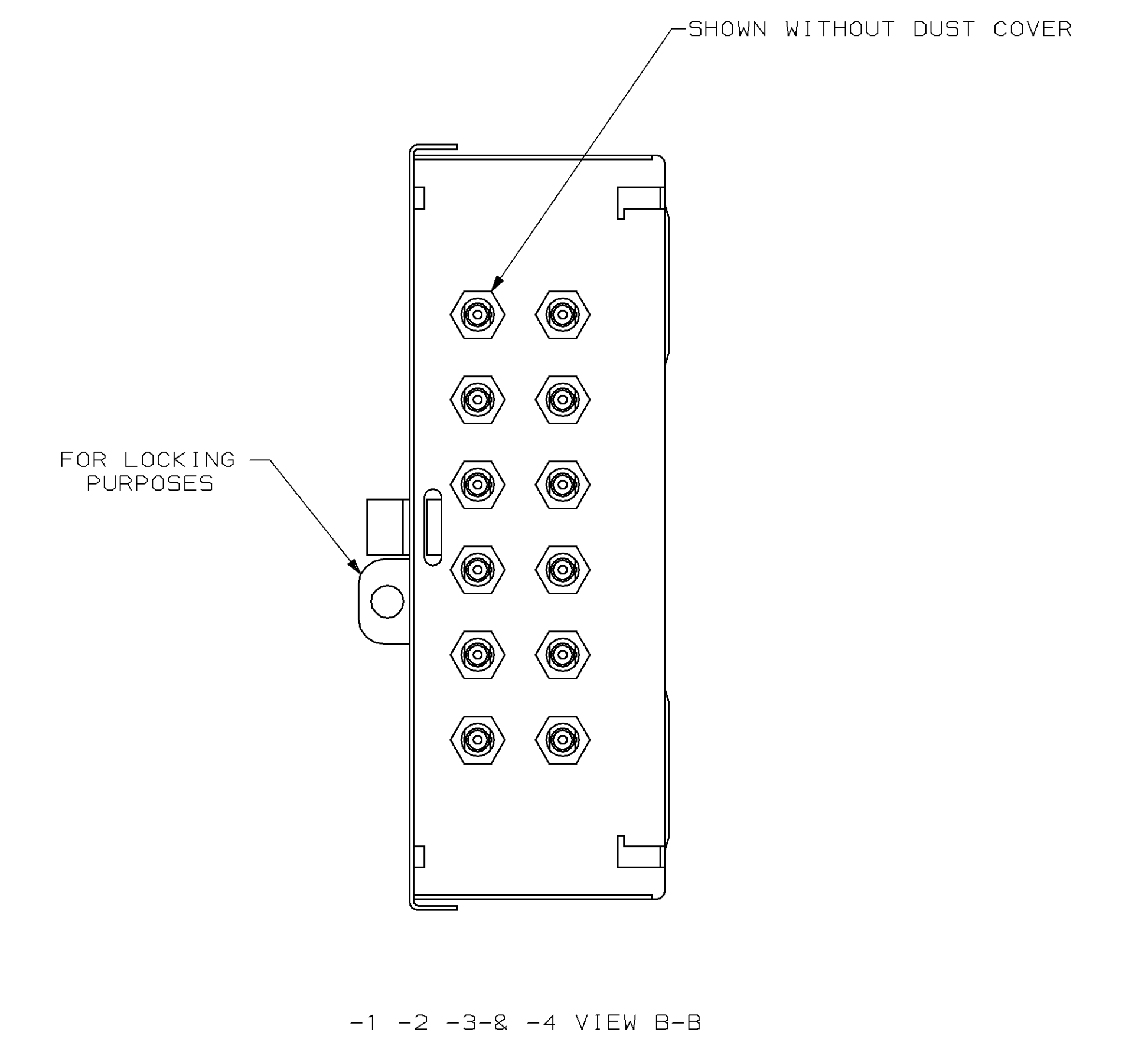
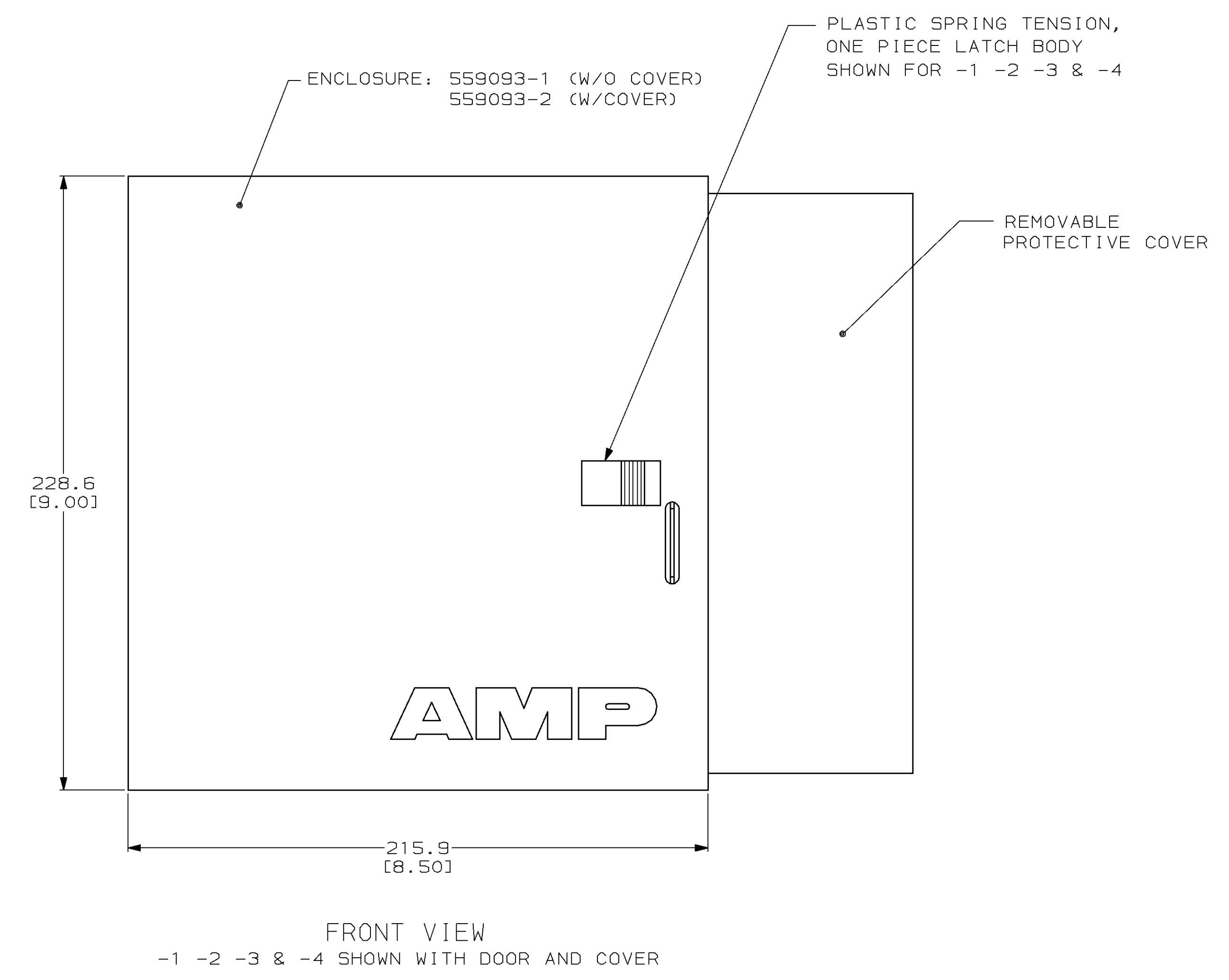
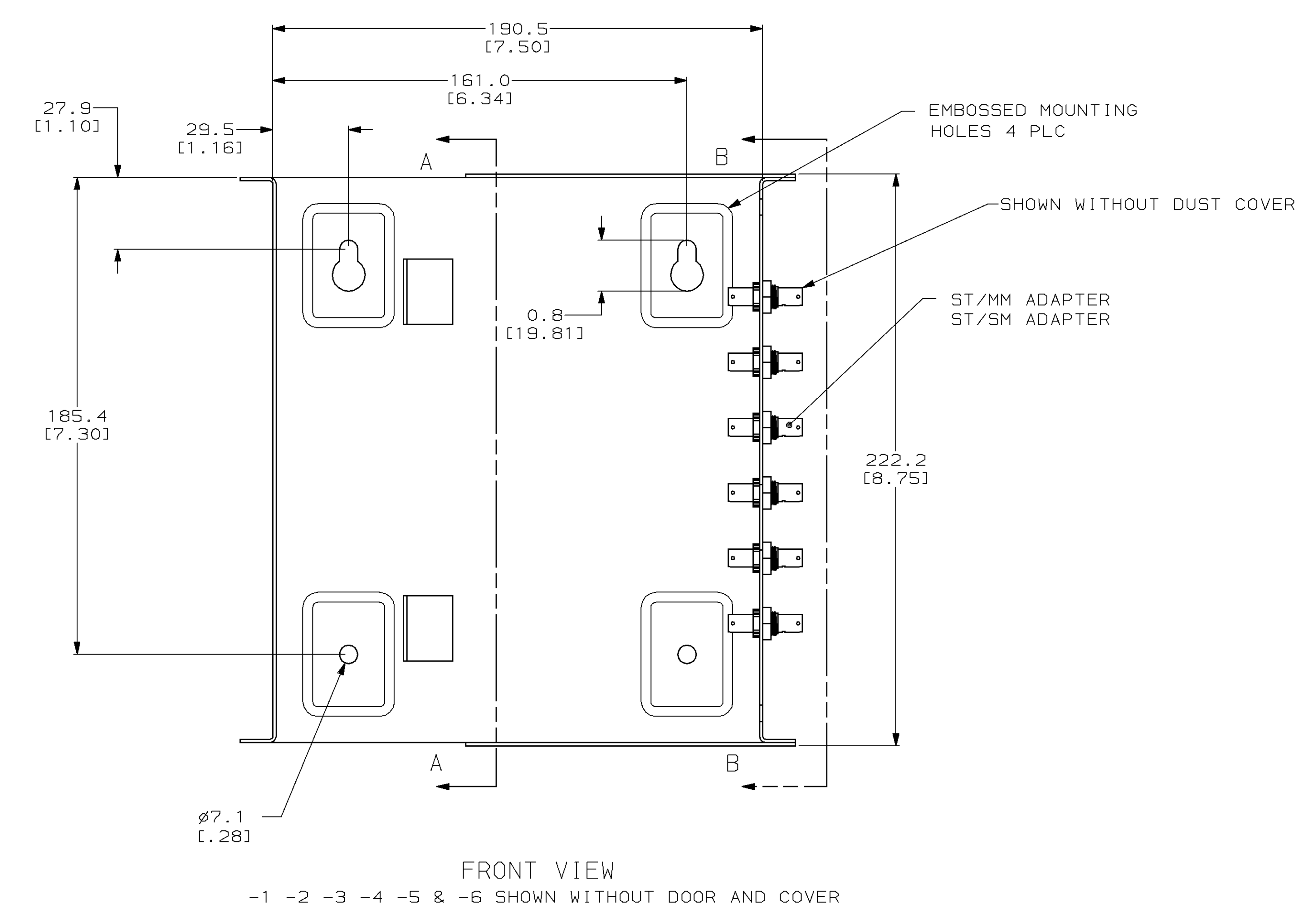
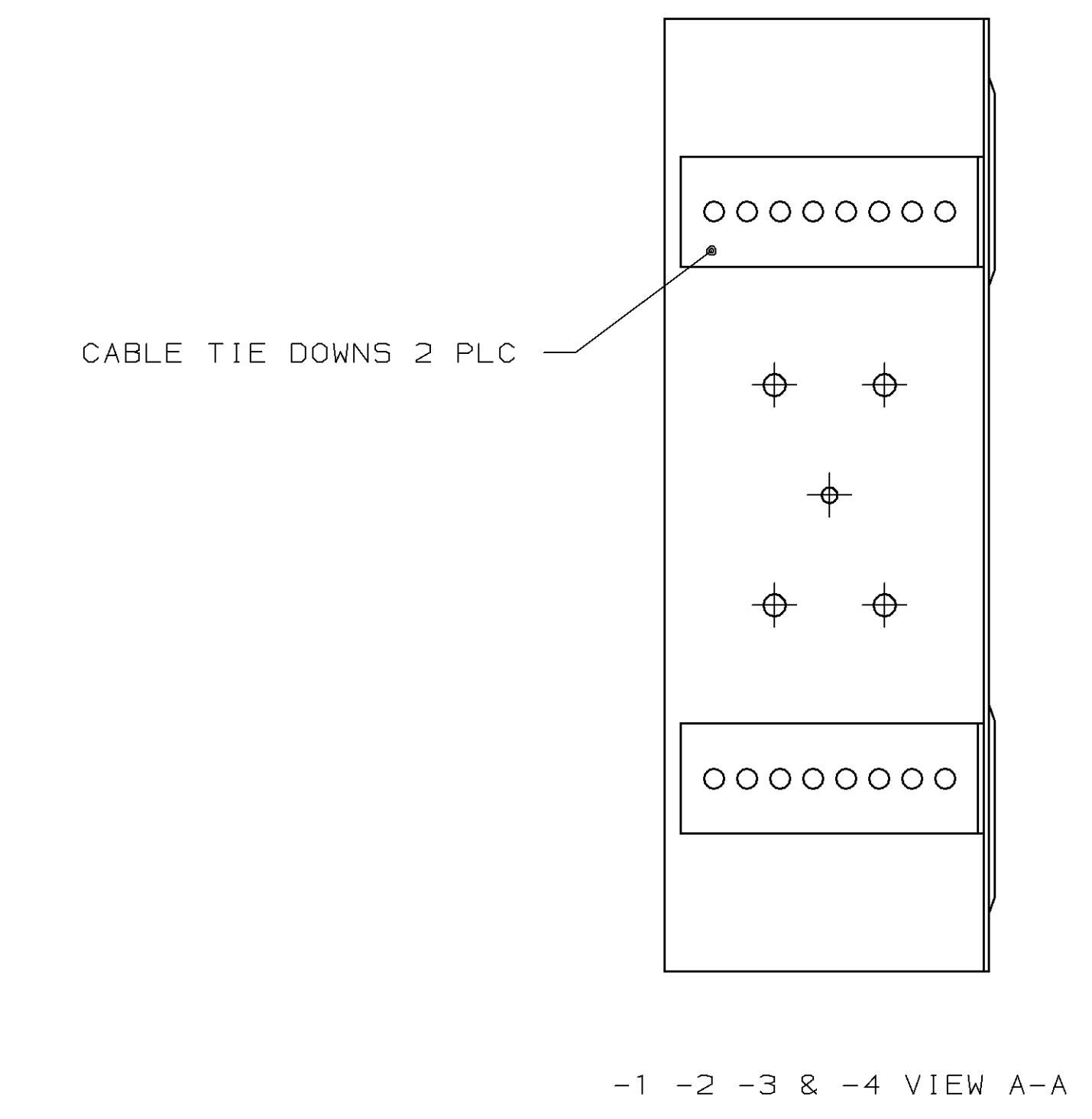
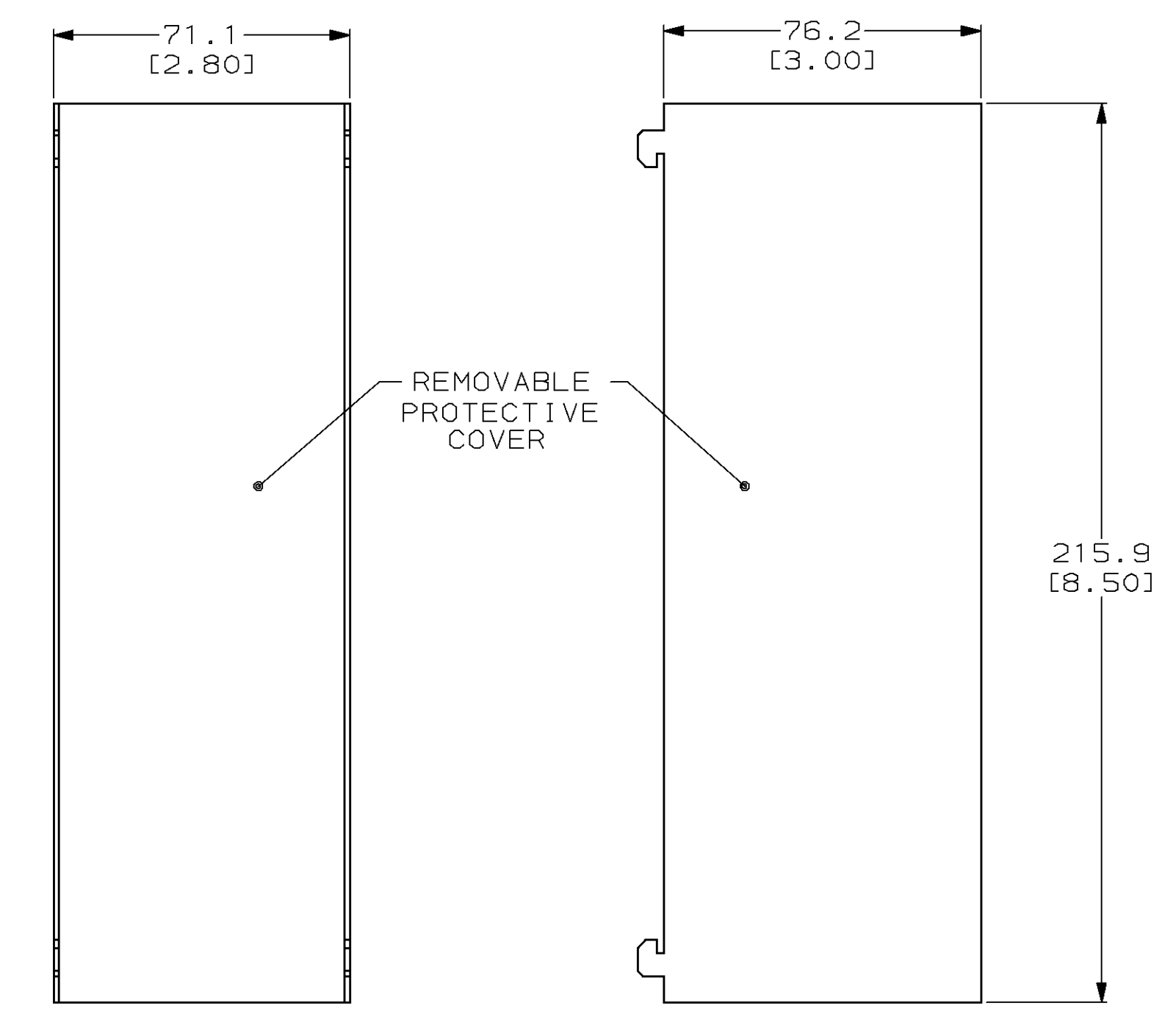
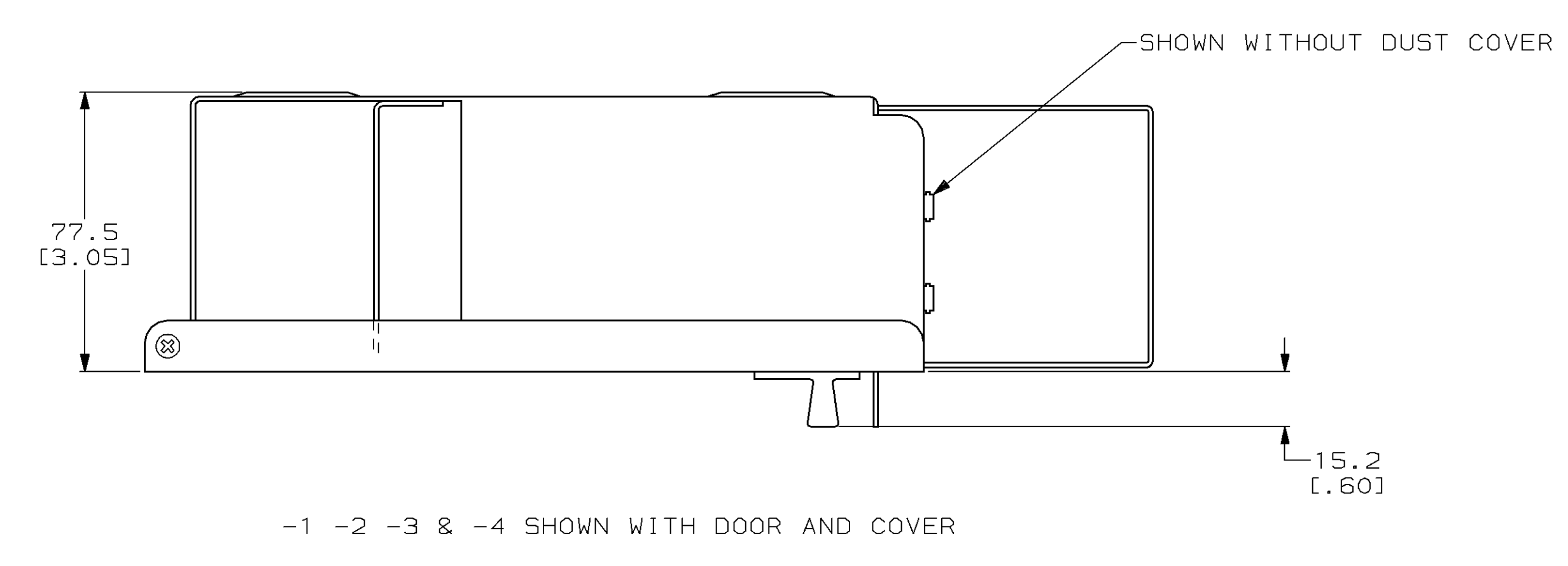
## Contact us

Tel: +86-755-8981 8866 Fax: +86-755-8427 6832

Email & Skype: info@chipsmall.com Web: www.chipsmall.com

Address: A1208, Overseas Decoration Building, #122 Zhenhua RD., Futian, Shenzhen, China





MULTIMODE	LIGHT ALMOND	WITH PROTECTIVE COVER	559094-6
MULTIMODE	LIGHT ALMOND	WITHOUT PROTECTIVE COVER	559094-5
SINGLEMODE	BLACK ANODIZED	WITH PROTECTIVE COVER	559094-4
SINGLEMODE	BLACK ANODIZED	WITHOUT PROTECTIVE COVER	559094-3
MULTIMODE	BLACK ANODIZED	WITH PROTECTIVE COVER	559094-2
MULTIMODE	BLACK ANODIZED	WITHOUT PROTECTIVE COVER	559094-1
COUPLING BUSHING	FINISH	DESCRIPTION	PART NO.

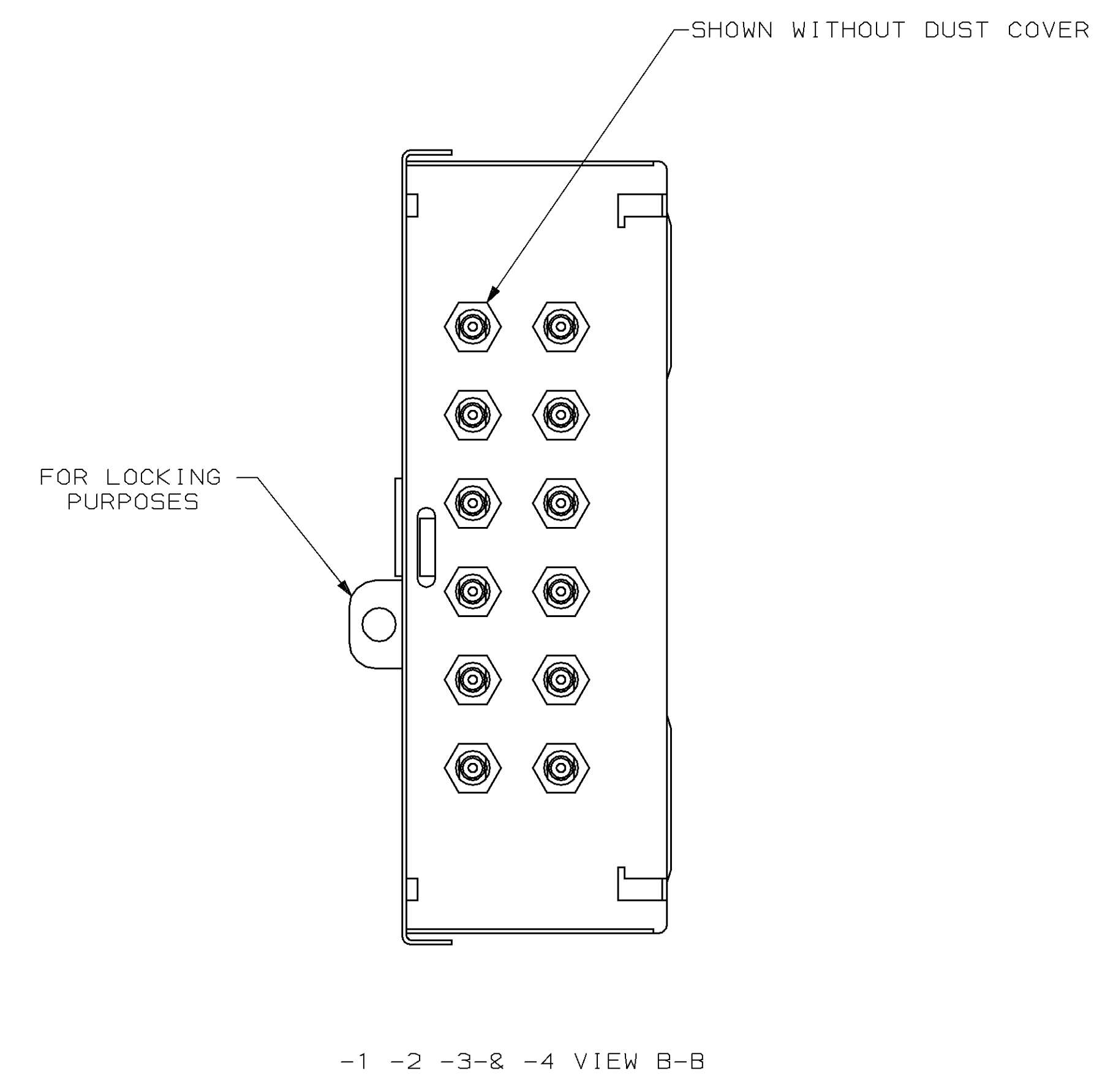
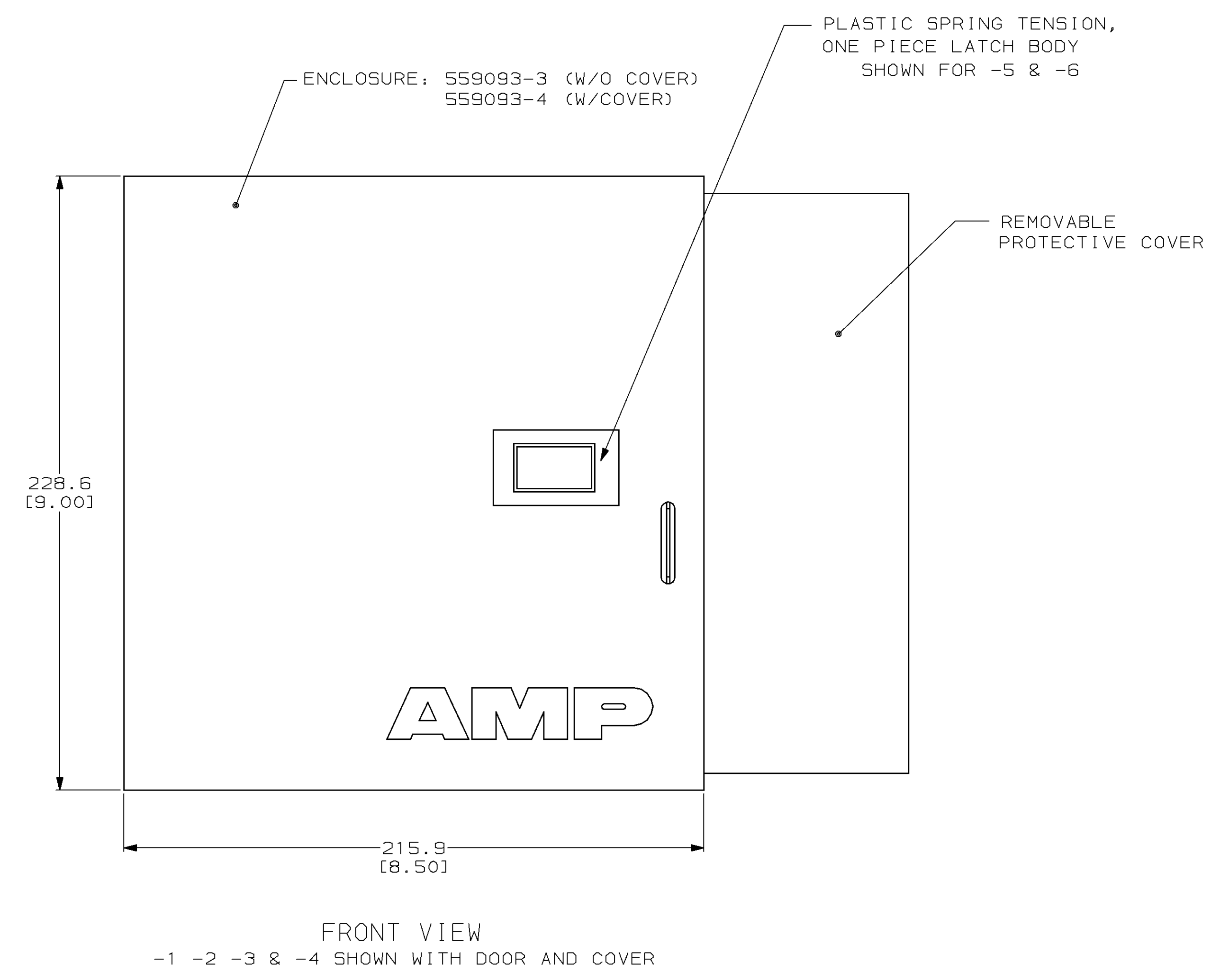
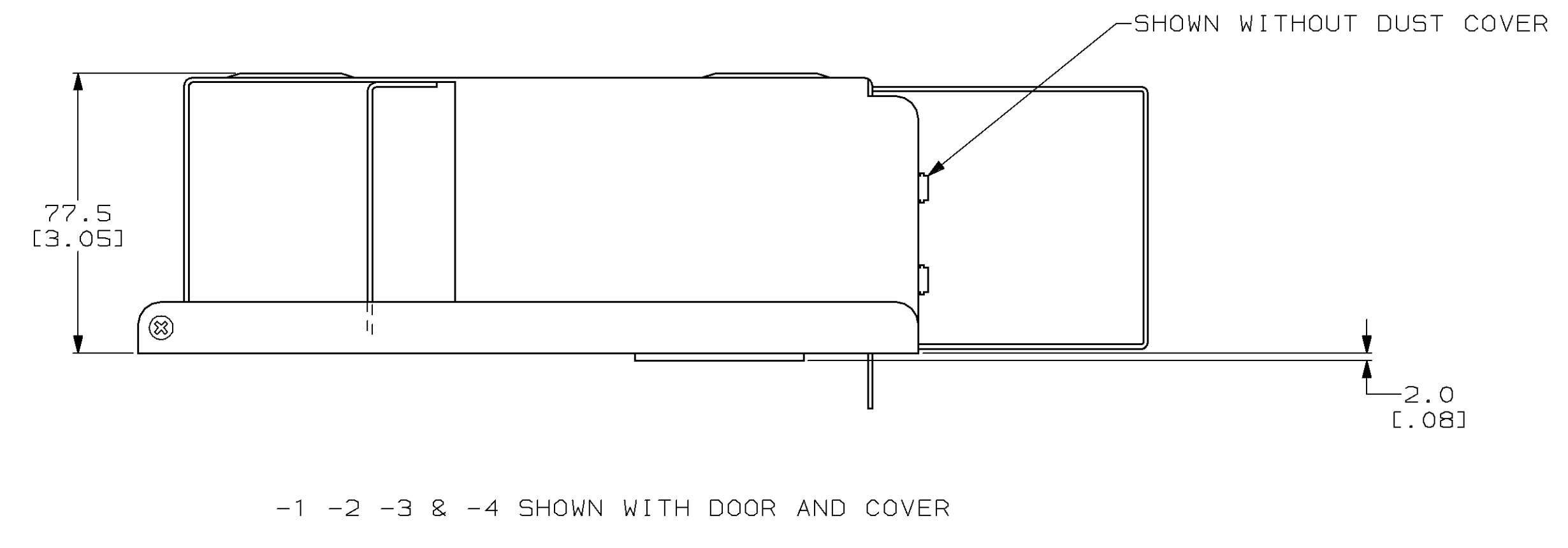
  

DESIGNED BY	R. R. SCHAEFER	DATE	3-7-86
CHECKED BY	J. C. HOFFER	DATE	3-7-86
APPROVED BY	J. EBERLE	DATE	3-7-86
TOLERANCES UNLESS OTHERWISE SPECIFIED:			
D. PLC	±.001		
M. PLC	±.005		
R. PLC	±0.001 (0.010)		
ANGLE	±.001		
FINISH			
MATERIAL	ALUMINUM	WEIGHT	
CUSTOMER DRAWING			

AMP Incorporated	Harrisburg, PA 17105-3
ASSEMBLY, ENCLOSURE DISTRIBUTION	PANEL 12/PT ST'S, WALL MTD
SIZE	CASE CODE
SCALE	1:1
SHEET	1 OF 2

1. LABELS: ALL DESIGNATION AND WARNING LABELS ARE PLACED IN A BAG INSIDE THE ENCLOSURE  
 TWO (2) 12-LINE FIBER PATCH PORT LABELS  
 TWO (2) WARNING LABELS



DIMENSIONS		TOLERANCES UNLESS OTHERWISE SPECIFIED.		DATE	2-7-98
mm	PLC	±.02	PLC	DRW	R. R. SCHAEFER
	PLC	±.05 (0.001)	PLC	CHK	C. MOFFER
	PLC	±.05 (0.010)	PLC	APP'D	J. BERBLE
	PLC	±.05 (0.010)	PLC	NAME	
MATERIAL	FINISH	WEIGHT	CUSTOMER DRAWING	PRODUCT SPEC	ASSEMBLY, ENCLOSURE DIST
				APPLICATION SPEC	PANEL 12/PT 51'S, WAL
				SIZE	SCALE
				A0	00779
				SCALE	1:1