



Chipsmall Limited consists of a professional team with an average of over 10 year of expertise in the distribution of electronic components. Based in Hongkong, we have already established firm and mutual-benefit business relationships with customers from,Europe,America and south Asia,supplying obsolete and hard-to-find components to meet their specific needs.

With the principle of “Quality Parts,Customers Priority,Honest Operation,and Considerate Service”,our business mainly focus on the distribution of electronic components. Line cards we deal with include Microchip,ALPS,ROHM,Xilinx,Pulse,ON,Everlight and Freescale. Main products comprise IC,Modules,Potentiometer,IC Socket,Relay,Connector.Our parts cover such applications as commercial,industrial, and automotives areas.

We are looking forward to setting up business relationship with you and hope to provide you with the best service and solution. Let us make a better world for our industry!



Contact us

Tel: +86-755-8981 8866 Fax: +86-755-8427 6832

Email & Skype: info@chipsmall.com Web: www.chipsmall.com

Address: A1208, Overseas Decoration Building, #122 Zhenhua RD., Futian, Shenzhen, China



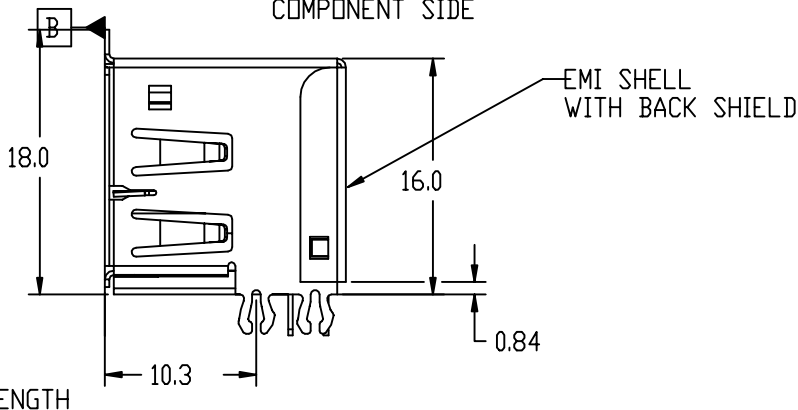
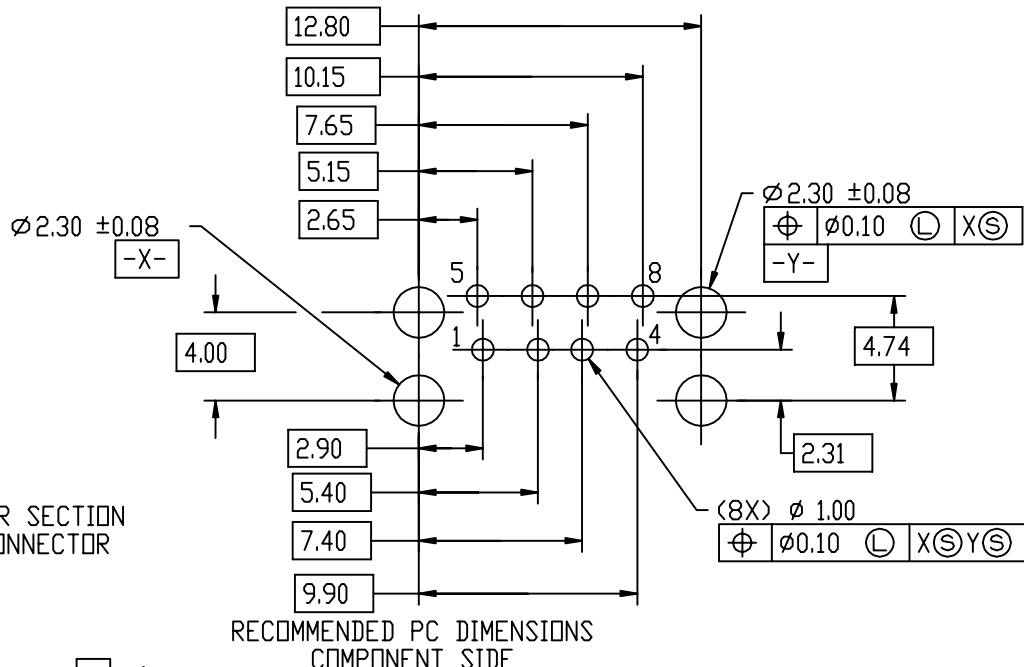
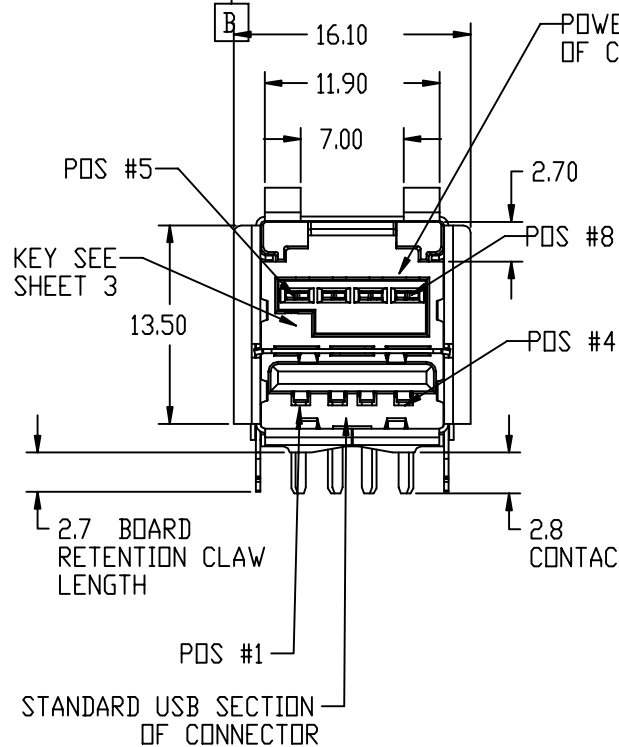
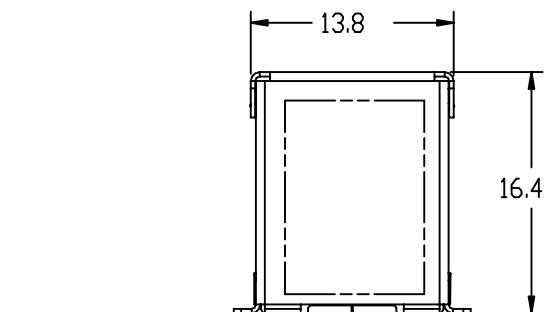
Tous droits strictement réservés. Reproduction ou communication a des tiers interdite sous quelque forme que ce soit sans autorisation écrite du propriétaire de c FCI. Droits de reproduction FCI.



All rights strictly reserved. Reproduction or issue to third parties in any form whatever is not permitted without written authority from the proprietor. Property of FCI. Copyright FCI.

PRODUCT NUMBER
SEE TABLE

SEE SHEET 3 FOR KEYING OPTIONS



mat'l code		-		tolerances unless otherwise specified		CUSTOMER		FCI		www.fciconnect.com	
lir	ecn no.	dr	date	linear	0.X ± 0.3	COPY		projection		title	
F	N04-0098	PH	11/09/04		0.XX ± 0.20					USB+POWER RECEPTACLE ASSEMBLY	
G	V04-1160	PH	12/07/04	angles	.XXX ± 0.100					product family	
H	N08-0091	Bobby S	5/13/08		0° ± 2°	MM		scale		USB	
J	N08-0122	Bobby S	6/10/08	dr	R.RINEHART 9/22/00	3:1		size		code	
				enrg	R.MACMULLIN 9/22/00			A		213	
				chr	R.MACMULLIN 9/22/00			55917		sheet	
				appd	R.MACMULLIN 9/22/00			1 of 4			
sheet	revision										
index	sheet										

cage code 22526

Pro/E

PDM: Rev:J

STATUS: Released

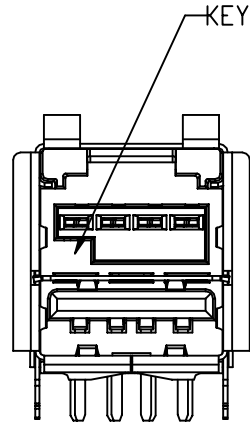
Printed: Jul 28, 2010

Tous droits strictement réservés. Reproduction ou communication a des tiers interdite sous quelque forme que ce soit sans autorisation écrite du propriétaire de c FCI. Droits de reproduction FCI.

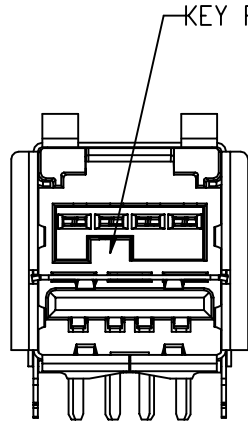
All rights strictly reserved. Reproduction or issue to third parties in any form whatever is not permitted without written authority from the proprietor. Property of FCI. Copyright FCI.



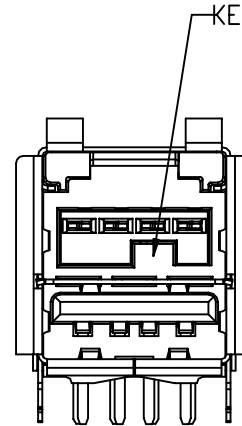
PRODUCT NUMBER
SEE TABLE



55917-10X
KEY POSITION 1



55917-20X
KEY POSITION 2



55917-30X
KEY POSITION 3

ABOVE ASSEMBLIES ARE SHOWN ONLY FOR KEY INFORMATION, FOR ASSEMBLY INFORMATION AND DIMENSIONS SEE PREVIOUS SHEETS

nat'l code				-		tolerances unless otherwise specified		CUSTOMER		FCI	
lir	ecm no.	dr	date	linear	0.X ± 0.3	CDPY		www.fciconnect.com			
J				angles	0.XX ± 0.20	projection		title		USB+POWER RECEPTACLE ASSEMBLY	
				dr	.XXX ± 0.100	MM		product family		USB code	
				engr	0° ± 2°	scale		size		213	
				chr	R.RINEHART 9/22/00	3:1		A		55917	
				appd	R.MACMULLIN 9/22/00					sheet	
sheet	revision									2	
index	sheet										



www.fciconnect.com

MM

product family USB code

size

55917

213

sheet

2

1 | 2

3

4

A

B

A

B

1 | 2

Pro/E

3

cage code 22526

4

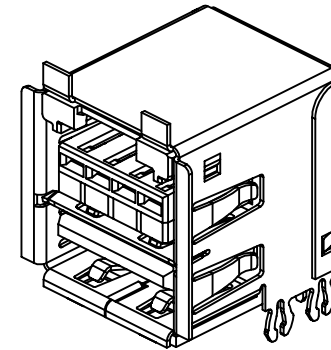
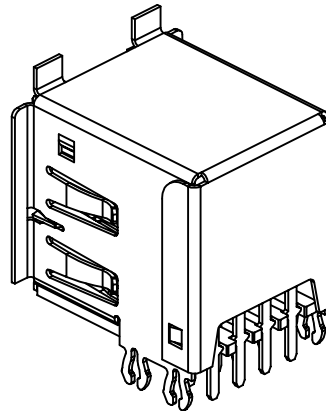
PDM: Rev:J

STATUS Released

Printed: Jul 28, 2010

NOTES:

1. MATERIAL:
HOUSINGS: HIGH TEMP ENGINEERING PLASTIC UL 94V-0
SHIELDS: HIGH STRENGTH COPPER ALLOY, PLATING: TIN/LEAD OR TIN OVER NICKEL
TERMINALS: HIGH STRENGTH COPPER ALLOY, PLATING: NICKEL UNDERPLATING
CONTACT AREA; 30 GXT MIN
TAIL AREA; TIN/LEAD OR MATTE TIN
2. DIMENSIONS AND TOLERANCES ARE IN ACCORDANCE WITH) ASME Y14.5M, 1994.
3. USB SECTION CONFORMS TO USB 2.0 SPECIFICATION.
4. MATING SEQUENCE WHEN MATED WITH USB+POWER PLUG
PRODUCT NUMBER 74233-XXX
5. CURRENT RATING IS 1.5 AMP PER CONTACT FOR THE STANDARD USB SECTION AND 3 OR 5 AMPS PER CONTACT FOR THE POWER SECTION WITH ALL CONTACTS POWER (SEE PART NUMBER TABLE), SEE GS-12-130 FOR PRODUCT TEST AND PERFORMANCE INFORMATION.
6. P/N'S WITH SUFFIX "LF" ARE LEAD FREE P/N'S
7. FOR LEAD FREE P/N, THE PRODUCT MEET EUROPEAN UNION DIRECTIVES AND OTHER COUNTRY REGULATION AS DESCRIBED IN GS-22-008
8. THE HOUSING WILL WITHSTAND EXPOSURE TO 260°C PEAK TEMPERATURE FOR 40 SECONDS IN A CONVECTION, INFRARED OR VAPOR PHASE REFLOW OVEN.
9. THIS PRODUCT IS MADE UNDER LICENSE OF IBM U.S. PATENT NO. 6334793



Tous droits strictement réservés. Reproduction ou communication a des tiers interdite sous quelque forme que ce soit sans autorisation écrite du propriétaire de c FCI. Droits de reproduction FCI.



All rights strictly reserved. Reproduction or issue to third parties in any form whatever is not permitted without written authority from the proprietor. Property of FCI. Copyright FCI.

CONTACT NUMBER	PRODUCT DASH NUMBER 55917-			MATING SEQ.
	-10X/50XLF	-20X/60XLF	-30X/70XLF	
1	VCC	VCC	VCC	2
2	- DATA	- DATA	- DATA	3
3	+ DATA	+ DATA	+ DATA	3
4	GROUND	GROUND	GROUND	2
5	12V GROUND	24V GROUND	5V GROUND	2
6	12V	24V	5V	3
7	12V	24V	5V	3
8	12V GROUND	24V GROUND	5V GROUND	2
SHELL	SHIELD	SHIELD	SHIELD	1

mat'l code				-		tolerances unless otherwise specified		CUSTOMER		FCI		
lir	ecn no.	dr	date	linear	0.X ± 0.3	COPY		www.fciconnect.com				
J					0.XX ± 0.20	projection		title		USB+POWER RECEPTACLE ASSEMBLY		
					.XXX ± 0.100	MM		product family		USB		
				angles	0° ± 2°	scale		size		213		
				dr	R.RINEHART 9/22/00	1:1		dwg no		55917		
				engr	R.MACMULLIN 9/22/00			sheet		3		
				chr	R.MACMULLIN 9/22/00			cage code		22526		
				appd	R.MACMULLIN 9/22/00							
sheet	revision											
index	sheet											

Tous droits strictement réservés. Reproduction ou communication a des tiers interdite sous quelque forme que ce soit sans autorisation écrite du propriétaire de c FCI. Droits de reproduction FCI.



All rights strictly reserved. Reproduction or issue to third parties in any form whatever is not permitted without written authority from the proprietor. Property of FCI. Copyright FCI.

PRODUCT NUMBER	DESCRIPTION	VOLTAGE	HOUSING COLOR	CURRENT RATING	REMARK
55917-100	RECPT. ASS'Y. KEY POSITION 1	12V	BLACK	3 AMPS	NON LEAD FREE PART,NOT AVAILABLE
55917-500LF	RECPT. ASS'Y. KEY POSITION 1	12V	BLACK	3 AMPS	LEAD FREE PART, SUBSTITUTE OF 55917-100
55917-800LF	RECPT. ASS'Y. KEY POSITION 1	12V	BLACK	5 AMPS	LEAD FREE PART, SUBSTITUTE OF 55917-500LF
55917-101	RECPT. ASS'Y. KEY POSITION 1	12V	TEAL	3 AMPS	NON LEAD FREE PART,NOT AVAILABLE
55917-501LF	RECPT. ASS'Y. KEY POSITION 1	12V	TEAL	3 AMPS	LEAD FREE PART, SUBSTITUTE OF 55917-101
55917-801LF	RECPT. ASS'Y. KEY POSITION 1	12V	TEAL	5 AMPS	LEAD FREE PART, SUBSTITUTE OF 55917-501LF
55917-200	RECPT. ASS'Y. KEY POSITION 2	24V	BLACK	3 AMPS	NON LEAD FREE PART,NOT AVAILABLE
55917-600LF	RECPT. ASS'Y. KEY POSITION 2	24V	BLACK	3 AMPS	LEAD FREE PART, SUBSTITUTE OF 55917-200
55917-000LF	RECPT. ASS'Y. KEY POSITION 2	24V	BLACK	5 AMPS	LEAD FREE PART, SUBSTITUTE OF 55917-600LF
55917-201	RECPT. ASS'Y. KEY POSITION 2	24V	RED	3 AMPS	NON LEAD FREE PART,NOT AVAILABLE
55917-601LF	RECPT. ASS'Y. KEY POSITION 2	24V	RED	3 AMPS	LEAD FREE PART, SUBSTITUTE OF 55917-201
55917-001LF	RECPT. ASS'Y. KEY POSITION 2	24V	RED	5 AMPS	LEAD FREE PART, SUBSTITUTE OF 55917-601LF
55917-300	RECPT. ASS'Y. KEY POSITION 3	5V	NATURAL	3 AMPS	NON LEAD FREE PART,NOT AVAILABLE
55917-700LF	RECPT. ASS'Y. KEY POSITION 3	5V	NATURAL	3 AMPS	LEAD FREE PART, SUBSTITUTE OF 55917-300
55917-900LF	RECPT. ASS'Y. KEY POSITION 3	5V	NATURAL	5 AMPS	LEAD FREE PART, SUBSTITUTE OF 55917-700LF

nat'l code		-		tolerances unless otherwise specified		CUSTOMER		FCI		www.fciconnect.com	
lir	ecn no.	dr	date	linear	0.X ± 0.3	projection	title				
J					0.XX ± 0.20		USB+POWER RECEPTACLE ASSEMBLY				
				angles	.XXX ±0.100		product family		code		
				dr	0° ±2°	scale	USB		213		
				engr	R.RINEHART 9/22/00	1:1	size		sheet		
				chr	R.MACMULLIN 9/22/00		55917		4		
				appd	R.MACMULLIN 9/22/00						
sheet	revision										
index	sheet										

1 | 2

3 |

4

1 | 2

Pro/E

3 |

cage code 22526

4

PDM: Rev:J

STATUS: Released

Printed: Jul 28, 2010