



Chipsmall Limited consists of a professional team with an average of over 10 year of expertise in the distribution of electronic components. Based in Hongkong, we have already established firm and mutual-benefit business relationships with customers from,Europe,America and south Asia,supplying obsolete and hard-to-find components to meet their specific needs.

With the principle of "Quality Parts,Customers Priority,Honest Operation,and Considerate Service",our business mainly focus on the distribution of electronic components. Line cards we deal with include Microchip,ALPS,ROHM,Xilinx,Pulse,ON,Everlight and Freescale. Main products comprise IC,Modules,Potentiometer,IC Socket,Relay,Connector.Our parts cover such applications as commercial,industrial, and automotives areas.

We are looking forward to setting up business relationship with you and hope to provide you with the best service and solution. Let us make a better world for our industry!



## Contact us

Tel: +86-755-8981 8866 Fax: +86-755-8427 6832

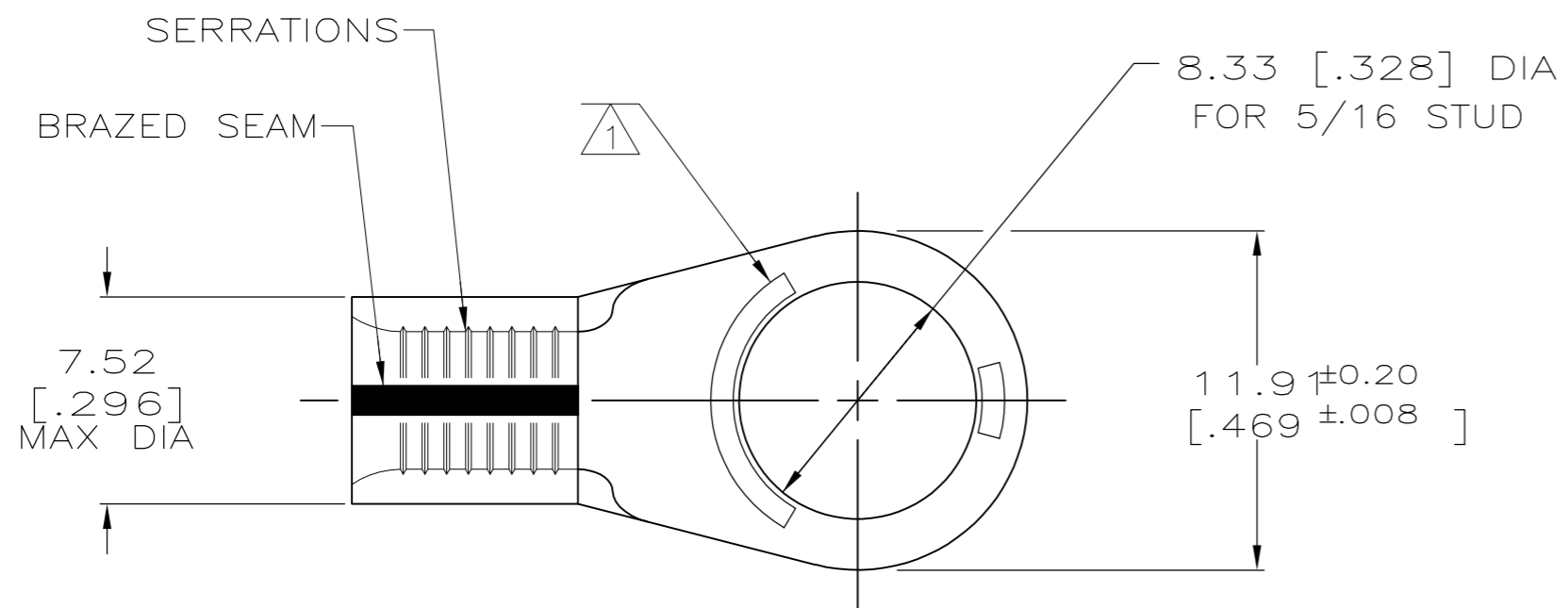
Email & Skype: info@chipsmall.com Web: www.chipsmall.com

Address: A1208, Overseas Decoration Building, #122 Zhenhua RD., Futian, Shenzhen, China

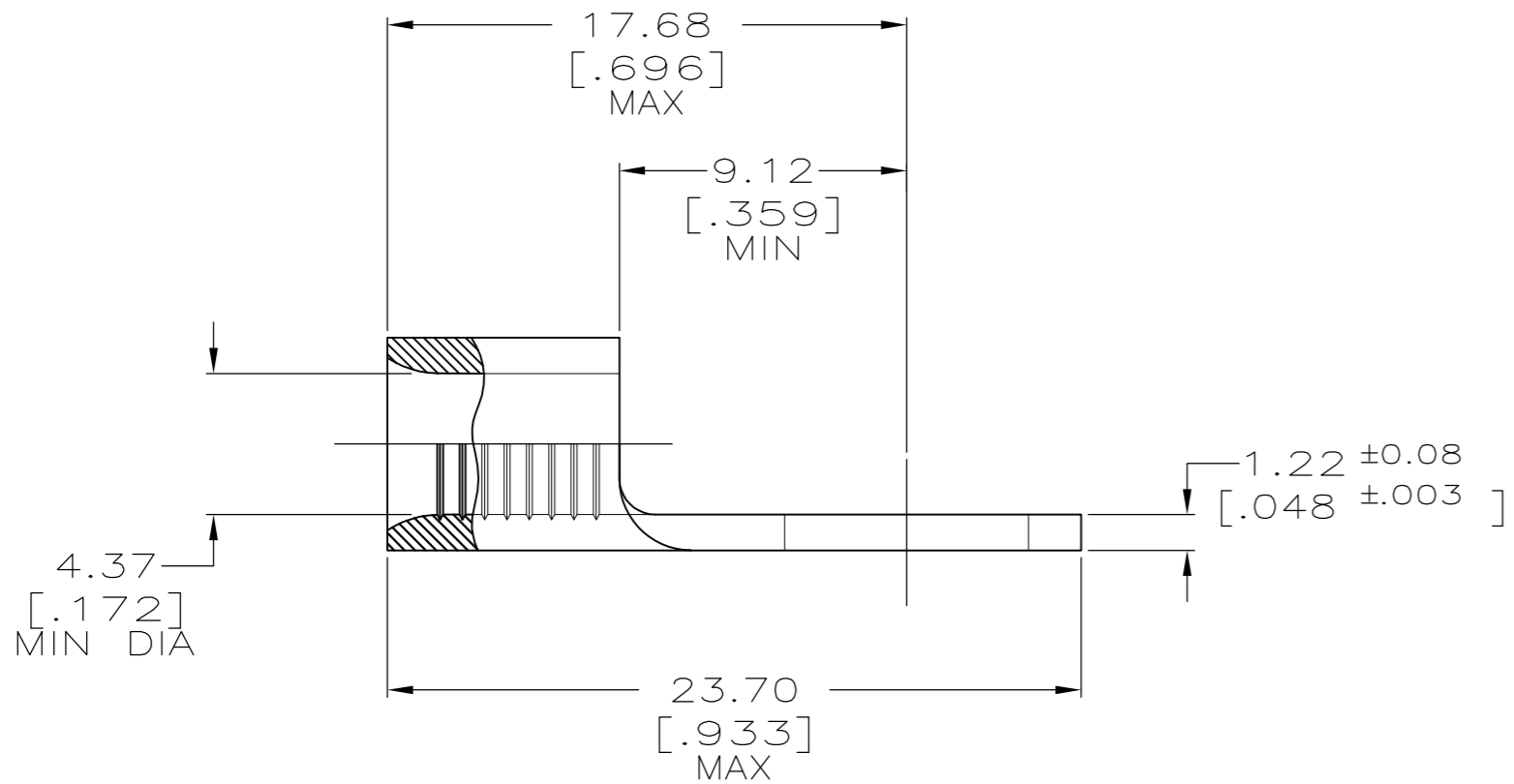


THIS DRAWING IS UNPUBLISHED. RELEASED FOR PUBLICATION  
 © COPYRIGHT BY TYCO ELECTRONICS CORPORATION. ALL INTERNATIONAL RIGHTS RESERVED.

LOC	DIST	REVISIONS			
P	LTR	DESCRIPTION	DATE	DWN	APVD
G	14	B1	REV PER ECR 09-027810	29DEC09	JR TM



<b>AMP</b> WIRE RANGE	Listed FILE E13288	LR7189 Certified
8 AWG SOLID OR STRANDED	8 AWG STRANDED	8 AWG SOLID OR STRANDED



- △1 STAMP AMP 8\* 14 APPROX AS SHOWN
- △2 PARTS ARE MOUNTED ON 30.48[1.200] CENTERS
- △3 COPPER PER ASTM B-152, ANNEALED
- △4 TIN PLATE 0.00254 [.000100] MIN THK PER ASTM B-545

1000	ON TAPE, REEL △2	55991-2
-	LOOSE PIECE	55991-1
QTY	PACKAGE TYPE	PART NO.

MAX RECOMMENDED OPERATING TEMPERATURE: 170°C MAX	THIS DRAWING IS A CONTROLLED DOCUMENT.		DWN DK SCHRUM 19AUG94	Tyco Electronics Corporation Harrisburg, PA 17105-3608
	VOLTAGE RATING: N/A	DIMENSIONS: MM [INCHES]	CHK DA PATTERSON 23AUG94	
CIRCULAR MIL AREA: 6.64-10.5mm² [13,100-20,800] SOLID OR STRANDED		TOLERANCES UNLESS OTHERWISE SPECIFIED:	APVD JL MECKLEY 23AUG94	NAME TERMINAL, RING TONGUE, SOLISTRAND
		MATERIAL - △3	FINISH - △4	PRODUCT SPEC APPLICATION SPEC
			WEIGHT -	CAGE CODE 00779
			CUSTOMER DRAWING	DRAWING NO C=55991
				RESTRICTED TO -
				SCALE 4:1
				SHEET 1 of 1
				REV B1