



Chipsmall Limited consists of a professional team with an average of over 10 year of expertise in the distribution of electronic components. Based in Hongkong, we have already established firm and mutual-benefit business relationships with customers from,Europe,America and south Asia,supplying obsolete and hard-to-find components to meet their specific needs.

With the principle of “Quality Parts,Customers Priority,Honest Operation,and Considerate Service”,our business mainly focus on the distribution of electronic components. Line cards we deal with include Microchip,ALPS,ROHM,Xilinx,Pulse,ON,Everlight and Freescale. Main products comprise IC,Modules,Potentiometer,IC Socket,Relay,Connector.Our parts cover such applications as commercial,industrial, and automotives areas.

We are looking forward to setting up business relationship with you and hope to provide you with the best service and solution. Let us make a better world for our industry!



Contact us

Tel: +86-755-8981 8866 Fax: +86-755-8427 6832

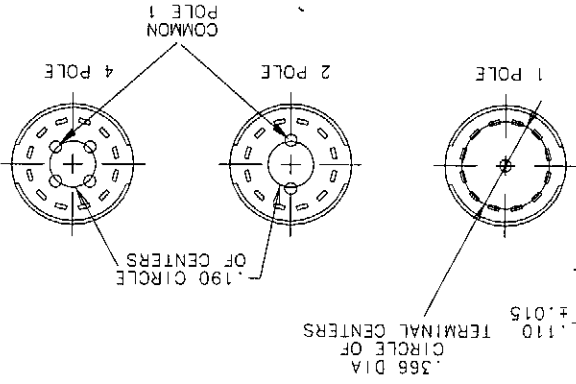
Email & Skype: info@chipsmall.com Web: www.chipsmall.com

Address: A1208, Overseas Decoration Building, #122 Zhenhua RD., Futian, Shenzhen, China

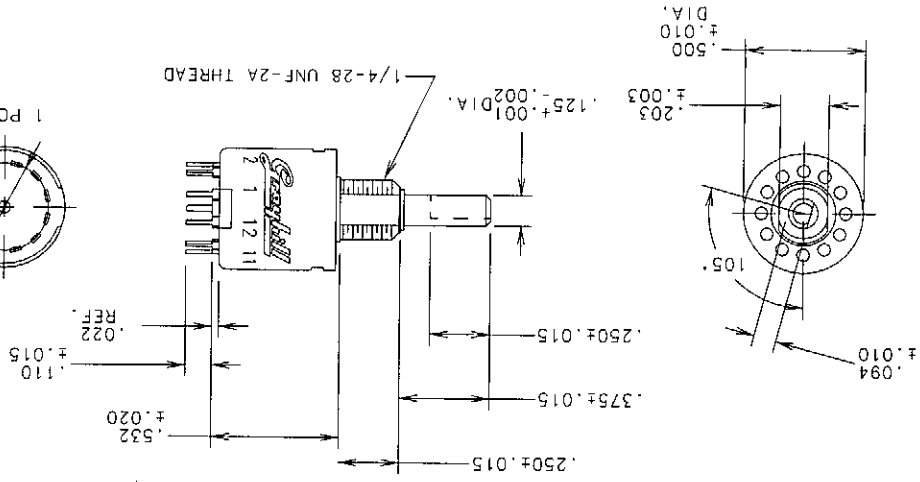


SWITCH DESCRIPTION

1. ONE DECK.
2. 1, 2, OR 4 POLES.
3. 12 POSITIONS.
4. SHORTING OR NON-SHORTING.
5. FLAT ALIGNMENT OPPOSITE POINT OF CONTACT OF POLE #1.
6. STOP PINS AND SILVER STICKER SHIPPED LOOSE.



FINAL SWITCH ASSEMBLY
(THIS ILLUSTRATION IS TYPICAL)



PART NUMBER
55DP30-01-X-A1X

NUMBER OF POLES
ADJUSTABLE POSITIONS
CONTACT TYPE (N=NONSHORTING, S=SHORTING)

ECN #	ISSUE	APP/DATE	DESCRIPTION
348816	L	PPG	REDRAWN IN CADAM, CSR 9-29-03
	A	VN	ORIGINAL JJP

REVISIONS

SCALE	SHEET 1 OF 1
SIZE	55DP30-X
DWG. NO.	B
ISSUE	M
CAGE NO.	81073
CADAM DRAWING	55DP30-X-M-001
GRAYHILL STANDARD	
CUSTOMER NAME & PART NO.	
DATE	JJP 1-4-82
CHECKED	VN 3-28-83
SPEC. FEATURE:	
STYLE:	"DP"
S.O.#:	
INDEXING:	30
SD/PR#:	
<p>GRAYHILL, INC. 561 HILLGROVE AVE. LA GRANGE, IL 60525 PHONE (708) 354-1040</p>	

ALL REVISIONS TO THIS DRAWING
MUST BE MADE ON THE CAD SYSTEM