



Chipsmall Limited consists of a professional team with an average of over 10 year of expertise in the distribution of electronic components. Based in Hongkong, we have already established firm and mutual-benefit business relationships with customers from,Europe,America and south Asia,supplying obsolete and hard-to-find components to meet their specific needs.

With the principle of “Quality Parts,Customers Priority,Honest Operation,and Considerate Service”,our business mainly focus on the distribution of electronic components. Line cards we deal with include Microchip,ALPS,ROHM,Xilinx,Pulse,ON,Everlight and Freescale. Main products comprise IC,Modules,Potentiometer,IC Socket,Relay,Connector.Our parts cover such applications as commercial,industrial, and automotives areas.

We are looking forward to setting up business relationship with you and hope to provide you with the best service and solution. Let us make a better world for our industry!



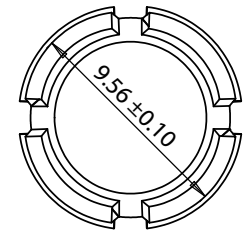
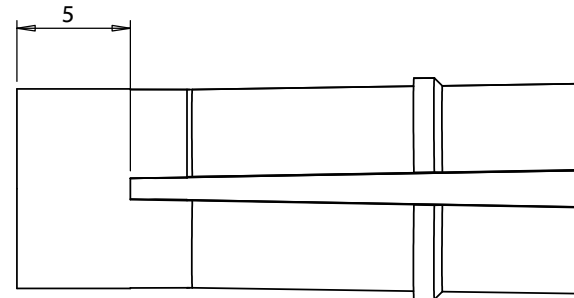
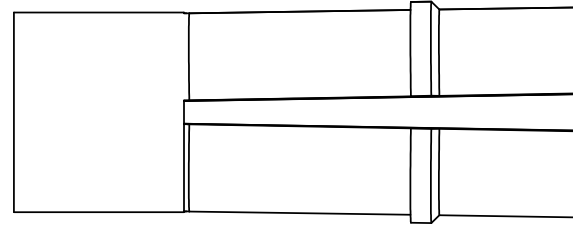
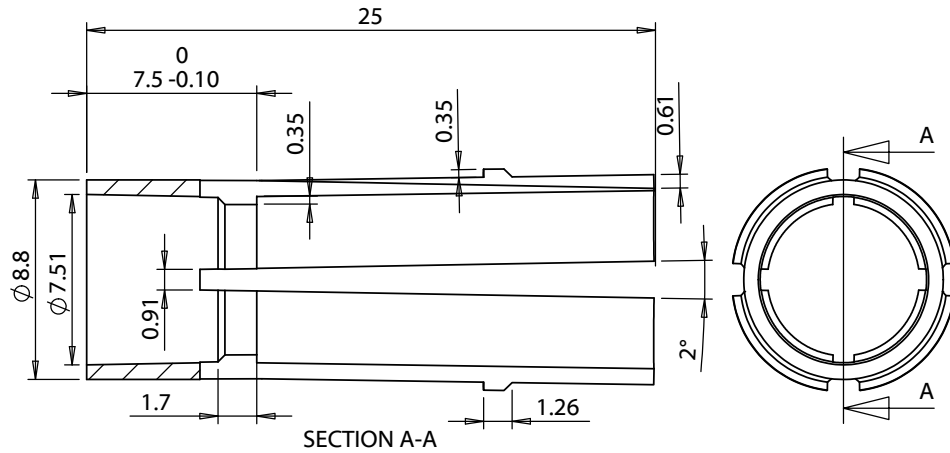
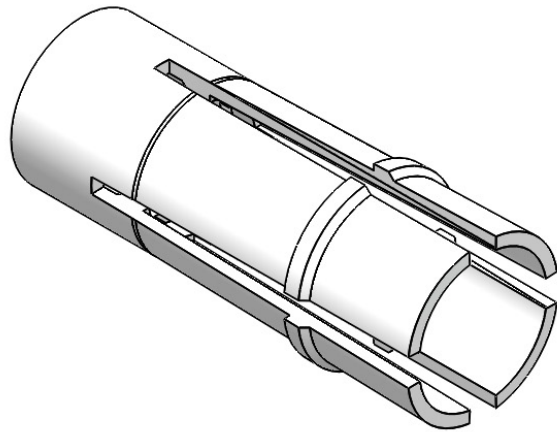
Contact us

Tel: +86-755-8981 8866 Fax: +86-755-8427 6832

Email & Skype: info@chipsmall.com Web: www.chipsmall.com

Address: A1208, Overseas Decoration Building, #122 Zhenhua RD., Futian, Shenzhen, China





Revision:	Date:	Description:	Prepared:	Notes:	<h1>TENSILITY</h1> tel 1.541.323.3228 800 877.670.7118 fax 1.541.323.4202 web tensility.com
A1	10/18/2016	Increased diameter to 7.95	AG <small>Digitally signed by AG Date: 2018.02.14 16:33:51 -08'00'</small>		
A2	10/28/2016	Updated dimensions	Verified: LA <small>Digitally signed by LA Date: 2018.02.14 17:16:01 -08'00'</small>	Function test: no open, no short circuit, no intermittent	Size: Part number: A 56-00002
A3	11/2/2016	Updated inner diameter			
A4	3/8/2017	Updated latch design			
A5	7/14/2017	Updated design			
A6	7/17/2017	Changed material to Nylon			
A7	8/28/2017	Changed rib length to 1.7 mm			