



Chipsmall Limited consists of a professional team with an average of over 10 year of expertise in the distribution of electronic components. Based in Hongkong, we have already established firm and mutual-benefit business relationships with customers from,Europe,America and south Asia,supplying obsolete and hard-to-find components to meet their specific needs.

With the principle of “Quality Parts,Customers Priority,Honest Operation,and Considerate Service”,our business mainly focus on the distribution of electronic components. Line cards we deal with include Microchip,ALPS,ROHM,Xilinx,Pulse,ON,Everlight and Freescale. Main products comprise IC,Modules,Potentiometer,IC Socket,Relay,Connector.Our parts cover such applications as commercial,industrial, and automotives areas.

We are looking forward to setting up business relationship with you and hope to provide you with the best service and solution. Let us make a better world for our industry!



Contact us

Tel: +86-755-8981 8866 Fax: +86-755-8427 6832

Email & Skype: info@chipsmall.com Web: www.chipsmall.com

Address: A1208, Overseas Decoration Building, #122 Zhenhua RD., Futian, Shenzhen, China



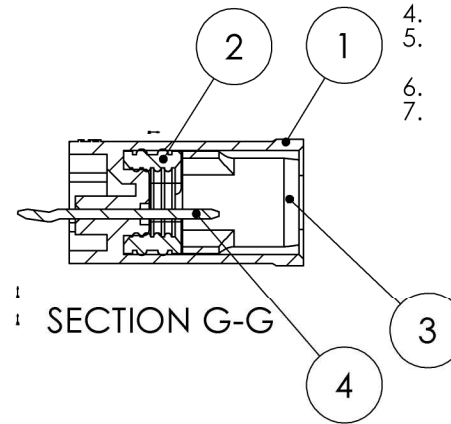
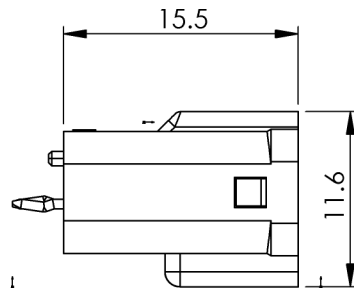
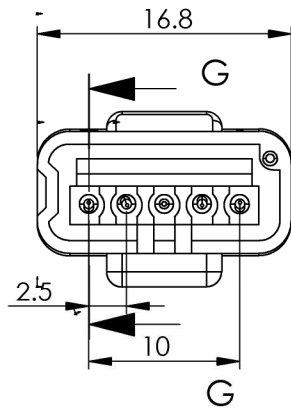
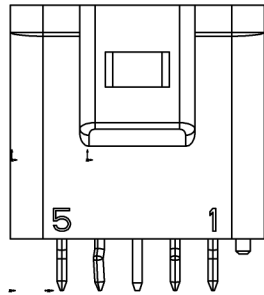
THIS IS A C.A.D. GENERATED DRAWING
DO NOT MAKE MANUAL REVISIONS TO MASTER



ISSUE NUMBER

ORIGINAL

1

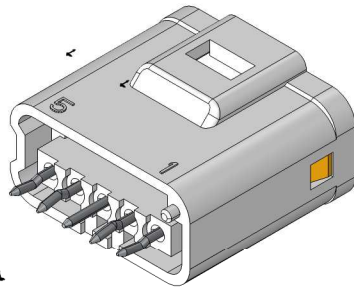


MATERIALS:

1. HOUSING: PBT, UL94V-0, WHITE COLOR
2. INSULATOR: PBT, UL94V-0, WHITE COLOR
3. WIRE-HOUSING SEAL: SILICON RUBBER
4. PCB CONTACT: BRASS, TIN PLATED

SPECIFICATIONS

1. PITCH: 2.5MM
1. RATED VOLTAGE: 250V
2. RATED CURRENT: 3A MAX
3. WITHSTAND VOLTAGE: AC 1000V R.M.S.
4. CONTACT RESISTANCE: 15 mOHMS MAX
5. INSULATION RESISTANCE: 1000 MOHMS MIN/DC 500V
6. TEMPERATURE RANGE: -40°C ~ +105°C
7. WATERPROOF GRADE: TESTED AND CERTIFIED TO IP67



ITEM NO.	DESCRIPTION	QTY.
1	PCB-HEADER-HOUSING-5P	1
2	INTERNAL-WIRE-SEAL-5POS	1
3	FACIAL_SEAL_5POS	1
4	PCB-HEADER-CONTACT-5P	5

Waterproof Connector, Insulator, Male, White, 5Pin
560-005-420-101

ACAD REFERENCE NO. 560-005-420-101

DRAWN: R.STA.MONICA DATE: NOV.06/15

CHECKED: DATE:

SCALE: NOT TO SCALE SHEET 1 OF 1

DRAWING NUMBER ISSUE

560-005-420-101

1



THIS SERIES FULLY CONFORMS TO THE
EUROPEAN UNION DIRECTIVES
2011/65/EU FOR RoHS COMPLIANCY

EDAC EDAC INC
TORONTO, ONTARIO
CANADA
YOUR CONNECTION TO QUALITY & SERVICE

THESE DRAWINGS AND SPECIFICATIONS
ARE THE PROPERTY OF EDAC INC., AND
SHALL NOT BE REPRODUCED, OR COPIED
OR USED AS THE BASIS FOR THE
MANUFACTURE OR SALE OF APPARATUS
WITHOUT WRITTEN PERMISSION.