



Chipsmall Limited consists of a professional team with an average of over 10 year of expertise in the distribution of electronic components. Based in Hongkong, we have already established firm and mutual-benefit business relationships with customers from,Europe,America and south Asia,supplying obsolete and hard-to-find components to meet their specific needs.

With the principle of "Quality Parts,Customers Priority,Honest Operation,and Considerate Service",our business mainly focus on the distribution of electronic components. Line cards we deal with include Microchip,ALPS,ROHM,Xilinx,Pulse,ON,Everlight and Freescale. Main products comprise IC,Modules,Potentiometer,IC Socket,Relay,Connector.Our parts cover such applications as commercial,industrial, and automotives areas.

We are looking forward to setting up business relationship with you and hope to provide you with the best service and solution. Let us make a better world for our industry!



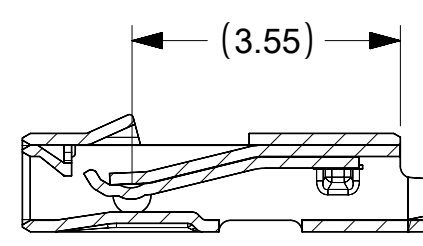
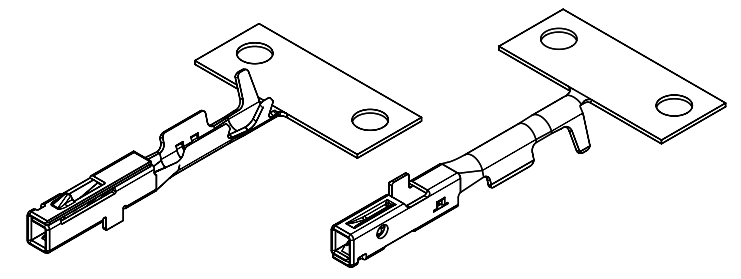
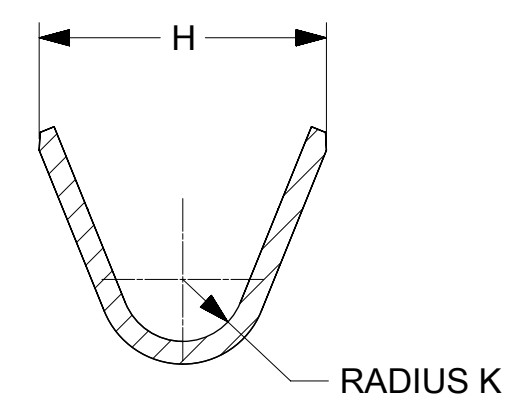
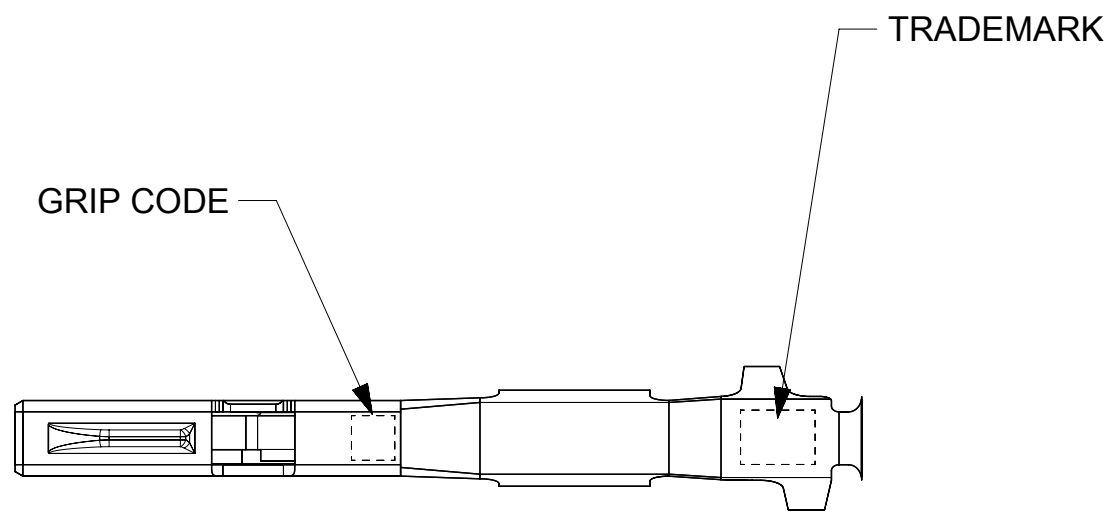
Contact us

Tel: +86-755-8981 8866 Fax: +86-755-8427 6832

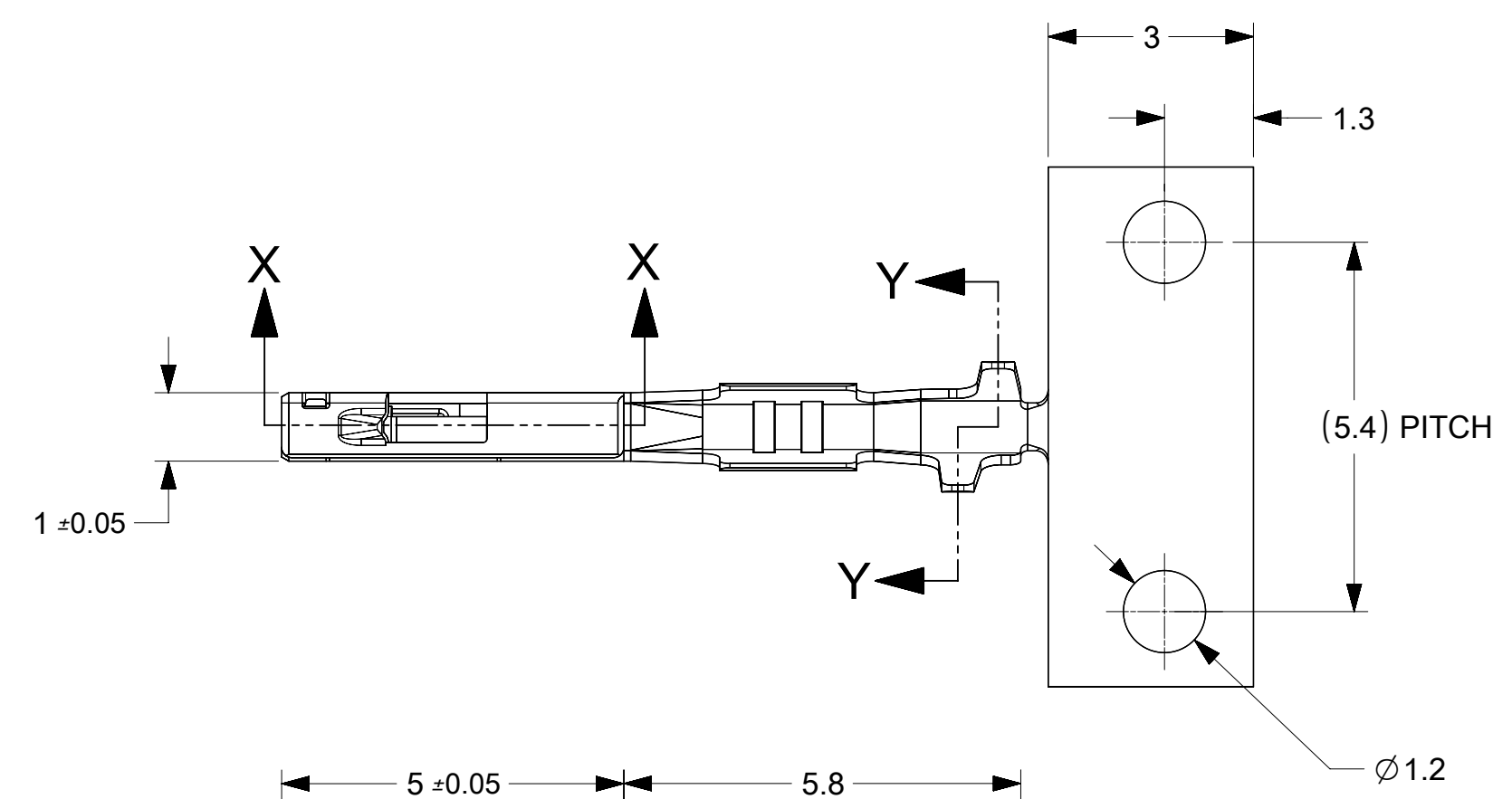
Email & Skype: info@chipsmall.com Web: www.chipsmall.com

Address: A1208, Overseas Decoration Building, #122 Zhenhua RD., Futian, Shenzhen, China

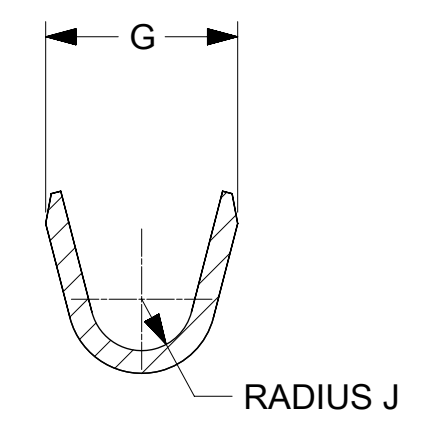




SECTION X-X
SCALE 10:1
PARTIAL



SECTION Y-Y
SCALE 20:1



SECTION Z-Z
SCALE 20:1

- NOTES: (UNLESS OTHERWISE SPECIFIED)
1. MATERIAL: COPPER ALLOY
 2. PLATING: SEE TABLE 1
 3. PACKAGING PER PK-31301-319
 4. CRIMPING PER AS-560023-001
 5. PROBING THE CONTACT INTERFACE OF THE TERMINAL OR AT ANY POINT ON THE TERMINAL BEAM IS NOT PERMITTED
 6. -0422, -0424 TO BE DISCONTINUED AND REPLACED WITH -0444, -0445
-0444, -0445 VALIDATED TO USCAR21 REV3
SECTIONS 4.3, 4.4, & 4.5.2.

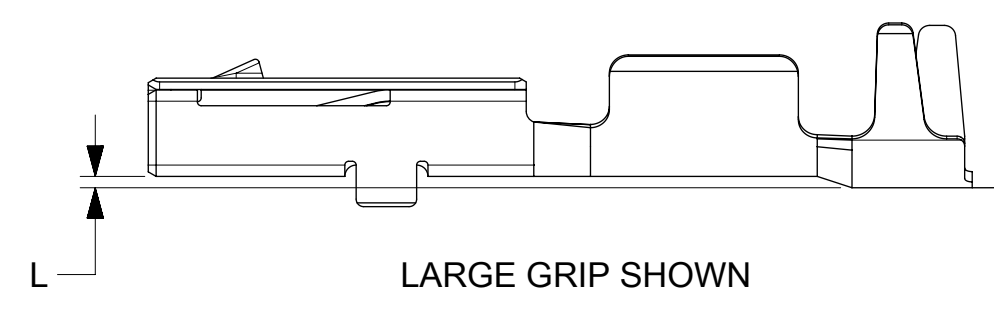
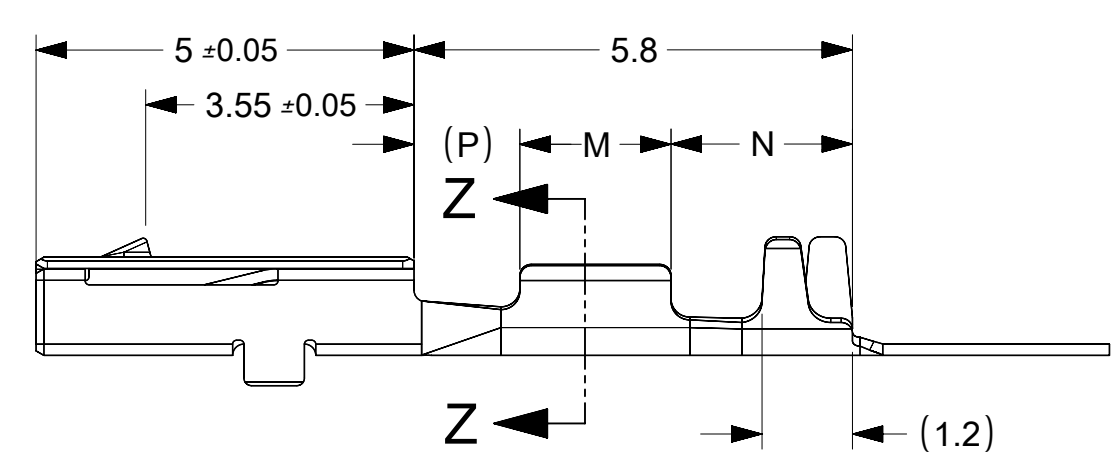
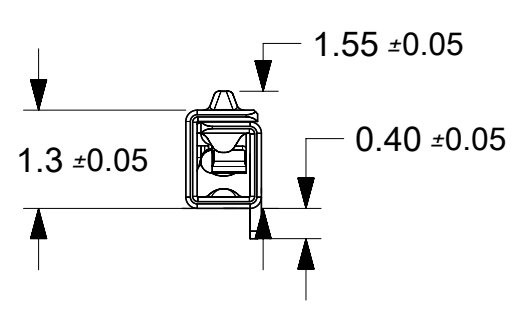


TABLE 1

PART NUMBERS		Plating	STATUS	GRIP CODE	WIRE GAGE mm ²	INSULATION MAX O.D. mm	DIM G	DIM H	DIM J	DIM K	DIM L	DIM M	DIM N	DIM P
D-WIND (LEFT PAYOFF) DEFAULT	B-WIND (RIGHT PAYOFF)						+0.20 -0.15	±0.20	±0.10	±0.20	±0.05	±0.10	±0.10	REF
560023-0421	560023-0423	Sn	SALEABLE	M	0.22	1.20	1.65	2.25	0.45	0.47	0.00	2.00	2.4	1.4
560023-0422*	560023-0424*	Sn		S	0.13	1.05	1.27	1.90	0.34	0.41	0.00	2.00	2.4	1.4
560023-0444	560023-0445	Sn		S	0.13	1.05	1.32	1.90	0.24	0.41	0.00	2.50	2.2	1.1
560023-0448	560023-0450	Sn	IN VALIDATION	L	0.35	1.40	1.65	2.35	0.40	0.68	0.15	2.50	2.2	1.1
560023-0521	560023-0523	Au		M	0.22	1.20	1.65	2.25	0.45	0.47	0.00	2.00	2.4	1.4
560023-0544	560023-0545	Au		S	0.13	1.05	1.32	1.90	0.24	0.41	0.00	2.50	2.2	1.1
560023-0548	560023-0550	Au	SALEABLE	L	0.35	1.40	1.65	2.35	0.40	0.68	0.15	2.50	2.2	1.1

*SMALL GRIP CHANGE (SEE NOTE 6)

THIS DRAWING CONTAINS INFORMATION THAT IS PROPRIETARY TO MOLEX ELECTRONIC TECHNOLOGIES, LLC AND SHOULD NOT BE USED WITHOUT WRITTEN PERMISSION

QUALITY SYMBOLS	EC NO: 114242	DRWN: JBURGIO	CHKD: TOMSMITH	REV: APPR: 2017/03/10	GENERAL TOLERANCES (UNLESS SPECIFIED)		DIMENSION UNITS		SCALE
					MM	INCH	MM	15:1	
▽ = 0	EC DESCRIPTION	2017/03/07	2017/03/10	H1	4 PLACES ± --- ± ---		DRWN BY		DATE
▽ = 0					3 PLACES ± --- ± ---		TJSMITH		2009/05/02
▽ = 0					2 PLACES ± 0.10 ± ---		CHK'D BY		DATE
▽ = 0					1 PLACES ± 0.10 ± ---		DNICHOLAS		2009/05/20
▽ = 0					0 PLACES ± --- ± ---		APPR BY		DATE
▽ = 0					BMOSE		2009/05/20		
▽ = 0	ANGULAR TOL = 5		DRAWING SIZE		THIRD ANGLE PROJECTION				
▽ = 0	DRAFT WHERE APPLICABLE MUST REMAIN WITHIN DIMENSIONS		C						

CTX50 RECEPTACLE TERMINAL UNSEALED

PRODUCT CUSTOMER DRAWING

SERIES	MATERIAL NUMBER	CUSTOMER
560023	SEE TABLE	GENERAL MARKET
DOCUMENT NUMBER	DOC TYPE	DOC PART SHEET NUMBER
SD-560023-002	PSD	000 1 OF 2