



Chipsmall Limited consists of a professional team with an average of over 10 year of expertise in the distribution of electronic components. Based in Hongkong, we have already established firm and mutual-benefit business relationships with customers from,Europe,America and south Asia,supplying obsolete and hard-to-find components to meet their specific needs.

With the principle of “Quality Parts,Customers Priority,Honest Operation,and Considerate Service”,our business mainly focus on the distribution of electronic components. Line cards we deal with include Microchip,ALPS,ROHM,Xilinx,Pulse,ON,Everlight and Freescale. Main products comprise IC,Modules,Potentiometer,IC Socket,Relay,Connector.Our parts cover such applications as commercial,industrial, and automotives areas.

We are looking forward to setting up business relationship with you and hope to provide you with the best service and solution. Let us make a better world for our industry!



Contact us

Tel: +86-755-8981 8866 Fax: +86-755-8427 6832

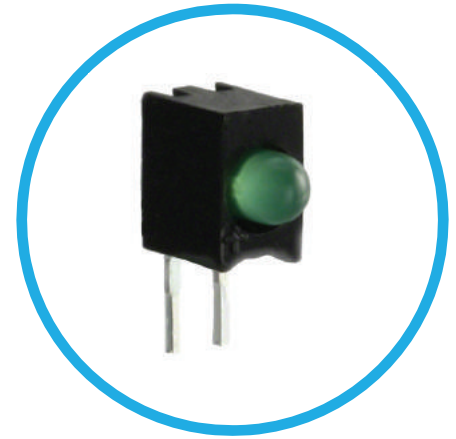
Email & Skype: info@chipsmall.com Web: www.chipsmall.com

Address: A1208, Overseas Decoration Building, #122 Zhenhua RD., Futian, Shenzhen, China

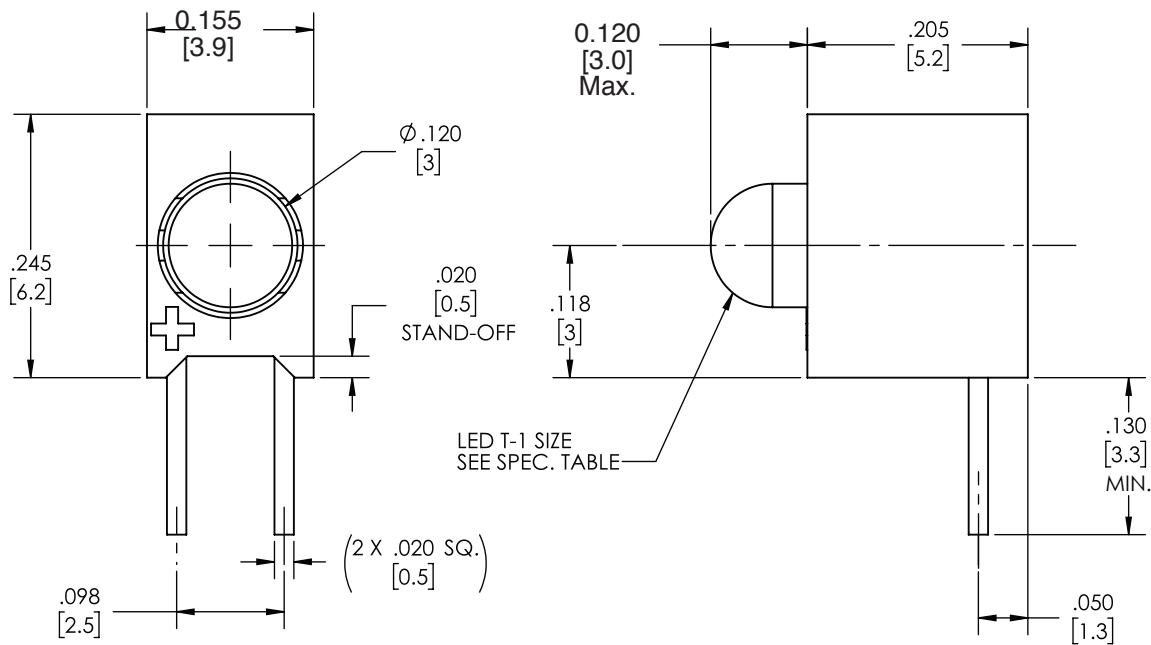




5600 Series 3mm (T-1) LED Through Hole Right Angle Circuit Board Indicator



Dimensions and Features



Dimensions in inches [mm]

Features

- Small T-1 size lamp preassembled into plastic block.
- Height and spacing alignment, saves assembly cost.
- Super Brite and High Brite LEDs.
- High light output - diffused lens.
- High contrast ratio.
- Low current - only 2 mA.
- Built-in resistor chip operates off 5 volt supply without external resistor.
- Standoffs prevent flux entrapment.

Housing: Black Polyester, UL94V-0

Note: Alternate LEDs are also available in this package as a standard variation.

Electro-Optical Characteristics and Rating

Part Number	Color	Lum. Intensity Typ (mcd)	Rated Current (mA)	Peak Forward Current Max (mA)	Forward Voltage Typ. (V)	Forward Voltage Max. (V)	Reverse Voltage (V)	Peak Wavelength (nm)
5600F1	Red	16	10	60	2.0	3.0	3	650
5600F5	Green	25	10	60	2.1	3.0	3	563
5600F6	Blue	100	-	100	4.9	5.5	5	430
5600F7	Yellow	16	10	60	2.1	3.0	5	585
5600F1LC	Red	2.1	2.0	7	1.8	2.0	5	635
5600F5LC	Green	1.6	2.0	7	1.8	2.8	5	565
5600F7LC	Yellow	2.1	2.0	7	1.9	2.5	5	583
5602F1-5V	Red	8.0	14.5	20	5.1	8.2	5	635
5602F5-5V	Green	8.0	10	15	5	7.5	5	565

Compliances and Approvals

