



Chipsmall Limited consists of a professional team with an average of over 10 year of expertise in the distribution of electronic components. Based in Hongkong, we have already established firm and mutual-benefit business relationships with customers from,Europe,America and south Asia,supplying obsolete and hard-to-find components to meet their specific needs.

With the principle of “Quality Parts,Customers Priority,Honest Operation,and Considerate Service”,our business mainly focus on the distribution of electronic components. Line cards we deal with include Microchip,ALPS,ROHM,Xilinx,Pulse,ON,Everlight and Freescale. Main products comprise IC,Modules,Potentiometer,IC Socket,Relay,Connector.Our parts cover such applications as commercial,industrial, and automotives areas.

We are looking forward to setting up business relationship with you and hope to provide you with the best service and solution. Let us make a better world for our industry!



Contact us

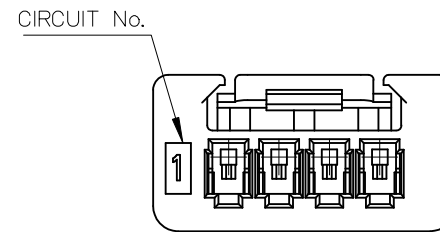
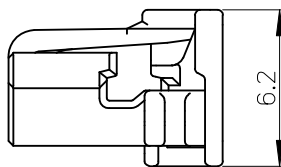
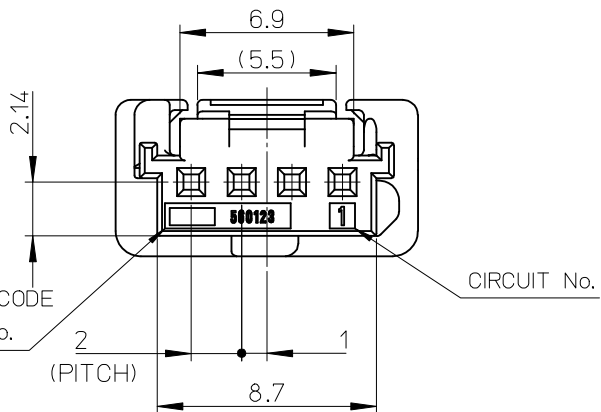
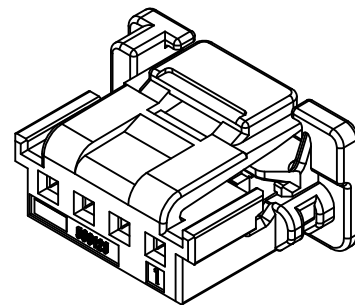
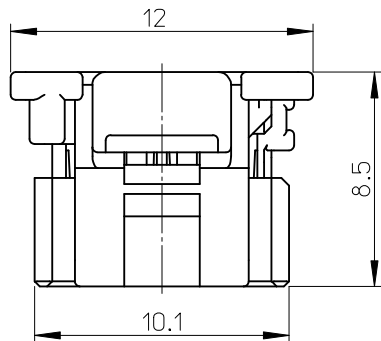
Tel: +86-755-8981 8866 Fax: +86-755-8427 6832

Email & Skype: info@chipsmall.com Web: www.chipsmall.com

Address: A1208, Overseas Decoration Building, #122 Zhenhua RD., Futian, Shenzhen, China



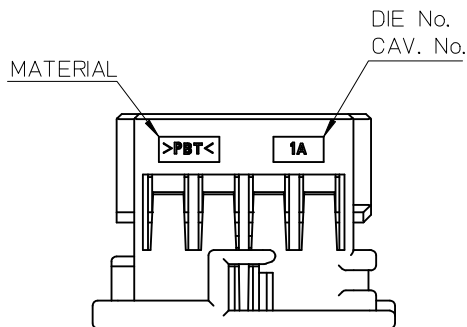
GENERAL TOLERANCE										USED ON
10 MAX	30 MAX	50 MAX	70 MAX	100 MAX	120 MAX	250 MAX	250 OVR	ANGLE	ECCENT	
±0.15	±0.20	±0.30	±0.40	±0.50	±0.75	±0.90	±1.4	±0.5°	0.1	



NOTES:

1. MATERIALS: POLYESTER (PBT), GLASS FILLED, UL94V-0
2. MATES WITH: 502352, 560020 SERIES
3. APPLICABLE TERMINAL : 560124-0101, 560124-0131
4. APPLICABLE ISL : 560125-0400
5. GENERAL TOLERANCES : SEE TABLE
6. EVL AND RoHS COMPLIANT
7. PRODUCT SPECIFICATION: PS-560123-001
8. PACKING SPECIFICATION: PK-560123-001

ORDER NO.	MATERIAL NO.	COLOR
560123-0400	5601230400	WHITE
560123-0401	5601230401	BLACK
560123-0402	5601230402	RED
560123-0404	5601230404	BLUE



ADDED OPTION EC NO: KTR2016-0056 DRWNS:JLEE06 2016/02/23 CHKD:BCY00N 2016/02/23 APPR:JYCHO1 2016/02/25	QUALITY SYMBOLS ▽=0 ◻=0	GENERAL TOLERANCES (UNLESS SPECIFIED)		DIMENSION STYLE MM ONLY		SCALE	DESIGN UNITS	THIRD ANGLE PROJECTION	
		mm	INCH	DRAWN BY	DATE	TITLE	DOCUMENT NO.	SHEET NO.	
REV	DESCRIPTION	4 PLACES	± ---	± ---	Y1BAEK	2014/07/03	NEW 2.0 PITCH W/B CONN. REC. 4WAY HSG DURA CLIK™ ISL SERIES MOLEX INCORPORATED	SD-560123-002	1 OF 1
		3 PLACES	± ---	± ---	CHECKED BY	DATE			
		2 PLACES	± ---	± ---	BCY00N	2014/07/03			
		1 PLACE	± ---	± ---	APPROVED BY	DATE			
		ANGULAR ± ---°		SRTAK	2014/08/26				
DRAFT WHERE APPLICABLE MUST REMAIN WITHIN DIMENSIONS		SEE TABLE		THIS DRAWING CONTAINS INFORMATION THAT IS PROPRIETARY TO MOLEX INCORPORATED AND SHOULD NOT BE USED WITHOUT WRITTEN PERMISSION					