



Chipsmall Limited consists of a professional team with an average of over 10 year of expertise in the distribution of electronic components. Based in Hongkong, we have already established firm and mutual-benefit business relationships with customers from,Europe,America and south Asia,supplying obsolete and hard-to-find components to meet their specific needs.

With the principle of "Quality Parts,Customers Priority,Honest Operation,and Considerate Service",our business mainly focus on the distribution of electronic components. Line cards we deal with include Microchip,ALPS,ROHM,Xilinx,Pulse,ON,Everlight and Freescale. Main products comprise IC,Modules,Potentiometer,IC Socket,Relay,Connector.Our parts cover such applications as commercial,industrial, and automotives areas.

We are looking forward to setting up business relationship with you and hope to provide you with the best service and solution. Let us make a better world for our industry!



Contact us

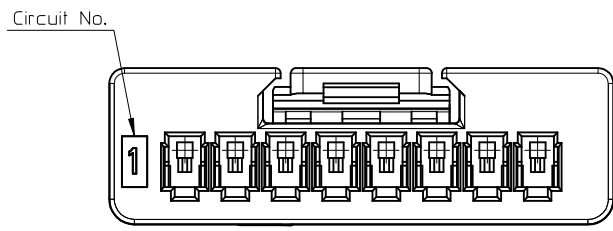
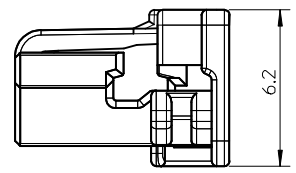
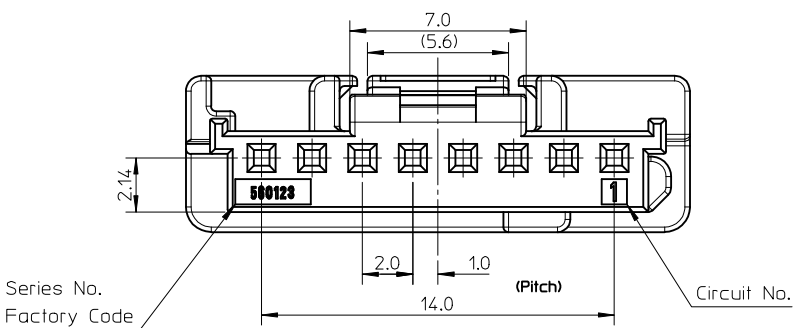
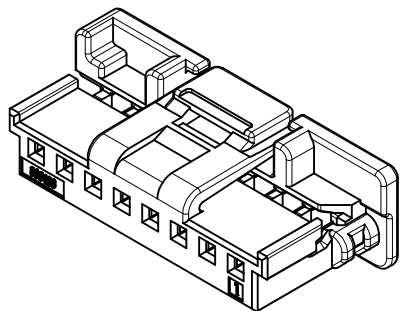
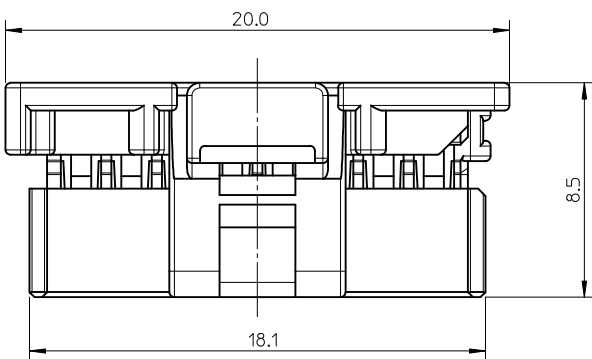
Tel: +86-755-8981 8866 Fax: +86-755-8427 6832

Email & Skype: info@chipsmall.com Web: www.chipsmall.com

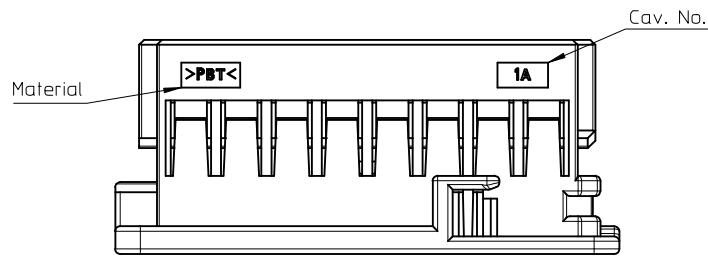
Address: A1208, Overseas Decoration Building, #122 Zhenhua RD., Futian, Shenzhen, China



GENERAL TOLERANCE										USED ON
10 MAX	30 MAX	50 MAX	70 MAX	100 MAX	120 MAX	250 MAX	250 OVR	ANGLE	ECCENT	
±0.15	±0.20	±0.30	±0.40	±0.50	±0.75	±0.90	±1.4	±0.5°	0.1	



- NOTES:
1. MATERIALS : POLYESTER (PBT), GLASS FILLED, UL94V-0
 2. MATES WITH : 502352, 560020 SERIES
 3. APPLICABLE TERMINAL : 560124-0101, 560124-0131
 4. APPLICABLE ISL : 560125-0800
 5. GENERAL TOLERANCES : SEE TABLE
 6. ELV AND RoHS COMPLIANT
 7. PRODUCT SPECIFICATION : PS-560123-001
 8. PACKING SPECIFICATION : PK-560123-001



ORDER NO.	MATERIAL NO.	COLOR
560123-0800	5601230800	WHITE
560123-0801	5601230801	BLACK
560123-0802	5601230802	RED
560123-0804	5601230804	BLUE

ADDED OPTION EC NO: KTR2016-0056 DRWNS:JLEE06 2016/02/23 CHKD:BCYOON 2016/02/23 APPR:JYCHO1 2016/02/25	QUALITY SYMBOLS = 0 = 0	GENERAL TOLERANCES (UNLESS SPECIFIED)		DIMENSION STYLE MM ONLY		SCALE METRIC	DESIGN UNITS METRIC		THIRD ANGLE PROJECTION		
				DRAWN BY: Y1BAEK CHECKED BY: BCYOON APPROVED BY: SRTAK	DATE: 2014/07/08 DATE: 2014/07/08 DATE: 2014/08/26		TITLE NEW 2.0 PITCH W/B CONN. REC. 8WAY HSG DURACLIK™ ISL SERIES		MOLEX INCORPORATED		SHEET NO. 1 OF 1
		DRAFT WHERE APPLICABLE MUST REMAIN WITHIN DIMENSIONS		SEE TABLE		DOCUMENT NO. SD-560123-005					
						SIZE A3		THIS DRAWING CONTAINS INFORMATION THAT IS PROPRIETARY TO MOLEX INCORPORATED AND SHOULD NOT BE USED WITHOUT WRITTEN PERMISSION			