



Chipsmall Limited consists of a professional team with an average of over 10 year of expertise in the distribution of electronic components. Based in Hongkong, we have already established firm and mutual-benefit business relationships with customers from,Europe,America and south Asia,supplying obsolete and hard-to-find components to meet their specific needs.

With the principle of “Quality Parts,Customers Priority,Honest Operation,and Considerate Service”,our business mainly focus on the distribution of electronic components. Line cards we deal with include Microchip,ALPS,ROHM,Xilinx,Pulse,ON,Everlight and Freescale. Main products comprise IC,Modules,Potentiometer,IC Socket,Relay,Connector.Our parts cover such applications as commercial,industrial, and automotives areas.

We are looking forward to setting up business relationship with you and hope to provide you with the best service and solution. Let us make a better world for our industry!



Contact us

Tel: +86-755-8981 8866 Fax: +86-755-8427 6832

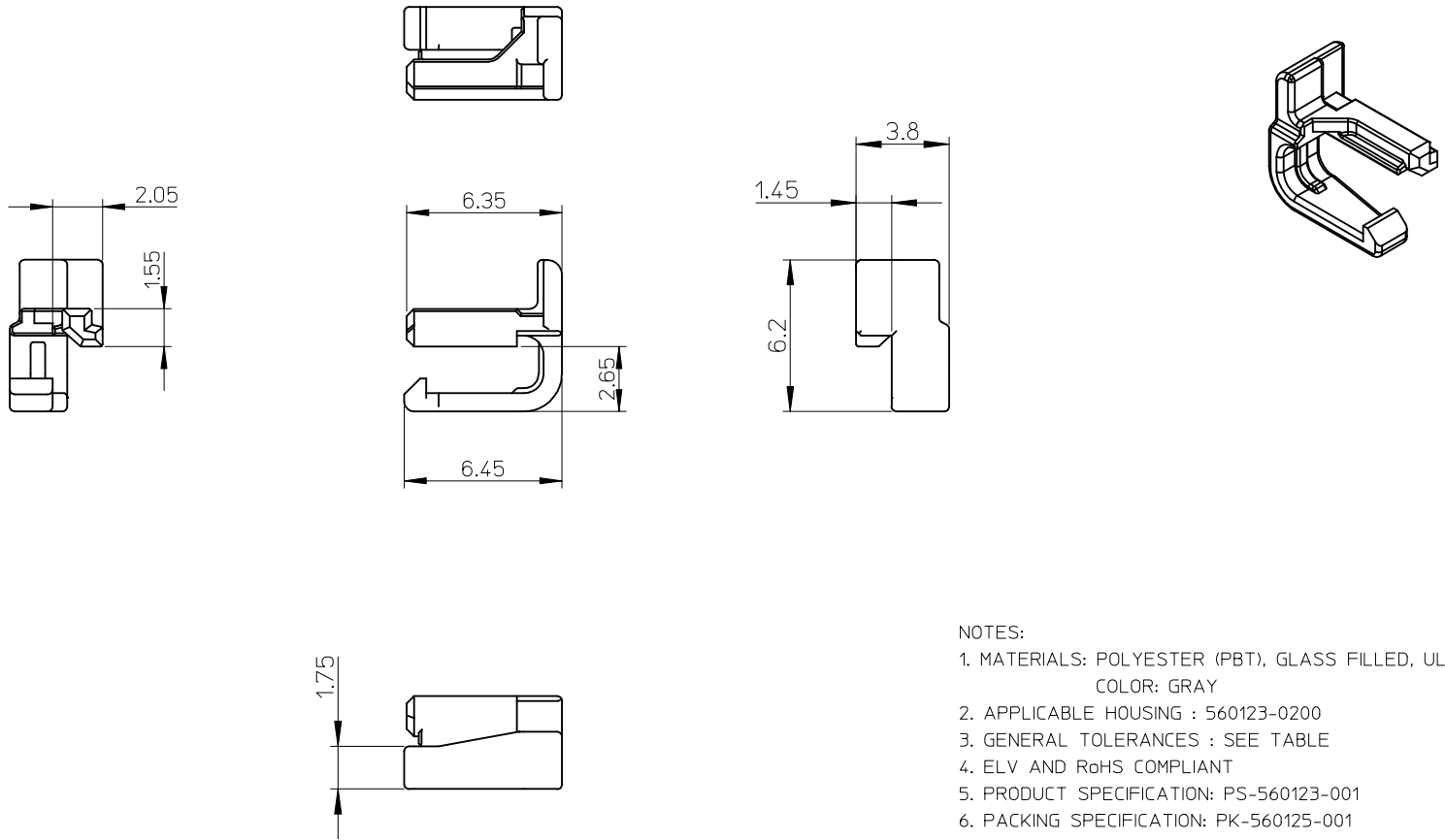
Email & Skype: info@chipsmall.com Web: www.chipsmall.com

Address: A1208, Overseas Decoration Building, #122 Zhenhua RD., Futian, Shenzhen, China



10 9 8 7 6 5 4 3 2 1

GENERAL TOLERANCE										USED ON
10 MAX	30 MAX	50 MAX	70 MAX	100 MAX	120 MAX	250 MAX	250 OVR	ANGLE	ECCENT	
±0.15	±0.20	±0.30	±0.40	±0.50	±0.75	±0.90	±1.4	±0.5°	0.1	



- NOTES:
1. MATERIALS: POLYESTER (PBT), GLASS FILLED, UL94V-0, COLOR: GRAY
 2. APPLICABLE HOUSING : 560123-0200
 3. GENERAL TOLERANCES : SEE TABLE
 4. ELV AND RoHS COMPLIANT
 5. PRODUCT SPECIFICATION: PS-560123-001
 6. PACKING SPECIFICATION: PK-560125-001

ORDER NO	MATERIAL NO
560125-0200	5601250200

NEW RELEASE EC NO: KTR2014-0051 DRWN: YIBA EK 2014/07/03 CHKD: APPR: SRTAK 2014/08/26	QUALITY SYMBOLS	GENERAL TOLERANCES (UNLESS SPECIFIED) 4 PLACES ± --- ± --- 3 PLACES ± --- ± --- 2 PLACES ± --- ± --- 1 PLACE ± --- ± --- ANGULAR ± ---°	DIMENSION STYLE	SCALE	DESIGN UNITS	THIRD ANGLE PROJECTION	
			MM ONLY	5:1	METRIC		
				DRAWN BY	DATE	TITLE	
				YIBA EK	2014/07/03	NEW 2.0 PITCH W/B CONN REC.2WAY ISL DURA CLIK™ ISL SERIES	
			CHECKED BY	DATE	MOLEX INCORPORATED		
			APPROVED BY	DATE	DOCUMENT NO.		
			SRTAK	2014/08/26	SD-560125-001		
			MATERIAL NO.	SHEET NO.			
			SEE TABLE	1 OF 1			
			SIZE	THIS DRAWING CONTAINS INFORMATION THAT IS PROPRIETARY TO MOLEX INCORPORATED AND SHOULD NOT BE USED WITHOUT WRITTEN PERMISSION			
			A3				

9 8 7 6 5 4 3 2 1