



Chipsmall Limited consists of a professional team with an average of over 10 year of expertise in the distribution of electronic components. Based in Hongkong, we have already established firm and mutual-benefit business relationships with customers from,Europe,America and south Asia,supplying obsolete and hard-to-find components to meet their specific needs.

With the principle of “Quality Parts,Customers Priority,Honest Operation,and Considerate Service”,our business mainly focus on the distribution of electronic components. Line cards we deal with include Microchip,ALPS,ROHM,Xilinx,Pulse,ON,Everlight and Freescale. Main products comprise IC,Modules,Potentiometer,IC Socket,Relay,Connector.Our parts cover such applications as commercial,industrial, and automotives areas.

We are looking forward to setting up business relationship with you and hope to provide you with the best service and solution. Let us make a better world for our industry!



Contact us

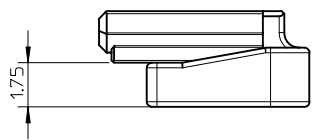
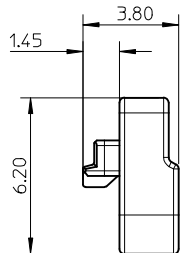
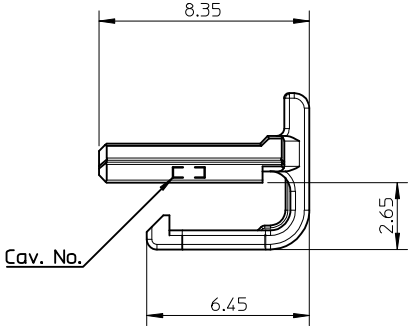
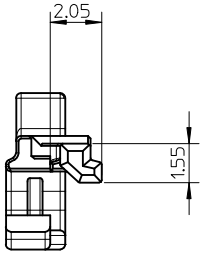
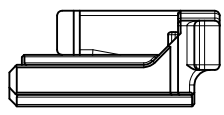
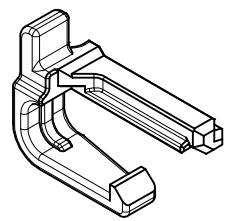
Tel: +86-755-8981 8866 Fax: +86-755-8427 6832

Email & Skype: info@chipsmall.com Web: www.chipsmall.com

Address: A1208, Overseas Decoration Building, #122 Zhenhua RD., Futian, Shenzhen, China



| GENERAL TOLERANCE | | | | | | | | | | USED ON |
|-------------------|--------|--------|--------|---------|---------|---------|---------|-------|--------|---------|
| 10 MAX | 30 MAX | 50 MAX | 70 MAX | 100 MAX | 120 MAX | 250 MAX | 250 OVR | ANGLE | ECCENT | |
| ±0.15 | ±0.20 | ±0.30 | ±0.40 | ±0.50 | ±0.75 | ±0.90 | ±1.4 | ±0.5° | 0.1 | |



- NOTES:
1. MATERIAL : POLYESTER (PBT), GLASS FILLED, UL94V-0
 2. APPLICABLE HOUSING : 560123-0300, 560123-0301
 3. GENERAL TOLERANCE : SEE TABLE
 4. ELV AND RoHS COMPLIANT
 5. PRODUCT SPECIFICATION : PS-560123-001
 6. PRODUCT SPECIFICATION : PK-560125-001

| ORDER NO | MATERIAL NO | COLOR |
|-------------|-------------|-------|
| 560125-0300 | 5601250300 | GRAY |
| 560125-0301 | 5601250301 | BLACK |

| ADDED OPTION EC NO: KTR2015-0103 DRWN: YIBA EK 2015/04/29 CHKD: APPR: JYCH01 2015/05/29 REV | QUALITY SYMBOLS | GENERAL TOLERANCES (UNLESS SPECIFIED) <table border="1"> <thead> <tr> <th></th> <th>mm</th> <th>INCH</th> </tr> </thead> <tbody> <tr> <td>4 PLACES</td> <td>± ---</td> <td>± ---</td> </tr> <tr> <td>3 PLACES</td> <td>± ---</td> <td>± ---</td> </tr> <tr> <td>2 PLACES</td> <td>± ---</td> <td>± ---</td> </tr> <tr> <td>1 PLACE</td> <td>± ---</td> <td>± ---</td> </tr> </tbody> </table> ANGULAR ± ---° | | mm | INCH | 4 PLACES | ± --- | ± --- | 3 PLACES | ± --- | ± --- | 2 PLACES | ± --- | ± --- | 1 PLACE | ± --- | ± --- | DIMENSION STYLE | SCALE | DESIGN UNITS | THIRD ANGLE PROJECTION |
|---|-----------------|---|---|---|-------------------------------------|--------------------------|-------|-------|----------|-------|-------|----------|-------|-------|---------|-------|-------|-----------------|-------|--------------|------------------------|
| | | | mm | INCH | | | | | | | | | | | | | | | | | |
| | 4 PLACES | | ± --- | ± --- | | | | | | | | | | | | | | | | | |
| | 3 PLACES | | ± --- | ± --- | | | | | | | | | | | | | | | | | |
| 2 PLACES | ± --- | ± --- | | | | | | | | | | | | | | | | | | | |
| 1 PLACE | ± --- | ± --- | | | | | | | | | | | | | | | | | | | |
| | | MM ONLY | 5:1 | METRIC | <input checked="" type="checkbox"/> | <input type="checkbox"/> | | | | | | | | | | | | | | | |
| | | DRAWN BY: YIBA EK CHECKED BY: APPROVED BY: SRTAK | DATE: 2014/07/08 DATE: DATE: 2014/08/26 | TITLE: NEW 2.0 PITCH W/B CONN. REC. 3WAY ISL DURACLIK™ ISL SERIES | | | | | | | | | | | | | | | | | |
| | | MATERIAL NO. | SEE TABLE | DOCUMENT NO. | MOLEX INCORPORATED | | | | | | | | | | | | | | | | |
| | | DRAFT WHERE APPLICABLE MUST REMAIN WITHIN DIMENSIONS | | SIZE: A3 | SHEET NO. 1 OF 1 | | | | | | | | | | | | | | | | |