



Chipsmall Limited consists of a professional team with an average of over 10 year of expertise in the distribution of electronic components. Based in Hongkong, we have already established firm and mutual-benefit business relationships with customers from,Europe,America and south Asia,supplying obsolete and hard-to-find components to meet their specific needs.

With the principle of "Quality Parts,Customers Priority,Honest Operation,and Considerate Service",our business mainly focus on the distribution of electronic components. Line cards we deal with include Microchip,ALPS,ROHM,Xilinx,Pulse,ON,Everlight and Freescale. Main products comprise IC,Modules,Potentiometer,IC Socket,Relay,Connector.Our parts cover such applications as commercial,industrial, and automotives areas.

We are looking forward to setting up business relationship with you and hope to provide you with the best service and solution. Let us make a better world for our industry!



Contact us

Tel: +86-755-8981 8866 Fax: +86-755-8427 6832

Email & Skype: info@chipsmall.com Web: www.chipsmall.com

Address: A1208, Overseas Decoration Building, #122 Zhenhua RD., Futian, Shenzhen, China



DIN Rail-mounted Service Outlets

DIN Rail-mounted service outlets for 120 and 250 V AC applications

INTERACE

Data Sheet
1476_en_D

© PHOENIX CONTACT 2010-07-15



1 Description

EM-DUO... outlets are fully enclosed, touchproof service outlets for mounting on NS 35 DIN rails inside today's control cabinets. Available in a wide array of variations, the EM-DUO... is able to meet the needs of most UL and non-UL panel shops.

The EM-DUO... is available with 15 and 20 A ratings with or without ground fault interrupt, surge protection and auxiliary outputs. Switch-control variants are also available.

For high-voltage applications, a 250 V AC, 15 A version is available.

All EM-DUO... outlets are UL listed and can be used in a UL panel or system. This allows the user to quickly obtain UL recognized products versus purchasing non-recognized components and waiting for UL approval.



Make sure you always use the latest documentation.
It can be downloaded at www.phoenixcontact.net/catalog.



This data sheet is valid for all products listed on the following page:

2 Ordering Data

Products

Description	Type	Order No.	Pcs./Pkt.
Dual outlet, 120 V AC, 15 A	EM-DUO 120/15	5600461	1
Dual outlet, 120 V AC, 15 A, ground fault interrupt	EM-DUO/120/15/GFI	5600462	1
Dual outlet, 120 V AC, 15 A, ground fault interrupt, auxiliary outputs	EM-DUO 120/15/GFI/AUX	5600639	1
Dual outlet, 120 V AC, 15 A, surge protected outlets	EM-DUO 120/15/SPD	5601283	1
Dual outlet, 120 V AC, 15 A, surge protected outlets, auxiliary outputs	EM-DUO 120/15/SPD/AUX	5604063	1
Dual outlet, 120 V AC, 20 A	EM-DUO 120/20	5600525	1
Dual outlet, 120 V AC, 20 A, ground fault interrupt	EM-DUO 120/20/GFI	5602519	1
Dual outlet, 120 V AC, 20 A, ground fault interrupt, auxiliary outputs	EM-DUO 120/20/GFI/AUX	5603049	1
Dual outlet, 120 V AC, 20 A, ground fault interrupt, auxiliary outputs, no sockets	EM-DUO 120/20/GFI/AUX/NO	5602192	1
Dual outlet, 120 V AC, 15 A, switch-controlled outlet	EM-DUO 120/15-SWO	5602292	1
Dual outlet, 120 V AC, 20 A, switch-controlled outlet	EM-DUO 120/20-SWO	5603890	1
Dual outlet, 120 V AC, 15 A, switch-controlled outlet, auxiliary outputs	EM-DUO 120/15/SWM	5604434	1
Dual outlet, 120 V AC, 20 A, switch-controlled outlet, auxiliary outputs	EM-DUO 120/20/SWM	5604436	1
Dual outlet, 120 V AC, 15 A, switch-controlled auxiliary outputs	EM-DUO 120/15/SWA	5604433	1
Dual outlet, 120 V AC, 20 A, switch-controlled auxiliary outputs	EM-DUO 120/20/SWA	5604435	1
Dual outlet, 120 V AC, 15A, isolated ground, orange	EM-DUO 120/20/IG	5601677	1
Dual outlet, 250 V AC, 15 A	EM-DUO 250/15	5602630	1

3 Technical Data

General Data

Color	Ivory
Housing material	PVC 94 V-0
Operating temperature	-40... 70°C
Wire size	
Outlet, maximum	10 AWG
Auxiliary	10 AWG

Electrical Data

Voltage, maximum	
EM-DUO 120/...	120 V AC
EM-DUO 250/...	250 V AC
Current	
EM-DUO 120/15...	15 A
EM-DUO 120/20...	20 A
EM-DUO 250/15...	15 A
Ground fault data (EM-DUO-120/.../GFI/... models only)	
GFI response time	25 ms @ 4-6 mA
GFI compliance	UL 943

Surge Protection Data (EM-DUO...SPD... only)

MCOV	
Rated voltage	120 V AC +10%/-15%
Nominal discharge current rating	
SCCR	
Response time	>5 ns
Protection mode	Normal and common mode
Maximum surge current	13 kA (8 x 20 μs)
Protection level	@ 500 A, 340 V @ 3 kA, 490 V
Conformance	UL 1449 3rd edition

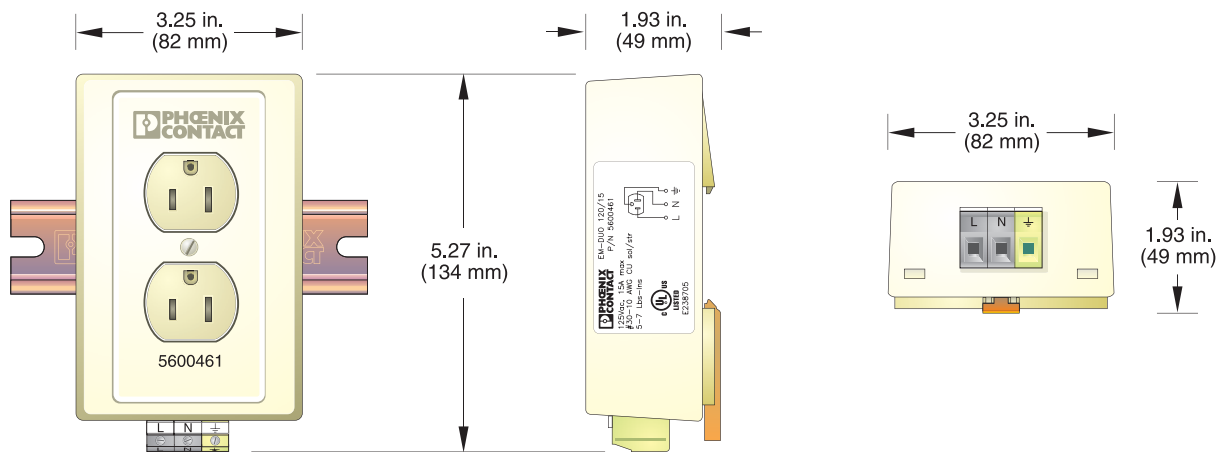


Figure 1 EM-DUO-120/... dimensions

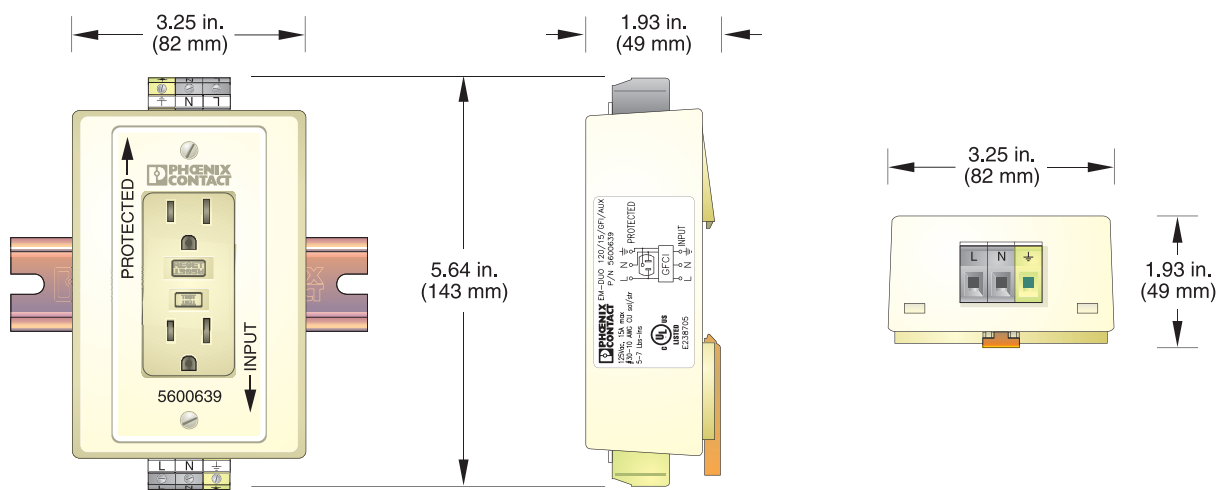


Figure 2 EM-DUO-120/.../AUX... dimensions

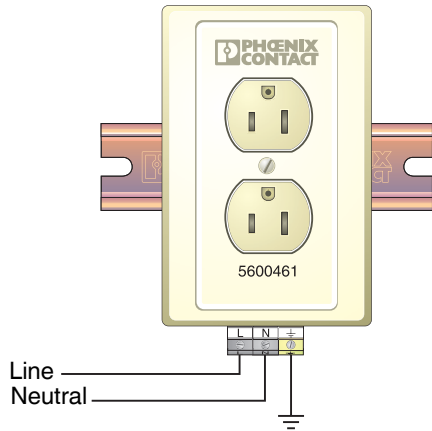


Figure 3 Wire connections

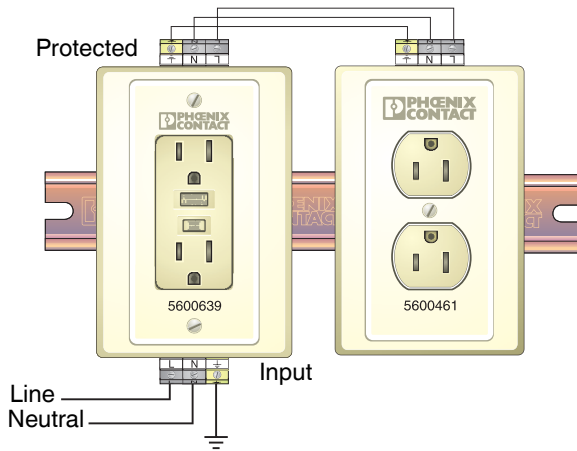


Figure 4 EM-DUO-120/15/GFI/AUX Wire connections