



Chipsmall Limited consists of a professional team with an average of over 10 year of expertise in the distribution of electronic components. Based in Hongkong, we have already established firm and mutual-benefit business relationships with customers from,Europe,America and south Asia,supplying obsolete and hard-to-find components to meet their specific needs.

With the principle of “Quality Parts,Customers Priority,Honest Operation,and Considerate Service”,our business mainly focus on the distribution of electronic components. Line cards we deal with include Microchip,ALPS,ROHM,Xilinx,Pulse,ON,Everlight and Freescale. Main products comprise IC,Modules,Potentiometer,IC Socket,Relay,Connector.Our parts cover such applications as commercial,industrial, and automotives areas.

We are looking forward to setting up business relationship with you and hope to provide you with the best service and solution. Let us make a better world for our industry!



## Contact us

Tel: +86-755-8981 8866 Fax: +86-755-8427 6832

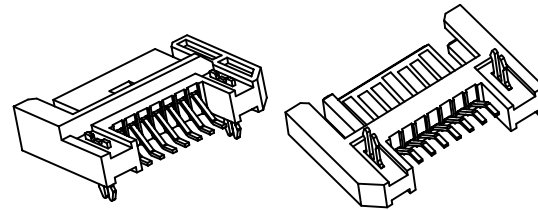
Email & Skype: info@chipsmall.com Web: www.chipsmall.com

Address: A1208, Overseas Decoration Building, #122 Zhenhua RD., Futian, Shenzhen, China

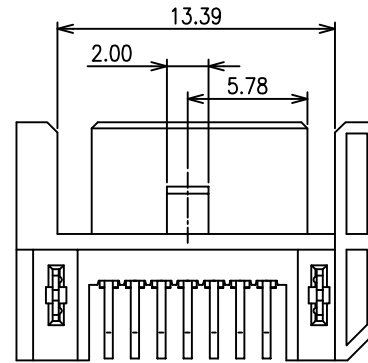
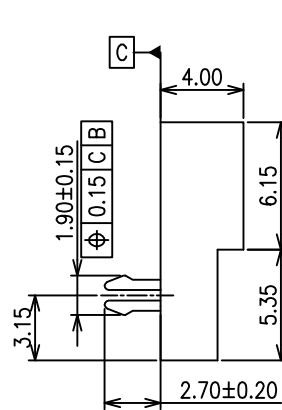
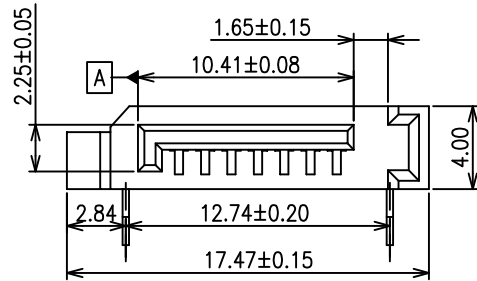


3M™ Serial Advanced Technology Attachment (SATA) Connector  
Signal Plug, Boardmount, Surface Mount Right Angle and PTH Vertical

REVISION RECORD		
REV.	ECR/ECN/ECO NUMBER	DATE
A	AT2059, NEW RELEASE	23/04/07
B	TECH SHEET, ECO-14693	12/07/07
C	EDIT TECH SHEET, ECO-17296	13/02/08
D	EDIT TECH SHEET, ECO-33864	01/08/11
E	SALES DRAWING, ECO-41953	01/02/13
F	EDIT PIN # ON PCB LAYOUT ECO-58311	18/11/14

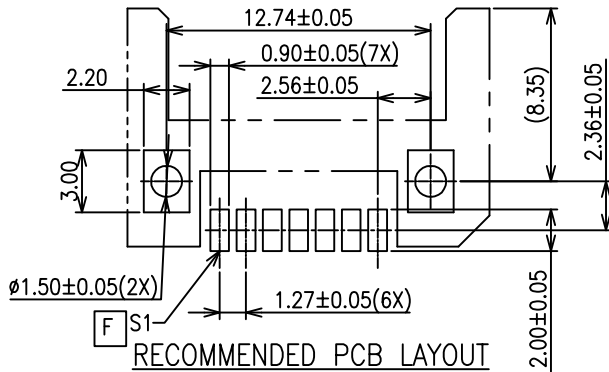
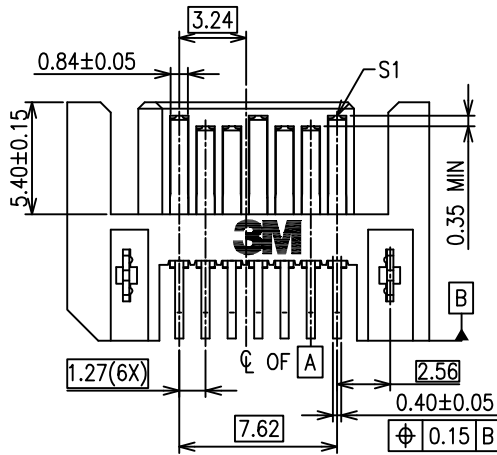


RIGHT ANGLE SURFACE MOUNT



NOTES:

- RoHS COMPLIANT. SEE REGULATORY INFORMATION APPENDIX IN "RoHS COMPLIANCE" SECTION AT WWW.3M.COM/INTERCONNECT (E1 & C1 APPLY)
- MEETS SATA SPECIFICATION
- PHYSICAL:  
HOUSING: HIGH TEMPERATURE THERMOPLASTIC, BLACK, UL94V-0  
CONTACT: COPPER ALLOY  
Plating: SH: GOLD FLASH AT MATING AREA  
50u" MIN. Ni UNDERPLATE  
100u" MIN. Sn AT TERMINATION AREA
- ELECTRICAL:  
CURRENT RATING: POWER PIN: 1.5A  
INSULATION RESISTANCE: 10<sup>3</sup> MΩ min.  
WITHSTANDING VOLTAGE: 500V<sub>ac</sub> AT SEA LEVEL
- ENVIRONMENTAL:  
OPERATING TEMPERATURE RANGE: -40°C TO +85°C
- UL FILE NO. E68080
- ORDERING INFORMATION:  
5607-4200-SH (RIGHT ANGLE SURFACE MOUNT)  
5607-5102-SH (VERTICAL THROUGH HOLE)



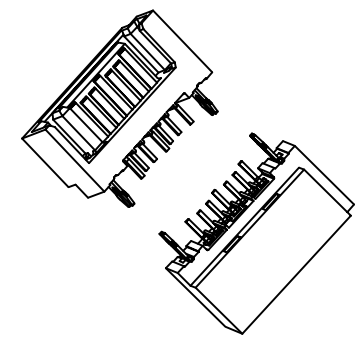
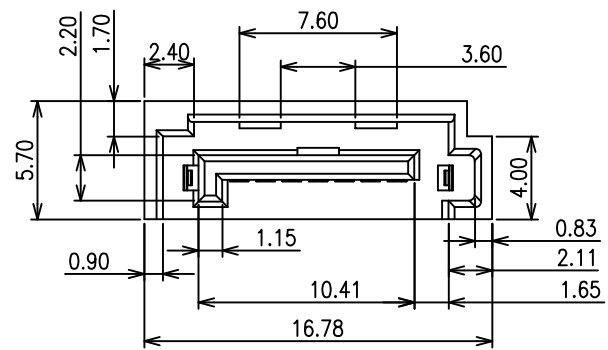
RECOMMENDED PCB LAYOUT

Visit <http://www.3Mconnectors.com>

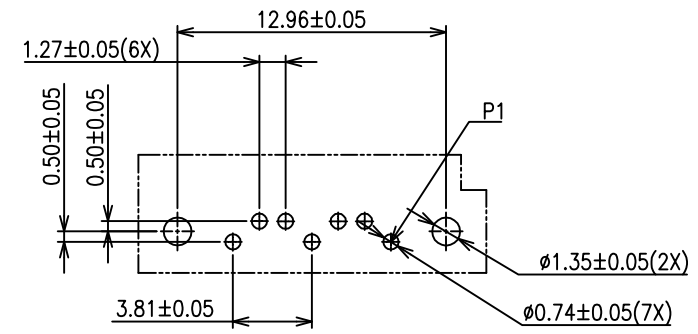
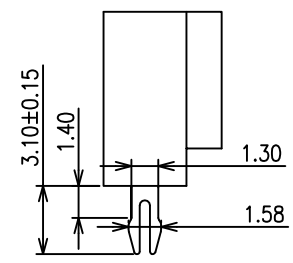
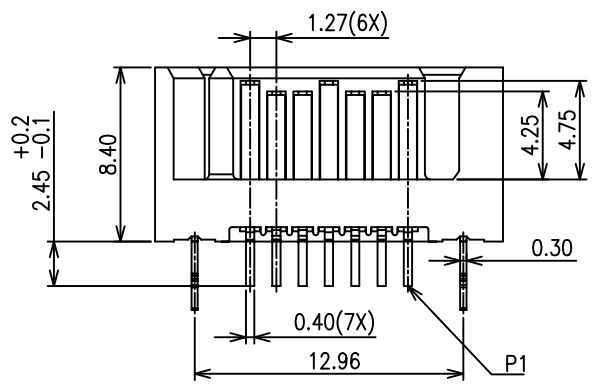
UNIT: MM	DFTG RAO VITAPALLI	DATE 22/08/14		DIVISION ESD	STATUS RELEASED
GEN. TOLERANCES	CHKD QIAO YUN LONG	DATE 22/08/14		MODEL	
LINEAR .0 ±0.38 .00 ±0.25 .000 ±0.05	APPVL SAUJIT BANDHU	DATE 22/08/14	TITLE	Serial Advanced Technology Attachment (SATA) Connector Signal Plug, Boardmount, Surface Mount Right Angle and PTH Vertical	
ANGLE = ±3°	THIS DOCUMENT CONTAINS INFORMATION WHICH IS PROPRIETARY TO 3M COMPANY. NO REPRODUCTION OR PUBLICATION OF THIS DOCUMENT, IN WHOLE OR IN PART, SHALL BE MADE WITHOUT AUTHORIZATION FROM 3M. ©3M 2014. ALL RIGHTS RESERVED.		SIZE A3	DRAWING NO. 78-5100-2108-8	REV F
PROJECTION	INTERPRET PER ASME Y14.5M-1994		SCALE : 4:1	DET LIST	YES NO SHT 1 of 2
	CRITICAL DIMENSION: ▲				

3M™ Serial Advanced Technology Attachment (SATA) Connector  
Signal Plug, Boardmount, Surface Mount Right Angle and PTH Vertical

REVISION RECORD		
REV.	ECR/ECN/ECO NUMBER	DATE
REFER TO SHT 1 of 2		



VERTICAL THROUGH-HOLE



RECOMMENDED PCB LAYOUT

Visit <http://www.3Mconnectors.com>

UNIT: MM	DFTG RAO VITAPALLI	DATE 22/08/14		DIVISION ESD	STATUS RELEASED	
GEN. TOLERANCES	CHKD YUN LONG QIAO	DATE 22/08/14		MODEL		
LINEAR .0 =±0.38 .00 =±0.25 .000=±0.05	APPVL SAUJIT BANDHU	DATE 22/08/14	TITLE Serial Advanced Technology Attachment (SATA) Connector Signal Plug, Boardmount, Surface Mount Right Angle and PTH Vertical	SIZE A3	DRAWING NO. 78-5100-2108-8	REV F
ANGLE= ±3°	THIS DOCUMENT CONTAINS INFORMATION WHICH IS PROPRIETARY TO 3M COMPANY. NO REPRODUCTION OR PUBLICATION OF THIS DOCUMENT, IN WHOLE OR IN PART, SHALL BE MADE WITHOUT AUTHORIZATION FROM 3M. ©3M 2014. ALL RIGHTS RESERVED.		SCALE : NTS	DET LIST	<input type="checkbox"/> YES <input type="checkbox"/> NO	SHT 2 of 2
PROJECTION	INTERPRET PER ASME Y14.5M-1994	CRITICAL DIMENSION: ▲				