



Chipsmall Limited consists of a professional team with an average of over 10 year of expertise in the distribution of electronic components. Based in Hongkong, we have already established firm and mutual-benefit business relationships with customers from,Europe,America and south Asia,supplying obsolete and hard-to-find components to meet their specific needs.

With the principle of “Quality Parts,Customers Priority,Honest Operation,and Considerate Service”,our business mainly focus on the distribution of electronic components. Line cards we deal with include Microchip,ALPS,ROHM,Xilinx,Pulse,ON,Everlight and Freescale. Main products comprise IC,Modules,Potentiometer,IC Socket,Relay,Connector.Our parts cover such applications as commercial,industrial, and automotives areas.

We are looking forward to setting up business relationship with you and hope to provide you with the best service and solution. Let us make a better world for our industry!



Contact us

Tel: +86-755-8981 8866 Fax: +86-755-8427 6832

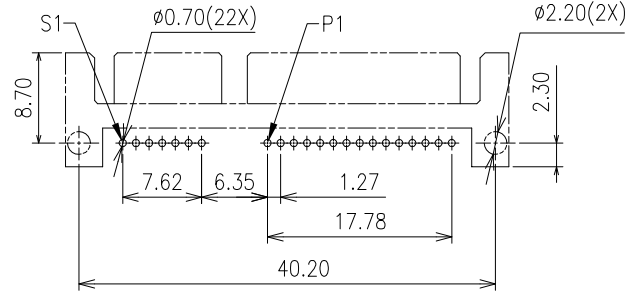
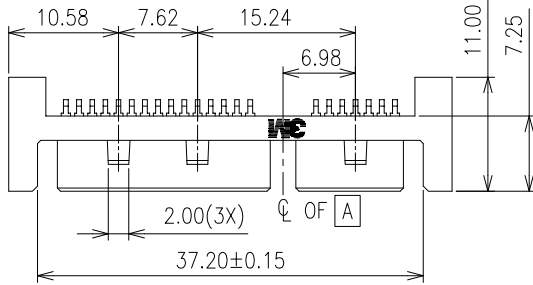
Email & Skype: info@chipsmall.com Web: www.chipsmall.com

Address: A1208, Overseas Decoration Building, #122 Zhenhua RD., Futian, Shenzhen, China

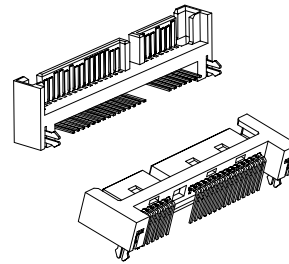
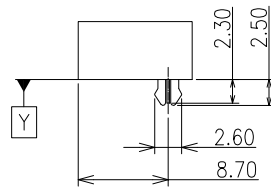
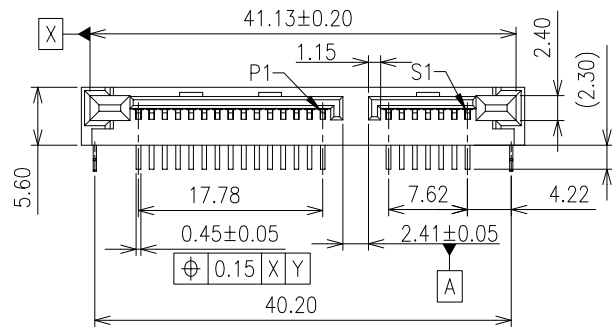


3M™ Serial Advanced Technology Attachment (SATA) Combo Connector
Device Plug, Straddlemount and Right Angle, Through-Hole, 5622 Series

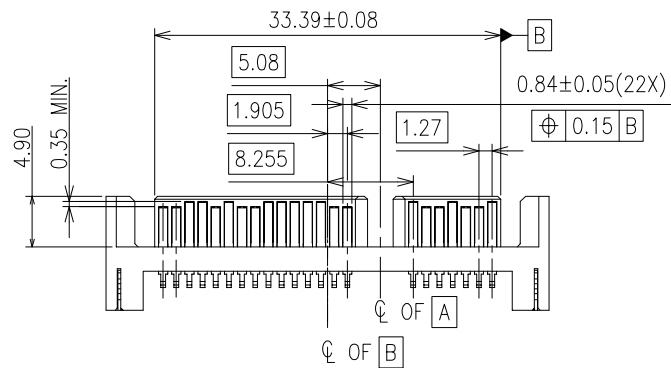
REVISION RECORD		
REV.	ECR/ECN/ECO NUMBER	DATE
A	ECO-0037415	23/07/12



RECOMMENDED PCB LAYOUT



RIGHT ANGLE THROUGH HOLE



NOTES:

- RoHS COMPLIANT. SEE REGULATORY INFORMATION APPENDIX IN "RoHS COMPLIANCE" SECTION AT WWW.3M.COM/INTERCONNECT (E1 & C1 APPLY)
- MEETS SATA SPECIFICATION
- PHYSICAL:
HOUSING: HIGH TEMPERATURE THERMOPLASTIC, BLACK, UL94V-0
Contact: Copper Alloy
Plating: ML: 30u" MIN. Au AT MATING AREA
50u" MIN. Ni UNDERPLATE
100u" MIN. Sn AT TERMINATION AREA
- ELECTRICAL:
CURRENT RATING: 1.5A
INSULATION RESISTANCE: 10³ MΩ(MINIMUM)
WITHSTANDING VOLTAGE: 500V_{ac} AT SEA LEVEL
- ENVIRONMENTAL:
OPERATING TEMPERATURE RANGE: -40°C TO +85°C
- UL FILE NO. E68080
- ORDERING INFORMATION:
5622-4100-ML (RIGHT-ANGLE THROUGH HOLE)
5622-6309-ML (STRADDLEMOUNT)

Visit <http://www.3Mconnector.com>

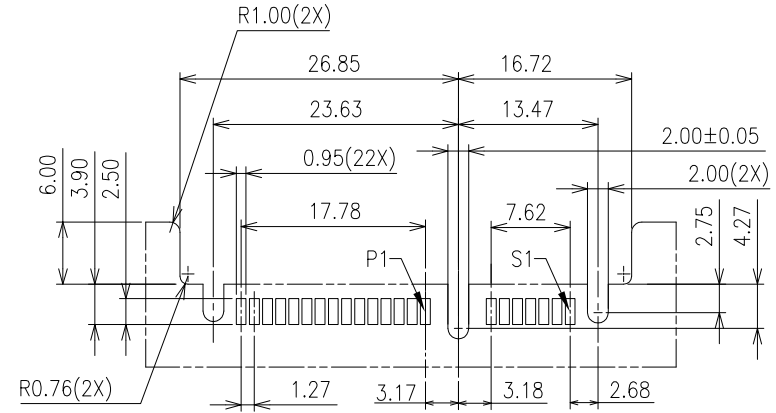
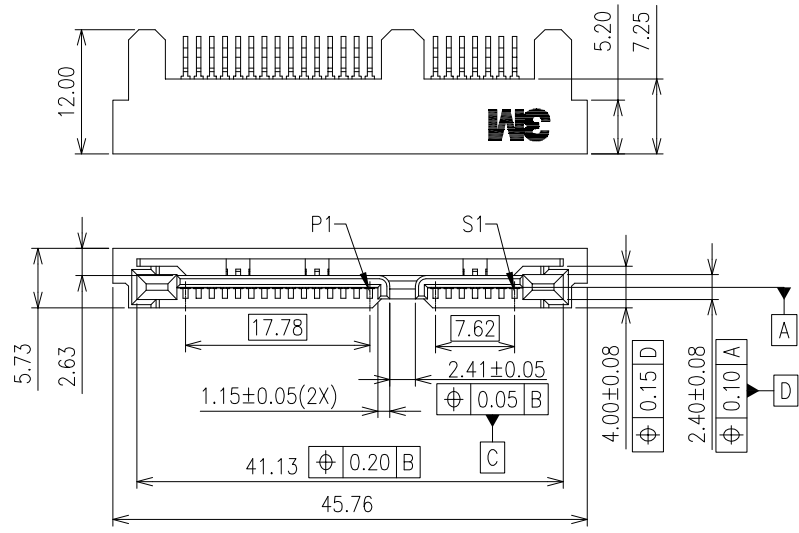
UNIT: MM	DFTG	OH KIM CHYE	DATE 23/07/12
GEN. TOLERANCES	CHKD	QIAO YUN LONG	DATE 23/07/12
LINEAR .0 = ± 0.25 ± 0.38 .00 = ± 0.15 ± 0.25 .000 = ± 0.05	APPVL	ROY LIM	DATE 23/07/12
ANGLE ±° ±3'	THIS DOCUMENT CONTAINS INFORMATION WHICH IS PROPRIETARY TO 3M COMPANY. NO REPRODUCTION OR PUBLICATION OF THIS DOCUMENT, IN WHOLE OR IN PART, SHALL BE MADE WITHOUT AUTHORIZATION FROM 3M. ©3M 2012. ALL RIGHTS RESERVED.		
PROJECTION	INTERPRET PER ASME Y14.5M-1994		



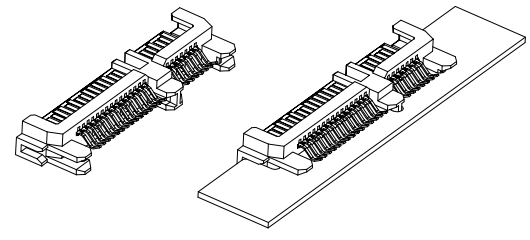
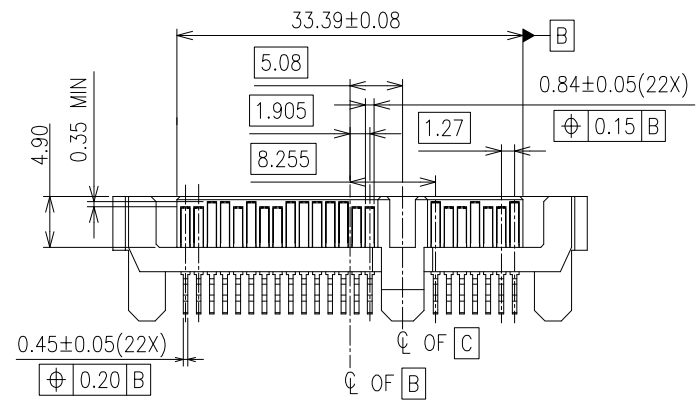
DIVISION		ESD	STATUS RELEASED
MODEL			
TITLE Serial Advanced Technology Attachment (SATA) Combo Connector Device Plug, Straddlemount and Right Angle, Through-Hole			
SIZE A3	DRAWING NO. 78-5100-2109-6		REV A
SCALE : 2:1		DET LIST	<input type="checkbox"/> YES <input type="checkbox"/> NO
		SHT	1 of 2

3M™ Serial Advanced Technology Attachment (SATA) Combo Connector
Device Plug, Straddlemount and Right Angle, Through-Hole, 5622 Series

REVISION RECORD		
REV.	ECR/ECN/ECO NUMBER	DATE
REFER TO SHT 1 of 2		



RECOMMENDED PCB LAYOUT
PCB THICKNESS 1.04±0.13/-0.08



STRADDELMOUNT

Visit <http://www.3Mconnector.com>

UNIT: MM	DFTG	OH KIM CHYE	DATE 23/07/12		DIVISION	ESD	STATUS
GEN. TOLERANCES	CHKD	QIAO YUN LONG	DATE 23/07/12		MODEL		RELEASED
LINEAR .0 = ± 0.25 .00 = ± 0.15 .000 = ± 0.05	APPVL	ROY LIM	DATE 23/07/12	TITLE Serial Advanced Technology Attachment (SATA) Combo Connector Device Plug, Straddlemount and Right Angle, Through-Hole			
ANGLE ±± ±3°	THIS DOCUMENT CONTAINS INFORMATION WHICH IS PROPRIETARY TO 3M COMPANY. NO REPRODUCTION OR PUBLICATION OF THIS DOCUMENT, IN WHOLE OR IN PART, SHALL BE MADE WITHOUT AUTHORIZATION FROM 3M. ©3M 2012. ALL RIGHTS RESERVED.			SIZE	DRAWING NO.	78-5100-2109-6	REV A
PROJECTION	INTERPRET PER ASME Y14.5M-1994			SCALE : 2:1	DET LIST	<input type="checkbox"/> YES <input type="checkbox"/> NO	SHT 2 of 2