



Chipsmall Limited consists of a professional team with an average of over 10 year of expertise in the distribution of electronic components. Based in Hongkong, we have already established firm and mutual-benefit business relationships with customers from,Europe,America and south Asia,supplying obsolete and hard-to-find components to meet their specific needs.

With the principle of “Quality Parts,Customers Priority,Honest Operation,and Considerate Service”,our business mainly focus on the distribution of electronic components. Line cards we deal with include Microchip,ALPS,ROHM,Xilinx,Pulse,ON,Everlight and Freescale. Main products comprise IC,Modules,Potentiometer,IC Socket,Relay,Connector.Our parts cover such applications as commercial,industrial, and automotives areas.

We are looking forward to setting up business relationship with you and hope to provide you with the best service and solution. Let us make a better world for our industry!



Contact us

Tel: +86-755-8981 8866 Fax: +86-755-8427 6832

Email & Skype: info@chipsmall.com Web: www.chipsmall.com

Address: A1208, Overseas Decoration Building, #122 Zhenhua RD., Futian, Shenzhen, China



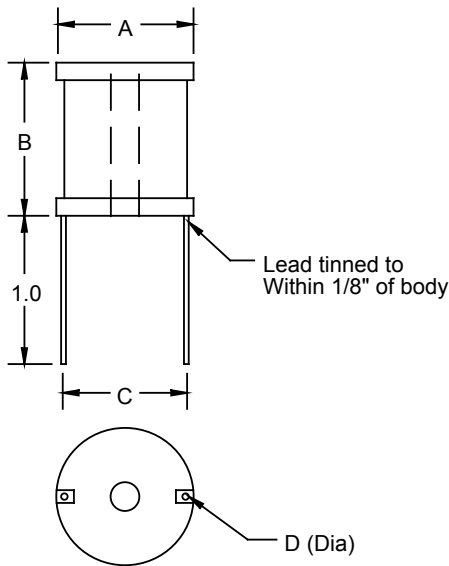
High Current RF Chokes

Special Features

- Very high current capacity
- Low DCR
- Ferrite bobbin core
- VW-1 rated shrink tubing to cover winding
- Fixed lead spacing
- Operating temperature -55 to +105°C

Notes

- * Current to cause 5% maximum inductance drop or 35°C maximum temperature rise



Dimensions: Inches

5600 Series							
Part Number	L (μH) ±10% @ 1KHz	DCR Ω Max.	I, DC* (A)	Dim. A Max.	Dim. B Max.	Dim. C ±.06	Dim. D ±.005
5601	5	0.007	15	0.83	0.91	0.59	0.065
5602	10	0.008	14	0.83	0.91	0.60	0.065
5603	25	0.023	8	0.83	0.91	0.57	0.042
5604	50	0.034	6.6	0.83	0.91	0.65	0.042
5605	100	0.072	4.5	0.83	0.91	0.69	0.042
5606	250	0.173	2.9	0.83	0.91	0.65	0.042
5607	500	0.378	2	0.83	0.91	0.68	0.042
5608	1000	0.801	1.3	0.83	0.91	0.66	0.042
5609	2500	2.040	.85	0.83	0.91	0.71	0.042
5610	5	0.005	20	1.22	1.11	0.94	0.082
5611	10	0.006	17	1.22	1.11	0.95	0.082
5612	25	0.009	14	1.22	1.11	0.93	0.082
5613	50	0.017	10	1.22	1.11	0.99	0.065
5614	100	0.034	7	1.22	1.11	0.85	0.053
5615	250	0.083	4.6	1.22	1.11	0.97	0.053
5616	500	0.129	3.7	1.22	1.11	1.12	0.053
5617	1000	0.279	2.5	1.22	1.11	1.05	0.053
5618	2500	0.690	1.6	1.22	1.11	1.05	0.053
5619	50	0.012	14	1.50	1.11	1.23	0.082
5620	100	0.027	9.8	1.50	1.11	1.12	0.065
5621	250	0.059	6.4	1.50	1.11	1.10	0.053
5622	500	0.090	5	1.50	1.11	1.14	0.053
5623	1000	0.195	3.5	1.50	1.11	1.36	0.053
5624	2500	0.499	2.2	1.50	1.11	1.32	0.053
5625	5000	1.080	1.5	1.50	1.11	1.27	0.053
5626	100	0.018	14	1.50	1.50	1.18	0.082
5627	250	0.040	9	1.50	1.50	1.12	0.065
5628	500	0.085	6.5	1.50	1.50	1.06	0.053
5629	1000	0.183	4.4	1.50	1.50	1.23	0.053
5630	2500	0.464	2.8	1.50	1.50	1.21	0.053
5631	5000	0.714	2.2	1.50	1.50	1.63	0.053
5632	10,000	1.560	1.5	1.62	1.50	1.25	0.053

Also available as RoHS compliant.