



Chipsmall Limited consists of a professional team with an average of over 10 year of expertise in the distribution of electronic components. Based in Hongkong, we have already established firm and mutual-benefit business relationships with customers from,Europe,America and south Asia,supplying obsolete and hard-to-find components to meet their specific needs.

With the principle of "Quality Parts,Customers Priority,Honest Operation,and Considerate Service",our business mainly focus on the distribution of electronic components. Line cards we deal with include Microchip,ALPS,ROHM,Xilinx,Pulse,ON,Everlight and Freescale. Main products comprise IC,Modules,Potentiometer,IC Socket,Relay,Connector.Our parts cover such applications as commercial,industrial, and automotives areas.

We are looking forward to setting up business relationship with you and hope to provide you with the best service and solution. Let us make a better world for our industry!



Contact us

Tel: +86-755-8981 8866 Fax: +86-755-8427 6832

Email & Skype: info@chipsmall.com Web: www.chipsmall.com

Address: A1208, Overseas Decoration Building, #122 Zhenhua RD., Futian, Shenzhen, China



562/564 Series Circuit Board Mount Holders for TE5/TR5 Type Fuses



562 Series Holder

564 Series Holder

Product Characteristics

	562 Series	564 Series
Compatible Fuses	TR5/TE5	
Materials	Holder: Black Thermoplastic, UL94 V-0 PET Terminals: Copper alloy; solderable tinned	
Electrical Data (23°C)	Rated Voltage: 250V Max. Current/Power: 6.3A/1.6W	
Mounting	PC Board, 5.08mm pin spacing	PC Board, 5.08mm pad spacing
Minimum Cross Section	Conducting path - 0.1mm ²	Conducting path - 0.1mm ²
Unit Weight	0.12g	0.44g

Note: Ensure proper fuseholder re-rating.

Agency Approvals

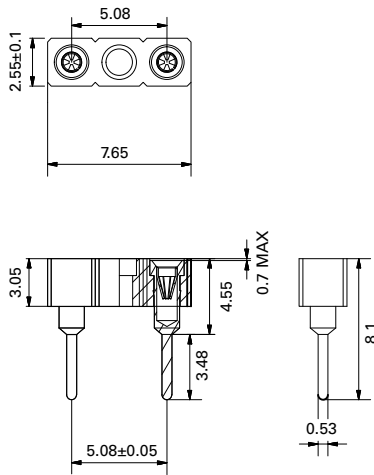
Agency	Agency File Number	
	562 Series	564 Series
	E70164	E70164

Ordering Information

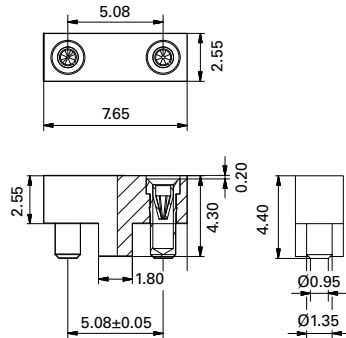
Ordering Number	Circuit Board Mounting	Packaging
562 0000 1009	Thru-Hole	1000 (Bulk pack)
564 0000 1009	Surface Mount	1500 (Tape /Reel)

Dimensions units in mm

562 Series Holder



564 Series Holder



Additional Information



Datasheet 562 Series



Resources 562 Series



Samples 562 Series



Datasheet 564 Series



Resources 564 Series



Samples 564 Series