



Chipsmall Limited consists of a professional team with an average of over 10 year of expertise in the distribution of electronic components. Based in Hongkong, we have already established firm and mutual-benefit business relationships with customers from,Europe,America and south Asia,supplying obsolete and hard-to-find components to meet their specific needs.

With the principle of "Quality Parts,Customers Priority,Honest Operation,and Considerate Service",our business mainly focus on the distribution of electronic components. Line cards we deal with include Microchip,ALPS,ROHM,Xilinx,Pulse,ON,Everlight and Freescale. Main products comprise IC,Modules,Potentiometer,IC Socket,Relay,Connector.Our parts cover such applications as commercial,industrial, and automotives areas.

We are looking forward to setting up business relationship with you and hope to provide you with the best service and solution. Let us make a better world for our industry!



Contact us

Tel: +86-755-8981 8866 Fax: +86-755-8427 6832

Email & Skype: info@chipsmall.com Web: www.chipsmall.com

Address: A1208, Overseas Decoration Building, #122 Zhenhua RD., Futian, Shenzhen, China



PART NUMBER AND LEGEND	LED COLOR			REVISIONS			
	POSITION 1	POSITION 2	POSITION 3	REV	ECN No	DRN	DATE
564-0700-100F	RED / GREEN	** BLANK **	** BLANK **	A	---	TWC	5-19-06
564-0700-101F	RED / GREEN	** BLANK **	RED / GREEN	A	---	TWC	5-19-06
564-0700-110F	RED / GREEN	RED / GREEN	** BLANK **	A	---	TWC	5-19-06
564-0700-111F	RED / GREEN	RED / GREEN	RED / GREEN	A	---	TWC	5-19-06
564-0700-141F	RED / GREEN	YELLOW / GREEN	RED / GREEN	A	---	TWC	5-19-06
564-0700-144F	RED / GREEN	YELLOW / GREEN	YELLOW / GREEN	A	---	TWC	5-19-06
564-0700-414F	YELLOW / GREEN	RED / GREEN	YELLOW / GREEN	A	---	TWC	5-19-06
564-0700-440F	YELLOW / GREEN	YELLOW / GREEN	** BLANK **	A	---	TWC	5-19-06
564-0700-441F	YELLOW / GREEN	YELLOW / GREEN	RED / GREEN	A	---	TWC	5-19-06
564-0700-444F	YELLOW / GREEN	YELLOW / GREEN	YELLOW / GREEN	A	---	TWC	5-19-06

REV	ECN NO	REVISIONS	DRN	CKD	APP	DATE
A	---	NEW RELEASE	TWC			

NOTES:

- LEADS TO FIT INTO HOLES SPACED AS PER HOLE PATTERN
- LEADS TO BE FREE OF DEFORMATION AFTER BENDING AND CUTTING
- LED LEAD DIMENSIONS SHOWN ARE MEASURED AT HOUSING EXIT.
- WHEN A ZERO APPEARS IN THE LAST 3 DIGITS OF THE PART NUMBER THIS MEANS NO LAMP REQUIRED IN THAT POSITION
- PIN NUMBERS FOR REFERENCE ONLY, DESIGNATION NON-EXISTENT ON PARTS
- DIALIGHT PART NUMBER: 564-0700-XXXX
- THIS ASSEMBLY CONTAINS ELECTROSTATIC DISCHARGE SENSITIVE DEVICES (ESDS). MAINTAIN ALL PRECAUTIONARY MEASURES DURING ASSEMBLY, HANDLING AND STORAGE IN ACCORDANCE WITH IPC-A-610.

OPERATING CHARACTERISTICS AT 25°C AMBIENT FOR YELLOW / GREEN

LED CHARACTERISTICS	COLOR	MIN.	TYP.	MAX.	UNITS	TEST CONDITIONS
LUMINOUS INTENSITY	GREEN YELLOW	2.5 2.5	6.3 4.3	15 15	mc d	$I_f = 10 \text{ mA}$
FORWARD VOLTAGE	GREEN YELLOW		2.1	2.8	V	$I_f = 20 \text{ mA}$
PEAK WAVELENGTH (λ_p)	GREEN YELLOW		565 585		nm	
DOMINANT WAVELENGTH (λ_d)	GREEN YELLOW (Y3) YELLOW (Y2)	563 585 583	569	572 589 587	nm	MEASURED ON EXELTRON 2001
VIEWING ANGLE (2 θ 1/2)	GREEN YELLOW		80		DEGREES	

ABSOLUTE MAXIMUM RATINGS AT 25°C AMBIENT FOR YELLOW / GREEN

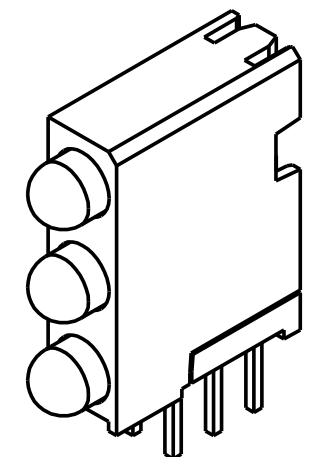
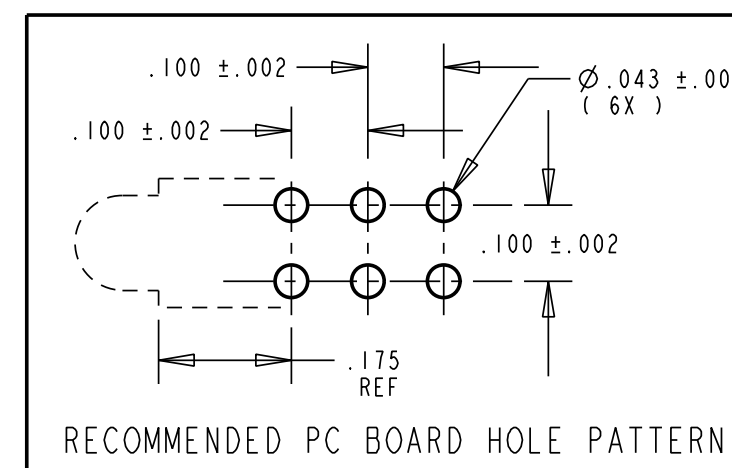
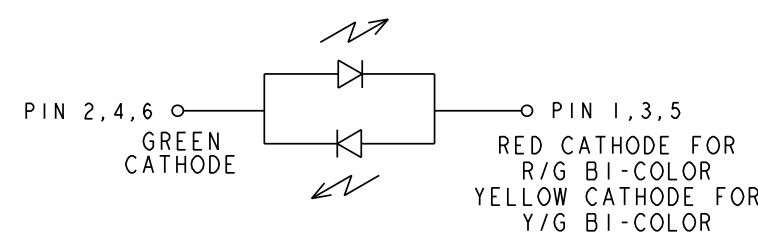
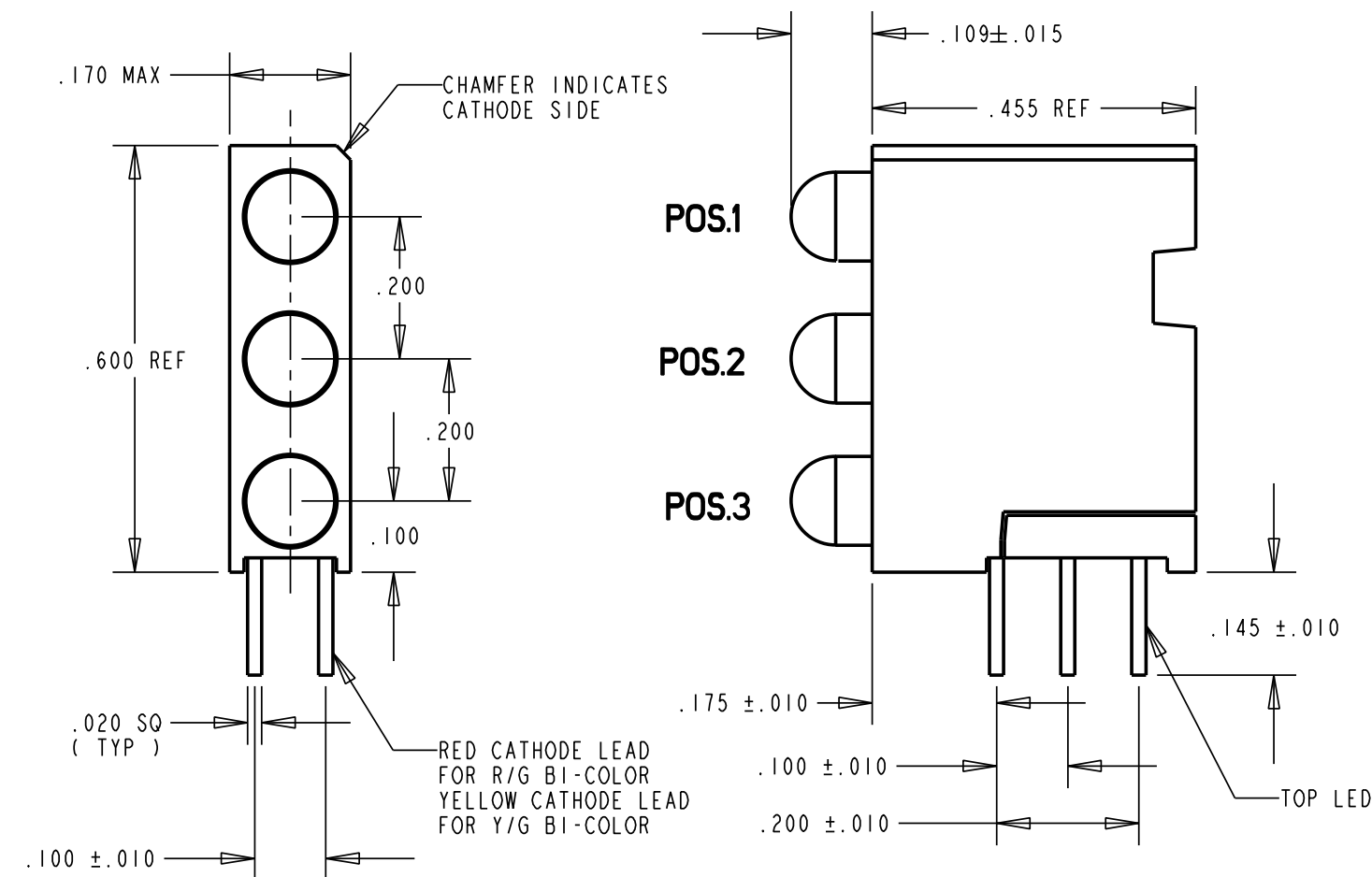
	GREEN	YELLOW	UNITS
POWER DISSIPATION	100	60	mW
DERATE LINEARLY FROM 50 °C	0.4	0.25	mA/°C
CONTINUOUS FORWARD CURRENT	30	20	mA
PEAK FORWARD CURRENT (1/10 DUTY CYCLE, 0.1 ms PULSE WIDTH)	120	80	mA
LEAD SOLDERING TEMPERATURE, 5 SEC., 1/16" FROM BODY	260		°C
OPERATING TEMPERATURE	-55 TO +100		°C
STORAGE TEMPERATURE	-55 TO +100		°C

ABSOLUTE MAXIMUM RATINGS AT 25°C AMBIENT FOR RED / GREEN

POWER DISSIPATION	100 mW
DERATE LINEARLY FROM 50°C	.40 mA/°C
CONTINUOUS FORWARD CURRENT	30 mA
PEAK FORWARD CURRENT (10 ms PULSE WIDTH, 1/10 DUTY)	120 mA
PEAK REVERSE VOLTAGE	5 V
LEAD SOLDERING TEMPERATURE, 6 SEC., 1/16" FROM BASE	260° C
OPERATING TEMPERATURE	-55° C TO +100° C
STORAGE TEMPERATURE	-55° C TO +100° C

OPERATING CHARACTERISTICS AT 25°C AMBIENT FOR RED / GREEN

CHARACTERISTICS	COLOR	MIN	TYP	MAX	UNITS	TEST CONDITIONS
FORWARD VOLTAGE	RED	2.0	2.8		V	$I_f = 20 \text{ mA}$
	GREEN	2.1	2.8			
REVERSE CURRENT	RED			100	μA	$V_R = 5 \text{ V}$
	GREEN					
PEAK WAVELENGTH	RED		635		nm	$I_f = 20 \text{ mA}$
	GREEN		565			
DOMINANT WAVELENGTH	RED	630	635	640	nm	$I_f = 20 \text{ mA}$
	GREEN	563	569	572		
VIEWING ANGLE	RED		60		DEGREE	$I_f = 20 \text{ mA}$
	GREEN					
LUMINOUS INTENSITY	RED	2.5	4.7	15	mc d	$I_f = 10 \text{ mA}$
	GREEN	3.7	10.0	20		



RoHS Compliant 597-0700-XXXX Bi-color Thru hole CBI

Part Numbers with the "F" suffix ending are RoHS Compliant.
 Example: 597-0700-111F
 Packaging is marked with "RoHS Compliant" label or equivalent markings.
 Parts can be wave soldered, dip soldered or hand soldered using typical lead-free soldering process with max 260°C temp. for 5 sec.



ATTENTION:
 OBSERVE PRECAUTIONS FOR
 HANDLING ELECTROSTATIC
 SENSITIVE DEVICES

THIS DRAWING AND THE CONTENTS HEREIN ARE CONFIDENTIAL AND THE SOLE PROPERTY OF DIALIGHT. REPRODUCTION OF THIS DRAWING OR CONSTRUCTION OF ANY PARTS WITHIN THIS DRAWING ARE FORBIDDEN WITHOUT THE WRITTEN CONSENT OF DIALIGHT.		
SCALE: DRAWING SCALE	DRAWING NUMBER	REV
ALL DIM'S IN: INCHES (MM)	C-17408	A
TOLERANCES: UNLESS OTHERWISE SPECIFIED	TITLE STANDARD 3XI CBI BLOCK RoHS COMPLIANT	
FRACTIONS: ±1/64	MATERIAL	
DECIMALS (.XX): ±.01	Dialight	
DECIMALS (.XXX): ±.005	1501 ROUTE 34 SOUTH FARMINGDALE, NJ 07727	
DECIMALS (.XXXX): ±.0005	FSCM 83330	
ANGLES: ±1°	SHEET 1 OF 1 FAMILY TABLE:	