



Chipsmall Limited consists of a professional team with an average of over 10 year of expertise in the distribution of electronic components. Based in Hongkong, we have already established firm and mutual-benefit business relationships with customers from,Europe,America and south Asia,supplying obsolete and hard-to-find components to meet their specific needs.

With the principle of "Quality Parts,Customers Priority,Honest Operation,and Considerate Service",our business mainly focus on the distribution of electronic components. Line cards we deal with include Microchip,ALPS,ROHM,Xilinx,Pulse,ON,Everlight and Freescale. Main products comprise IC,Modules,Potentiometer,IC Socket,Relay,Connector.Our parts cover such applications as commercial,industrial, and automotives areas.

We are looking forward to setting up business relationship with you and hope to provide you with the best service and solution. Let us make a better world for our industry!



Contact us

Tel: +86-755-8981 8866 Fax: +86-755-8427 6832

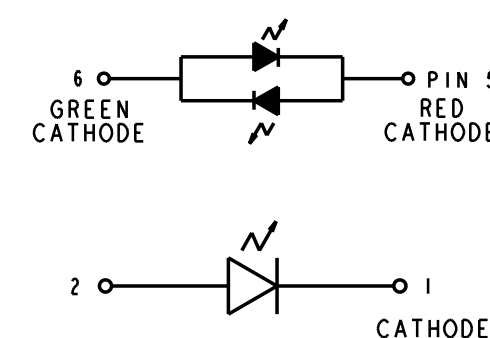
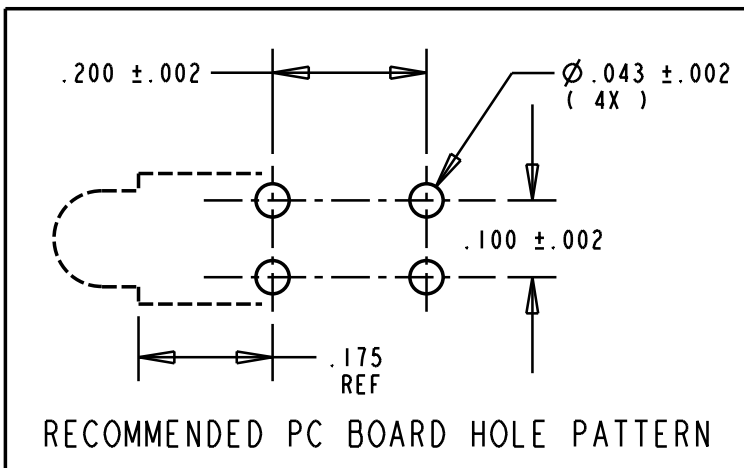
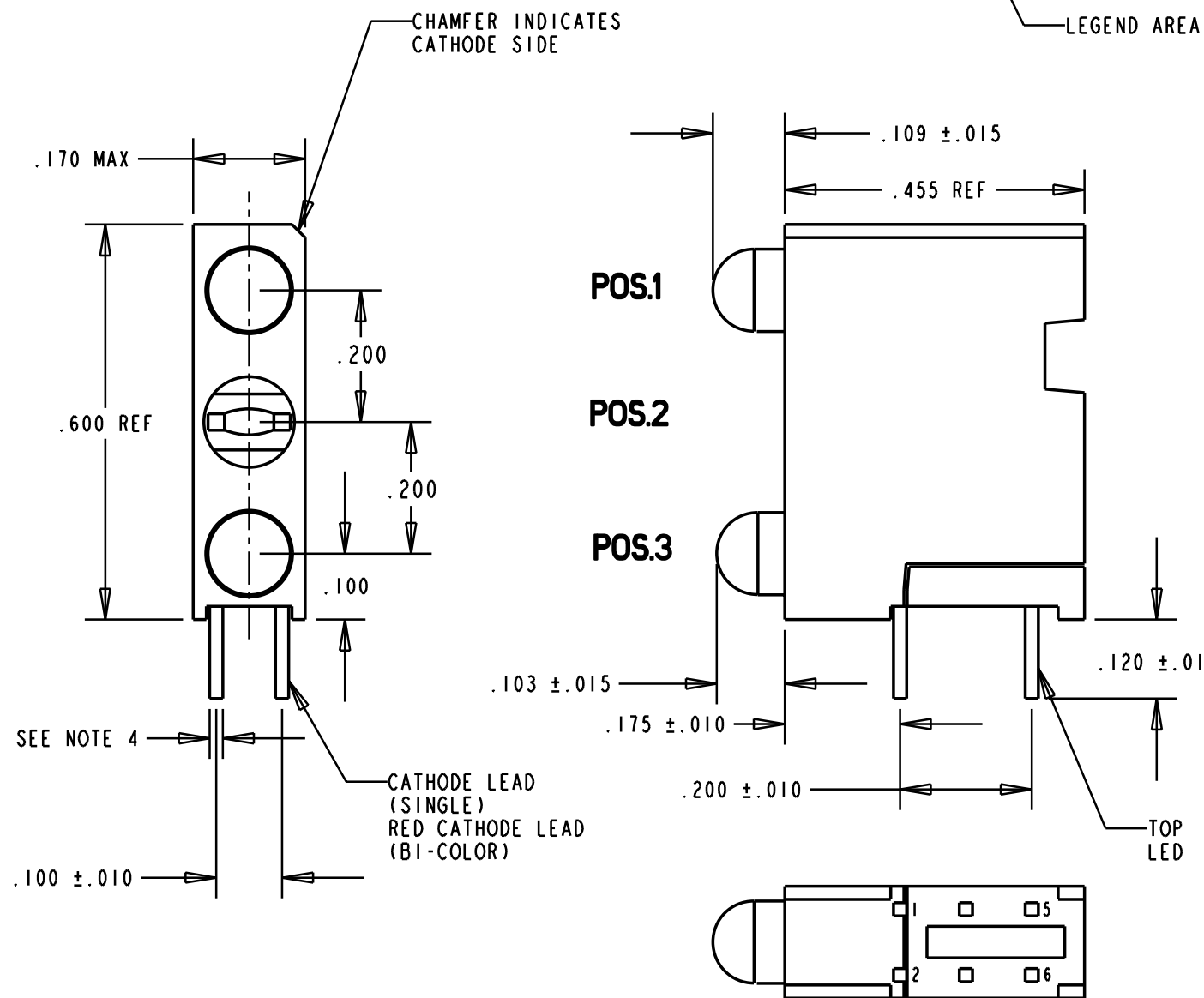
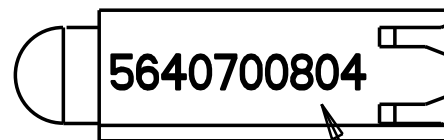
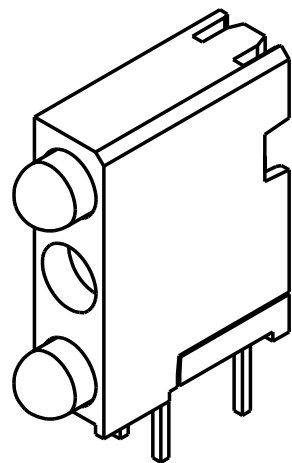
Email & Skype: info@chipsmall.com Web: www.chipsmall.com

Address: A1208, Overseas Decoration Building, #122 Zhenhua RD., Futian, Shenzhen, China



PART NUMBER and LEGEND	LED COLOR		
	POSITION 1	POSITION 2	POSITION 3
564-0700-804	RED / GREEN	** BLANK **	RED DIFFUSED

REV.	ECN NO.	REVISIONS	DRN.	CKD.	APP.	DATE
A	-----	NEW RELEASE	JMC	--	NO	3-15-94
B	-----	REVERSE PIN NO'S IN POS. 3	JMC	--	NO	3-31-94
C	-----	LEAD TRIM $.120 \pm .010$ WAS $.145 \pm .010$	JMC	--	NO	9-1-94
D	-----	CONVERTED TO NEW "BOTTOM" INSERT DESIGN; ADDED NEW NOTE 1 AND 3 THRU 6.	TC			



- NOTES:
- LEADS TO FIT INTO HOLES SPACED AS PER HOLE PATTERN
 - PIN NUMBERS FOR REFERENCE ONLY, DESIGNATION NON-EXISTENT ON PARTS.
 - LEADS TO BE FREE OF DEFORMATION AFTER BENDING AND CUTTING
 - LED LEAD DIMENSIONS SHOWN ARE MEASURED AT HOUSING EXIT
 - .020 SQ.NOM. = POS.1
.018 SQ.NOM. = POS.3
 - DIALIGHT PART NUMBER: 564-0700-804

OPERATING CHARACTERISTICS AT $T_A = 25^\circ\text{C}$

SYMBOL	PARAMETER	COLOR	MIN	TYP	MAX	UNITS	TEST COND.
V_F	FORWARD VOLTAGE	RED		1.8	2.2	V	$I_F = 2 \text{ mA}$
V_R	REVERSE VOLTAGE	RED	5			V	$I_R = 50 \mu\text{A}$
λ_{PK}	PEAK WAVELENGTH	RED		635		nm	MEASURED AT PEAK
I_V	LUMINOUS INTENSITY	RED	1.0	1.8		mcd	$I_F = 2 \text{ mA}$

BI-COLOR LEDS
OPERATING CHARACTERISTICS AT $T_A = 25^\circ\text{C}$

SYMBOL	PARAMETER	COLOR	MIN	TYP	MAX	UNITS	TEST COND.
V_F	FORWARD VOLTAGE	RED		2.0	2.6	V	$I_F = 10 \text{ mA}$
		GREEN		2.0	2.6		
λ_D	PEAK WAVELENGTH	RED		635		nm	
		GREEN		565			
I_V	LUMINOUS INTENSITY	RED	2.5			mcd	$I_F = 10 \text{ mA}$
		GREEN	2.5				

THIS DRAWING AND THE CONTENTS HEREIN ARE CONFIDENTIAL AND THE SOLE PROPERTY OF DIALIGHT. REPRODUCTION OF THIS DRAWING OR CONSTRUCTION OF ANY PARTS WITHIN THIS DRAWING ARE FORBIDDEN WITHOUT THE WRITTEN CONSENT OF DIALIGHT.

SCALE 4:1
ALL DIM'S IN: INCHES

TOLERANCES: UNLESS OTHERWISE SPECIFIED
FRACTIONS: $\pm 1/64$
DECIMALS (.XX): $\pm .020$
DECIMALS (.XXX): $\pm .015$

ANGLES: $\pm 1^\circ$
FINISH:

FSCM 83330

DRAWING NUMBER: C-15856
REV: D

TITLE: STANDARD 3X1 CBI BLOCK

MATERIAL:

Dialight 1913 ATLANTIC AVE. MANASQUAN, N.J. 08736

SHEET OF FAMILY TABLE: