



Chipsmall Limited consists of a professional team with an average of over 10 year of expertise in the distribution of electronic components. Based in Hongkong, we have already established firm and mutual-benefit business relationships with customers from,Europe,America and south Asia,supplying obsolete and hard-to-find components to meet their specific needs.

With the principle of “Quality Parts,Customers Priority,Honest Operation,and Considerate Service”,our business mainly focus on the distribution of electronic components. Line cards we deal with include Microchip,ALPS,ROHM,Xilinx,Pulse,ON,Everlight and Freescale. Main products comprise IC,Modules,Potentiometer,IC Socket,Relay,Connector.Our parts cover such applications as commercial,industrial, and automotives areas.

We are looking forward to setting up business relationship with you and hope to provide you with the best service and solution. Let us make a better world for our industry!



Contact us

Tel: +86-755-8981 8866 Fax: +86-755-8427 6832

Email & Skype: info@chipsmall.com Web: www.chipsmall.com

Address: A1208, Overseas Decoration Building, #122 Zhenhua RD., Futian, Shenzhen, China



REV	ECN NO	REVISIONS	DRN	CKD	APP	DATE
A	—	NEW RELEASE	CE			



ATTENTION:
OBSERVE PRECAUTIONS FOR
HANDLING ELECTROSTATIC
SENSITIVE DEVICES

RoHS Compliant 564-2210-XXXF
Part Numbers with the "F" suffix ending are RoHS Compliant.
Example: 564-2210-132F
Packaging is marked with "RoHS Compliant" label or equivalent markings.
Parts can be wave soldered, dip soldered or hand soldered using typical lead-free soldering process with max 260°C temp. for 5 sec.

PART NUMBER and LEGEND	LED COLOR		
	POSITION 1	POSITION 2	POSITION 3
564-2210-010F	** BLANK **	RED NON-DIFFUSED	** BLANK **
564-2210-111F	RED NON-DIFFUSED	RED NON-DIFFUSED	RED NON-DIFFUSED
564-2210-113F	RED NON-DIFFUSED	RED NON-DIFFUSED	YELLOW NON-DIFFUSED
564-2210-122F	RED NON-DIFFUSED	GREEN NON-DIFFUSED	GREEN NON-DIFFUSED
564-2210-123F	RED NON-DIFFUSED	GREEN NON-DIFFUSED	YELLOW NON-DIFFUSED
564-2210-132F	RED NON-DIFFUSED	YELLOW NON-DIFFUSED	GREEN NON-DIFFUSED
564-2210-133F	RED NON-DIFFUSED	YELLOW NON-DIFFUSED	YELLOW NON-DIFFUSED
564-2210-222F	GREEN NON-DIFFUSED	GREEN NON-DIFFUSED	GREEN NON-DIFFUSED
564-2210-223F	GREEN NON-DIFFUSED	GREEN NON-DIFFUSED	YELLOW NON-DIFFUSED
564-2210-232F	GREEN NON-DIFFUSED	YELLOW NON-DIFFUSED	GREEN NON-DIFFUSED
564-2210-233F	GREEN NON-DIFFUSED	YELLOW NON-DIFFUSED	YELLOW NON-DIFFUSED
564-2210-303F	YELLOW NON-DIFFUSED	** BLANK **	YELLOW NON-DIFFUSED
564-2210-312F	YELLOW NON-DIFFUSED	RED NON-DIFFUSED	GREEN NON-DIFFUSED
564-2210-322F	YELLOW NON-DIFFUSED	GREEN NON-DIFFUSED	GREEN NON-DIFFUSED
564-2210-332F	YELLOW NON-DIFFUSED	YELLOW NON-DIFFUSED	GREEN NON-DIFFUSED
564-2210-333F	YELLOW NON-DIFFUSED	YELLOW NON-DIFFUSED	YELLOW NON-DIFFUSED

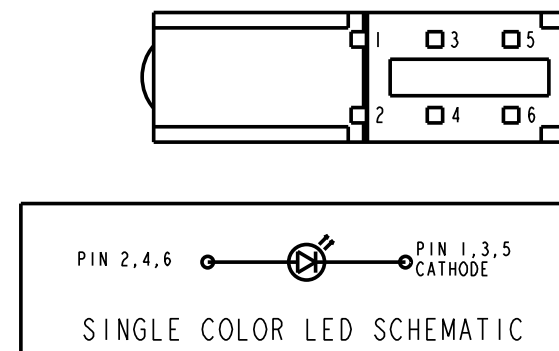
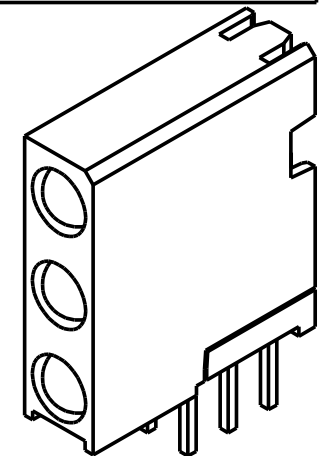
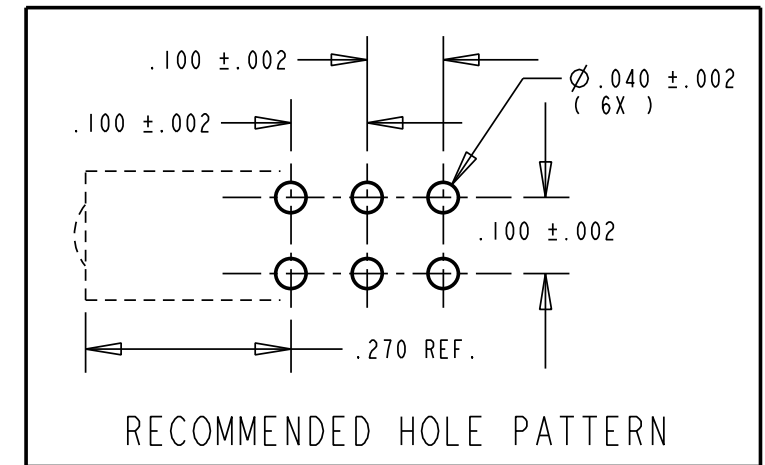
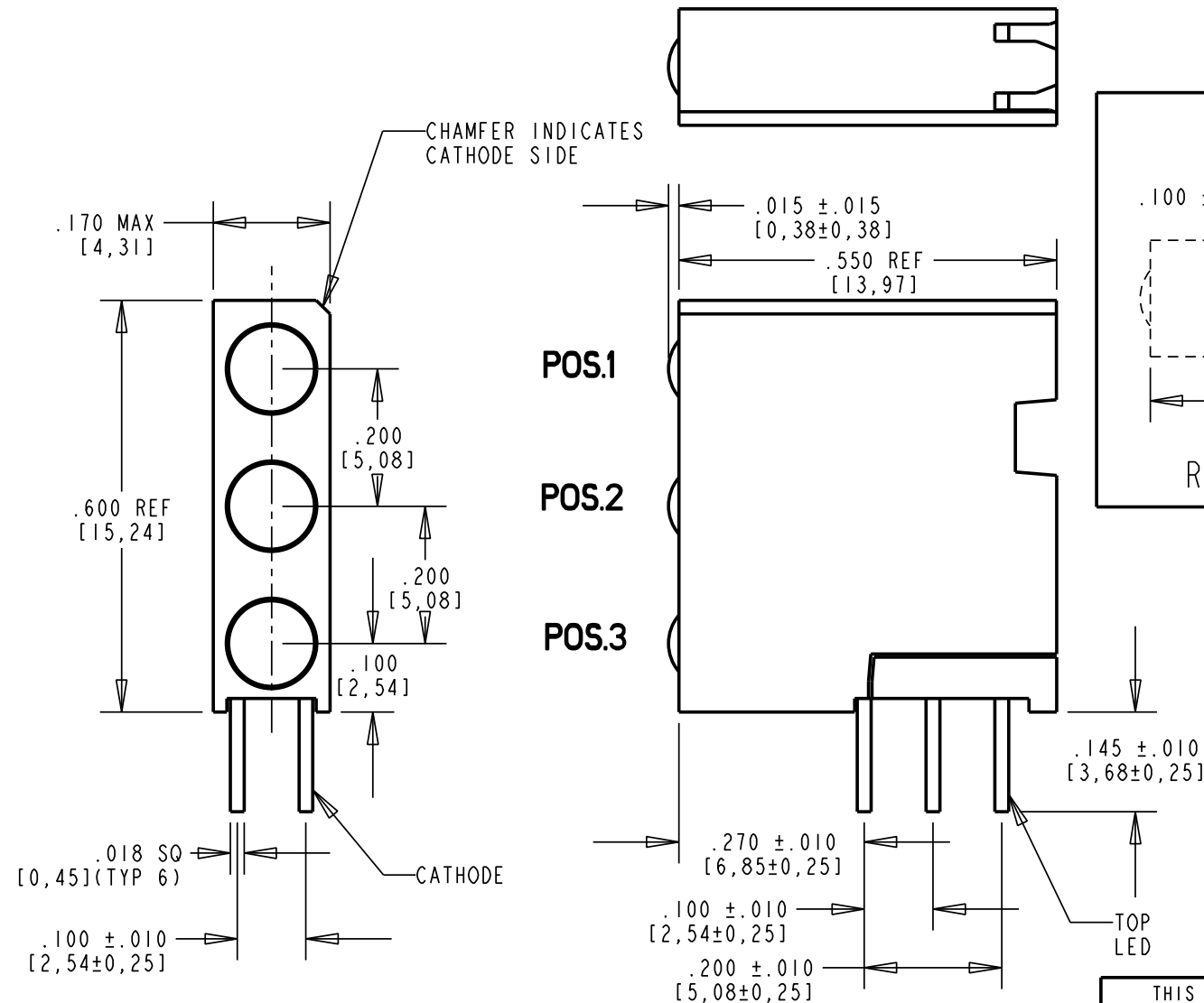
NOTES:

- LEADS TO FIT INTO HOLES SPACED AS PER HOLE PATTERN
- LEADS TO BE FREE OF DEFORMATION AFTER BENDING AND CUTTING
- WHEN A ZERO APPEARS IN THE LAST 3 DIGITS OF THE PART NUMBER THIS MEANS NO LAMP REQUIRED IN THAT POSITION
- LED LEAD DIMENSIONS SHOWN ARE MEASURED AT HOUSING EXIT
- DIALIGHT PART NUMBER: 564-2210-XXXF
- THIS ASSEMBLY CONTAINS ELECTROSTATIC DISCHARGE SENSITIVE DEVICES (ESDS). MAINTAIN ALL PRECAUTIONARY MEASURES DURING ASSEMBLY, HANDLING AND STORAGE IN ACCORDANCE WITH IPC-A-610.

OPERATING CHARACTERISTICS AT 25°C AMBIENT

CHARACTERISTICS	LED COLOR	MIN	TYP	MAX	UNITS	TEST CONDITIONS
LUMINOUS INTENSITY	RED	8.7	29		mcd	I _F = 10 mA
	YELLOW	10		50		
	GREEN	32	50			
FORWARD VOLTAGE	RED		2.0	2.8	V	I _F = 20 mA
	YELLOW		2.1	2.8		
	GREEN		2.1	2.8		
REVERSE CURRENT	ALL			100	μA	V _R = 5 V
PEAK WAVELENGTH	RED		635		nm	
	YELLOW		585			
	GREEN		565			

ABSOLUTE MAXIMUM RATING AT 25°C AMBIENT		UNITS	RED	YELLOW	GREEN
POWER DISSIPATION		mW	100	60	100
DERATE LINEARLY FROM 50°C		mW/°C	0.4	0.25	0.4
CONTINUOUS FORWARD CURRENT		mA	30	20	30
PEAK FORWARD CURRENT (1/10 DUTY CYCLE, 0.1 ms PULSE WIDTH)		mA	120	80	120
LEAD SOLDERING TEMPERATURE, 5 SEC., 1/16" FROM BODY		°C	260	260	260
OPERATING TEMPERATURE		°C	-55 TO +100	-55 TO +100	-55 TO +100
STORAGE TEMPERATURE		°C	-55 TO +100	-55 TO +100	-55 TO +100



THIS DRAWING AND THE CONTENTS HEREIN ARE CONFIDENTIAL AND THE SOLE PROPERTY OF DIALIGHT. REPRODUCTION OF THIS DRAWING OR CONSTRUCTION OF ANY PARTS WITHIN THIS DRAWING ARE FORBIDDEN WITHOUT THE WRITTEN CONSENT OF DIALIGHT.		
SCALE: DRAWING SCALE ALL DIM'S IN: INCHES (MM)	DRAWING NUMBER C-17375	REV A
TOLERANCES: UNLESS OTHERWISE SPECIFIED	TITLE EXTENDED TRI-LEVEL CBI BLOCK RoHS COMPLIANT	
FRACTIONS: ±1/64 DECIMALS (.XX): ±.020 DECIMALS (.XXX): ±.005 DECIMALS (.XXXX): ±.0005 ANGLES: ±1°	MATERIAL	
FINISH:	Dialight 1501 ROUTE 34 SOUTH FARMINGDALE, NJ 07727	
FSCM 83330	SHEET 1 OF 1	FAMILY TABLE: