



Chipsmall Limited consists of a professional team with an average of over 10 year of expertise in the distribution of electronic components. Based in Hongkong, we have already established firm and mutual-benefit business relationships with customers from,Europe,America and south Asia,supplying obsolete and hard-to-find components to meet their specific needs.

With the principle of “Quality Parts,Customers Priority,Honest Operation,and Considerate Service”,our business mainly focus on the distribution of electronic components. Line cards we deal with include Microchip,ALPS,ROHM,Xilinx,Pulse,ON,Everlight and Freescale. Main products comprise IC,Modules,Potentiometer,IC Socket,Relay,Connector.Our parts cover such applications as commercial,industrial, and automotives areas.

We are looking forward to setting up business relationship with you and hope to provide you with the best service and solution. Let us make a better world for our industry!



Contact us

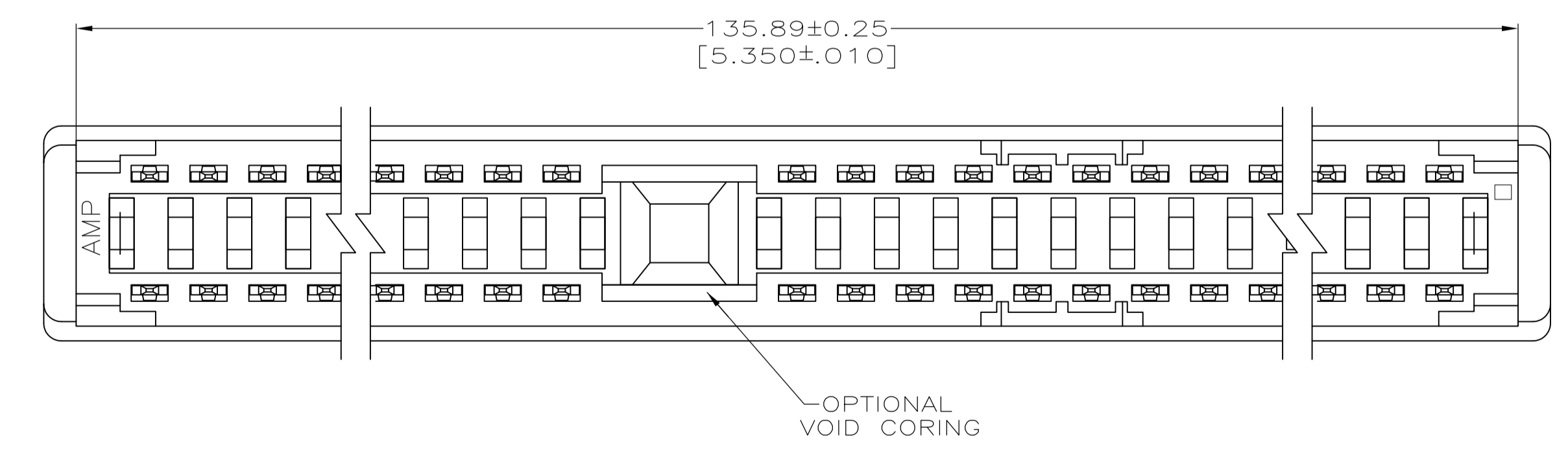
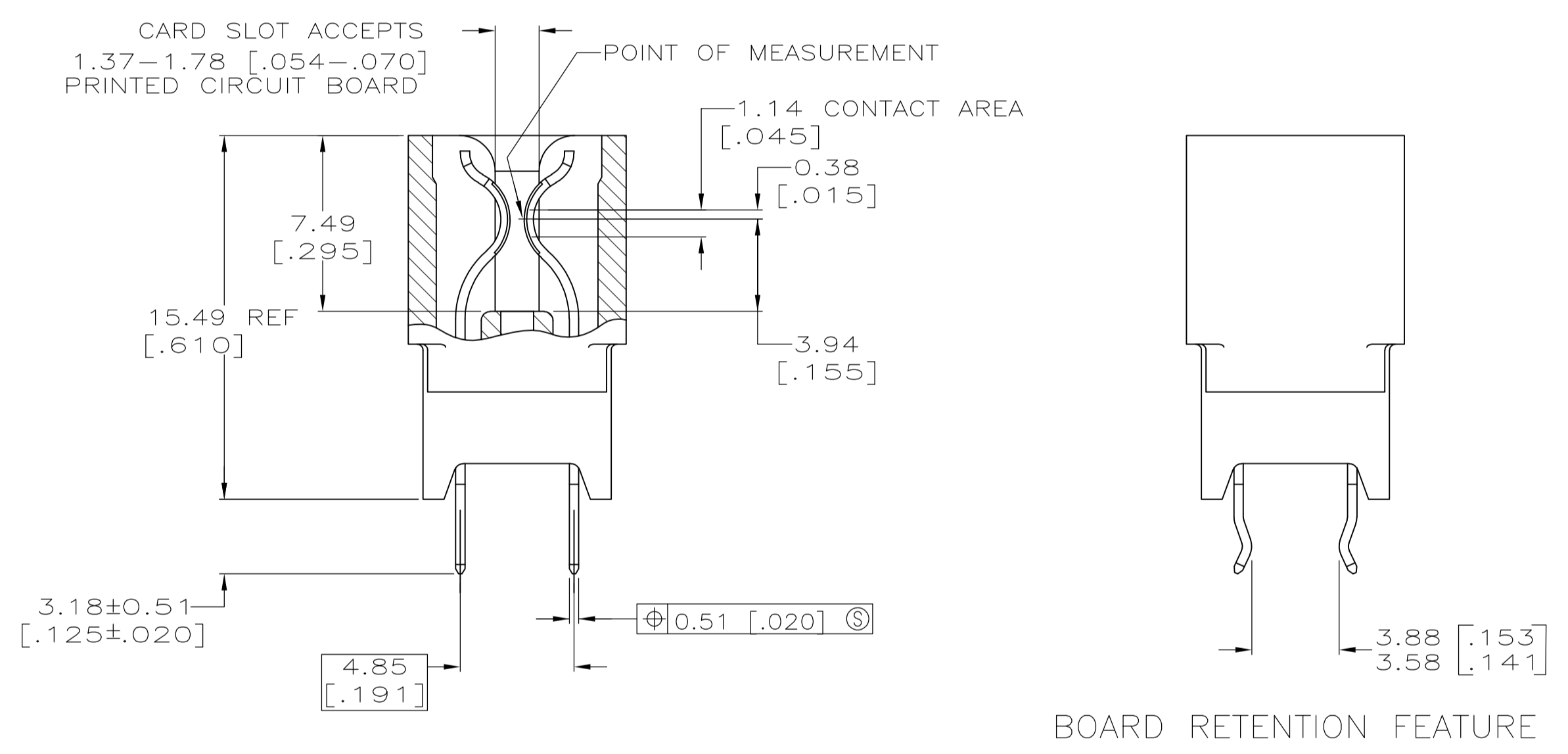
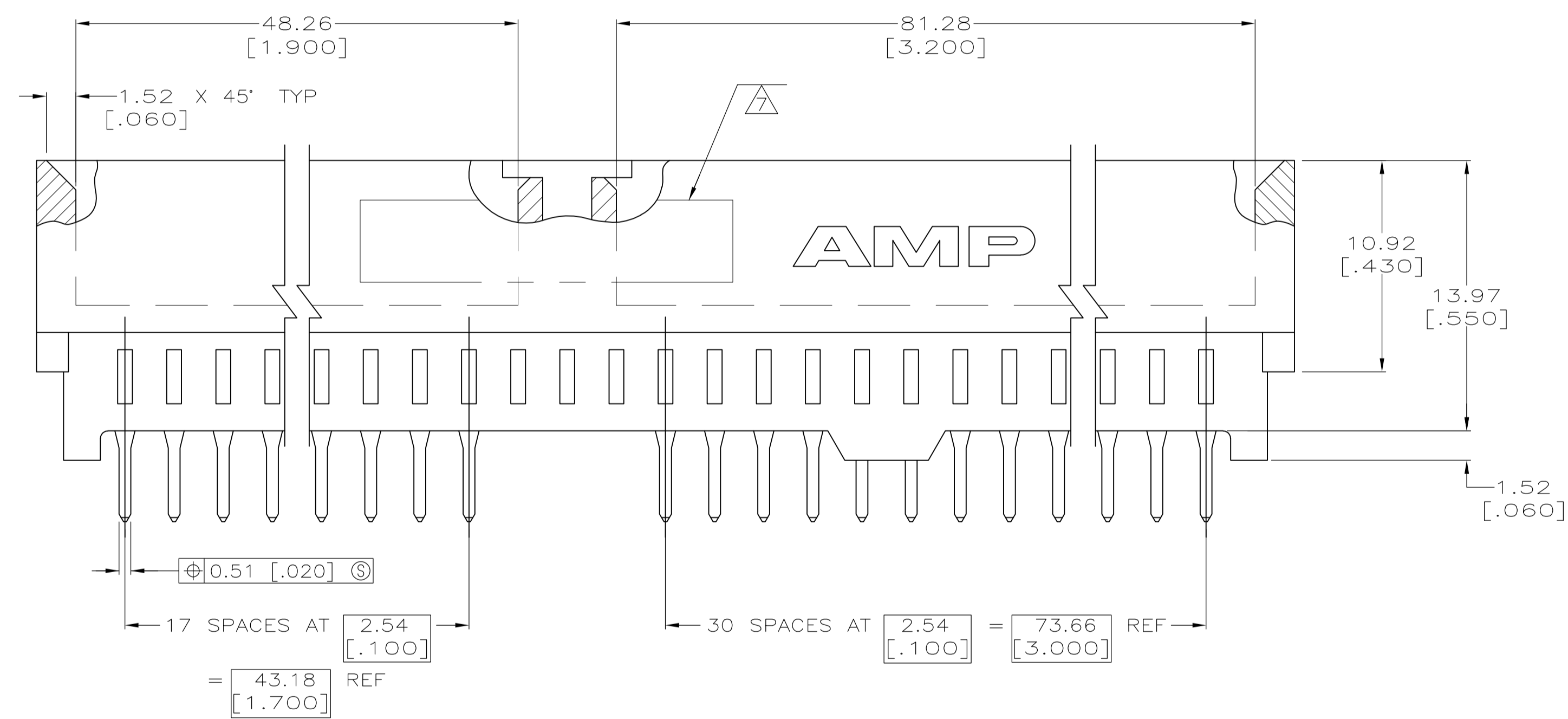
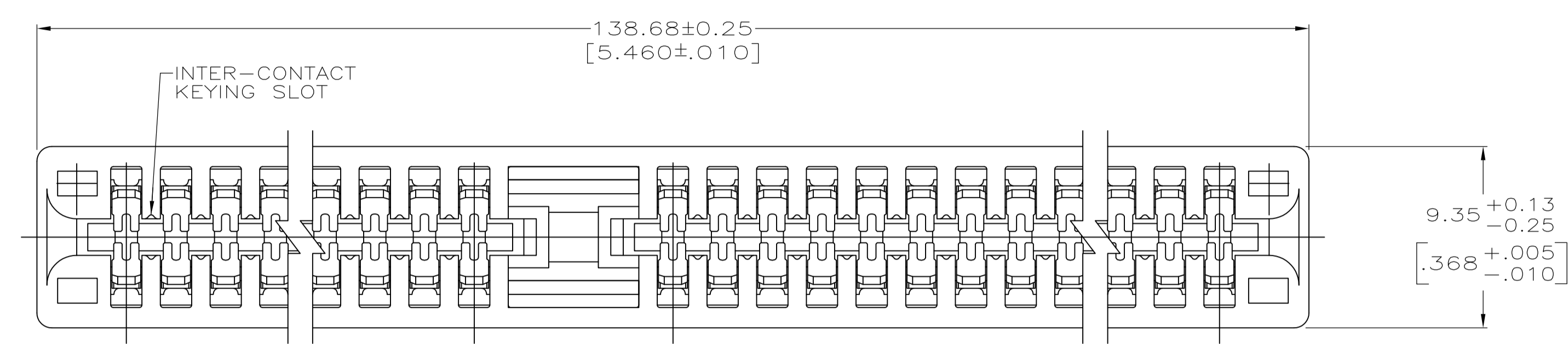
Tel: +86-755-8981 8866 Fax: +86-755-8427 6832

Email & Skype: info@chipsmall.com Web: www.chipsmall.com

Address: A1208, Overseas Decoration Building, #122 Zhenhua RD., Futian, Shenzhen, China



- 1 HOUSING: GLASS FILLED POLYESTER; COLOR: BLACK.
- 2 CONTACT: PHOSPHOR BRONZE.
- 3 NICKEL PLATE: 0.00127 [.000050] MIN - ALL OVER.
- 4 MATTE TIN PLATE: 0.00254 [.000100] MIN-SOLDER POSTS.
- 5 GOLD PLATE: 0.00076 [.000030] MIN - CONTACT AREA.
- 6 NICKEL PLATE PER MIL-G-45204. GOLD PLATE PER QQ-N-290.
- 7 AMP PART NUMBER, DATE CODE AND CSA LOGO ARE MARKED IN APPROXIMATE AREA SHOWN, EITHER SIDE.
- 8. RECOMMENDED PCB FINISHED HOLE DIA: 1.02±0.08 [.040±.003].
- 9. THE RETENTIVE FEATURE OF THIS CONNECTOR IS DESIGNED FOR FULL SEATING IN .062±.008 THICK CIRCUIT BOARDS. FOR APPLICATIONS IN BOARDS OF OTHER THICKNESSES CONTACT AMP INCORPORATED.
- 10 PACKAGED 20 CONNECTORS PER TUBE.
- 11 PACKAGED 72 CONNECTORS PER EPS TRAY.
- 12 GOLD PLATE: 0.00038 [.000015] MIN - CONTACT AREA.
- 13 PACKAGED IN SLIDE PACK.
- 14 PACKAGE 57 CONNECTORS IN TUBES.
- 15 DATUMS AND BASIC DIMENSIONS TO BE DETERMINED BY CUSTOMER.

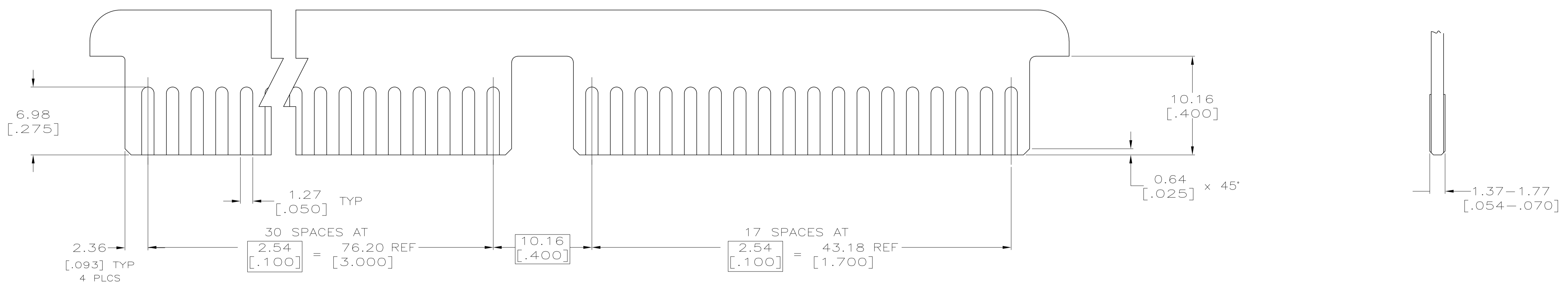


NOTE 5	NOTE 11	5,6,31,32,41,42,93,94	49	5645169-4
NOTE 5	NOTE 11	-	49	5645169-3
NOTE 5	NOTE 11	5,6,31,32,41,42,93,94	49	5645169-2
PLATING	PACKAGE	BOARD RETENTION LOCATION	NO OF POSN	PART NUMBER

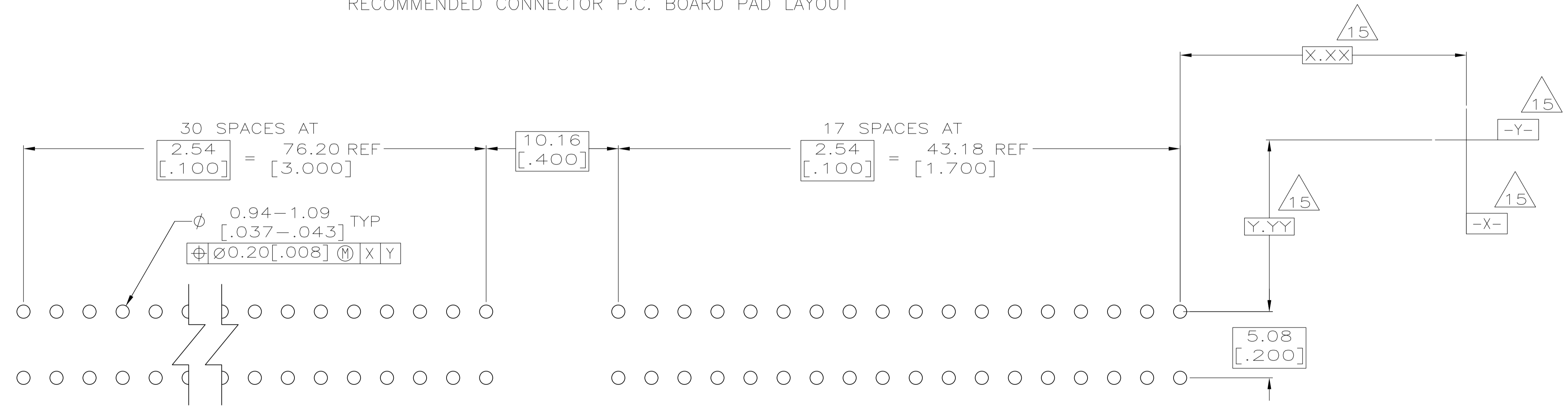
THIS DRAWING IS A CONTROLLED DOCUMENT.

DIMENSIONS: mm	TOLERANCES UNLESS OTHERWISE SPECIFIED:	0 PLC ± -	1 PLC ± -	2 PLC ± 0.13 [.005]	3 PLC ± -	4 PLC ± -	ANGLES ± °
MATERIAL		FINISH		WEIGHT		CUSTOMER DRAWING	

AL FRANTUM 14 JUN 05
AL FRANTUM 14 JUN 05
NAME: CONNECTOR ASSEMBLY, STANDARD EDGE II, 2.54 [.100]
PRODUCT SPEC: 108-9039
APPLICATION SPEC: 108-9039
SIZE: A1
CAGE CODE: 00779
DRAWING NO: 5645169
RESTRICTED TO: -
SCALE: 5:1
SHEET: 1 OF 2
REV: A1



RECOMMENDED CONNECTOR P.C. BOARD PAD LAYOUT



RECOMMENDED CONNECTOR P.C. BOARD HOLE PATTERN

THIS DRAWING IS A CONTROLLED DOCUMENT.		DN: AL FRANTUM 14 JUN 05	TE Connectivity
		CHK: AL FRANTUM 14 JUN 05	
DIMENSIONS:	TOLERANCES UNLESS OTHERWISE SPECIFIED:	APVD:	NAME:
mm	0. PLC ± -	PRODUCT SPEC:	CONNECTOR ASSEMBLY, STANDARD EDGE II, 2.54 [.100]
	1. PLC ± -	APPLICATION SPEC:	108-9039
	2. PLC ± 0.13 [.005]		
	3. PLC ± -	SIZE:	A1
	4. PLC ± -	CAGE CODE:	00779
	ANGLES ± -	DRAWING NO:	5645169
MATERIAL:	FINISH:	WEIGHT:	RESTRICTED TO:
SEE SHEET 1	SEE SHEET 1		
CUSTOMER DRAWING		SCALE:	5:1
		SHEET:	2 OF 2
		REV:	A1