



Chipsmall Limited consists of a professional team with an average of over 10 year of expertise in the distribution of electronic components. Based in Hongkong, we have already established firm and mutual-benefit business relationships with customers from,Europe,America and south Asia,supplying obsolete and hard-to-find components to meet their specific needs.

With the principle of “Quality Parts,Customers Priority,Honest Operation,and Considerate Service”,our business mainly focus on the distribution of electronic components. Line cards we deal with include Microchip,ALPS,ROHM,Xilinx,Pulse,ON,Everlight and Freescale. Main products comprise IC,Modules,Potentiometer,IC Socket,Relay,Connector.Our parts cover such applications as commercial,industrial, and automotives areas.

We are looking forward to setting up business relationship with you and hope to provide you with the best service and solution. Let us make a better world for our industry!



Contact us

Tel: +86-755-8981 8866 Fax: +86-755-8427 6832

Email & Skype: info@chipsmall.com Web: www.chipsmall.com

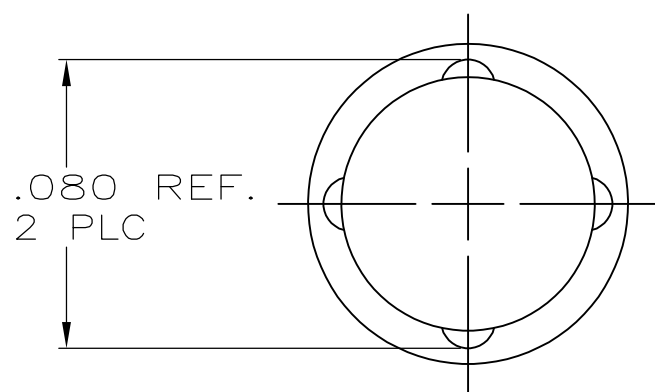
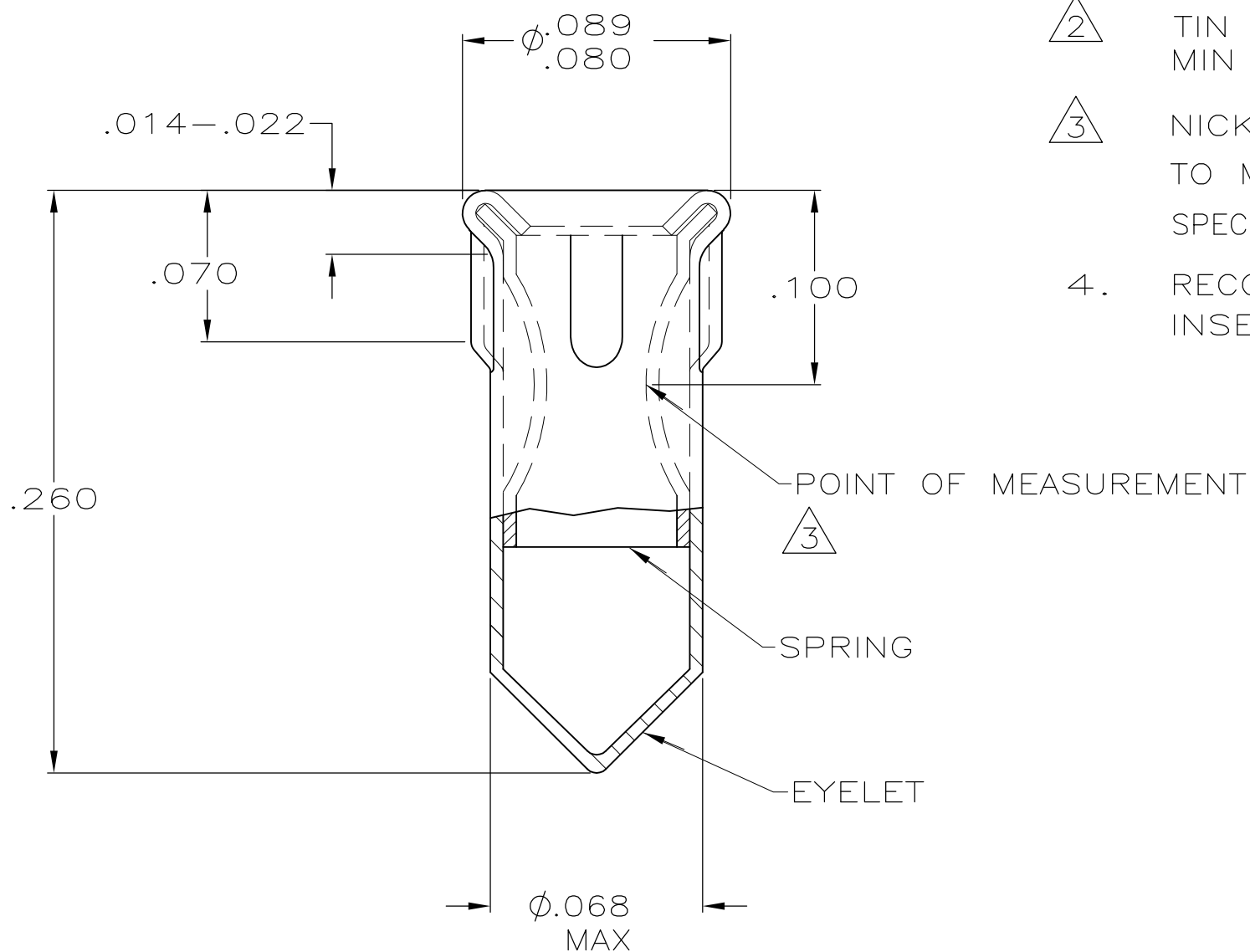
Address: A1208, Overseas Decoration Building, #122 Zhenhua RD., Futian, Shenzhen, China



THIS DRAWING IS UNPUBLISHED. RELEASED FOR PUBLICATION
 © COPYRIGHT BY TYCO ELECTRONICS CORPORATION. ALL RIGHTS RESERVED.

LOC	DIST	REVISIONS					
AG	53	P	LTR	DESCRIPTION	DATE	DWN	APVD
			B	REV PER ECO-09-026264	09MAR2010	HMR	DB

- 1 MATERIAL: EYELET-COPPER PER ASTM B 152
 SPRING-BERYLLIUM COPPER
 PER ASTM B 194
- 2 TIN PLATE PER ASTM B 545 .000100
 MIN THICK.
- 3 NICKEL UNDERPLATE ALL OVER, MATING SURFACE PLATED
 TO MEET PERFORMANCE REQUIREMENTS OF TYCO PRODUCT
 SPECIFICATION 108-14008.
- 4. RECOMMENDED HOLE SIZE FOR MACHINE
 INSERTION .069-.075.



.037-.041	.100-.210	2	2	5645500-2
		3		5645500-1
DIA	LENGTH	SPRING	EYELET	PART NUMBER
PIN		FINISH		

THIS DRAWING IS A CONTROLLED DOCUMENT.		DWN G. ATTADIA - 20APR2005	Tyco Electronics Corporation Harrisburg, PA 17105-3608		
DIMENSIONS: INCHES		CHK J. HAVENER 20APR2005	NAME		
TOLERANCES UNLESS OTHERWISE SPECIFIED:		APVD J. HAVENER 20APR2005	SOCKET, MSS, SERIES 4		
0 PLC ± -		PRODUCT SPEC	SIZE	CAGE CODE	DRAWING NO
1 PLC ± -		APPLICATION SPEC	—	A3	00779
2 PLC ± -		WEIGHT	—	C-	5645500
3 PLC ± .010		CUSTOMER DRAWING	SCALE	SHEET	REV
4 PLC ± -			NTS	1 OF 1	B
ANGLES ± -					
FINISH					
SEE TABLE					