



Chipsmall Limited consists of a professional team with an average of over 10 year of expertise in the distribution of electronic components. Based in Hongkong, we have already established firm and mutual-benefit business relationships with customers from,Europe,America and south Asia,supplying obsolete and hard-to-find components to meet their specific needs.

With the principle of “Quality Parts,Customers Priority,Honest Operation,and Considerate Service”,our business mainly focus on the distribution of electronic components. Line cards we deal with include Microchip,ALPS,ROHM,Xilinx,Pulse,ON,Everlight and Freescale. Main products comprise IC,Modules,Potentiometer,IC Socket,Relay,Connector.Our parts cover such applications as commercial,industrial, and automotives areas.

We are looking forward to setting up business relationship with you and hope to provide you with the best service and solution. Let us make a better world for our industry!



Contact us

Tel: +86-755-8981 8866 Fax: +86-755-8427 6832

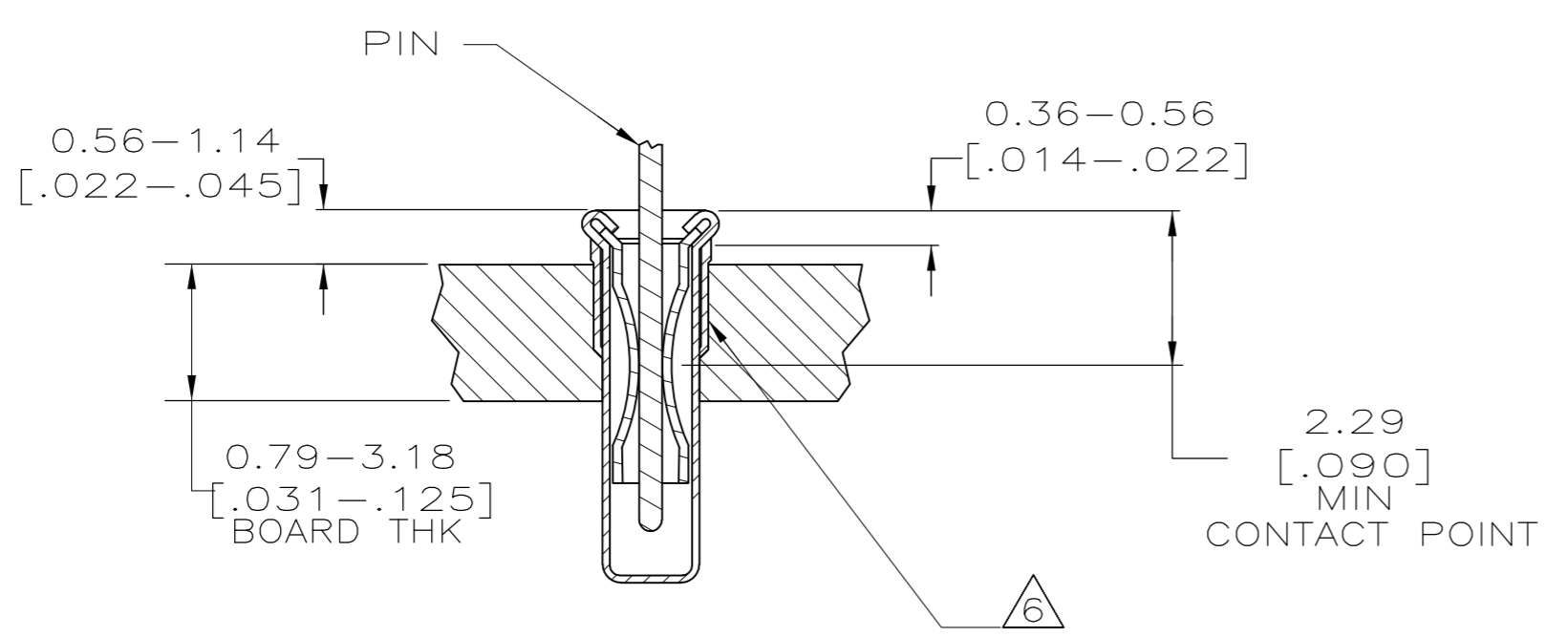
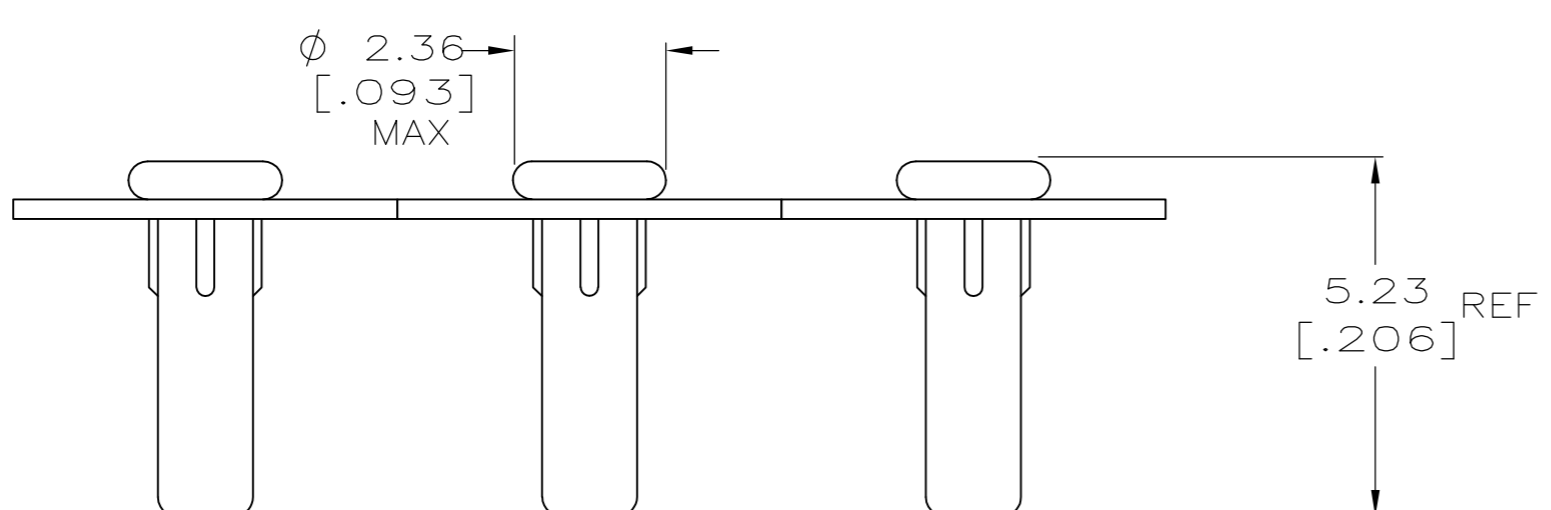
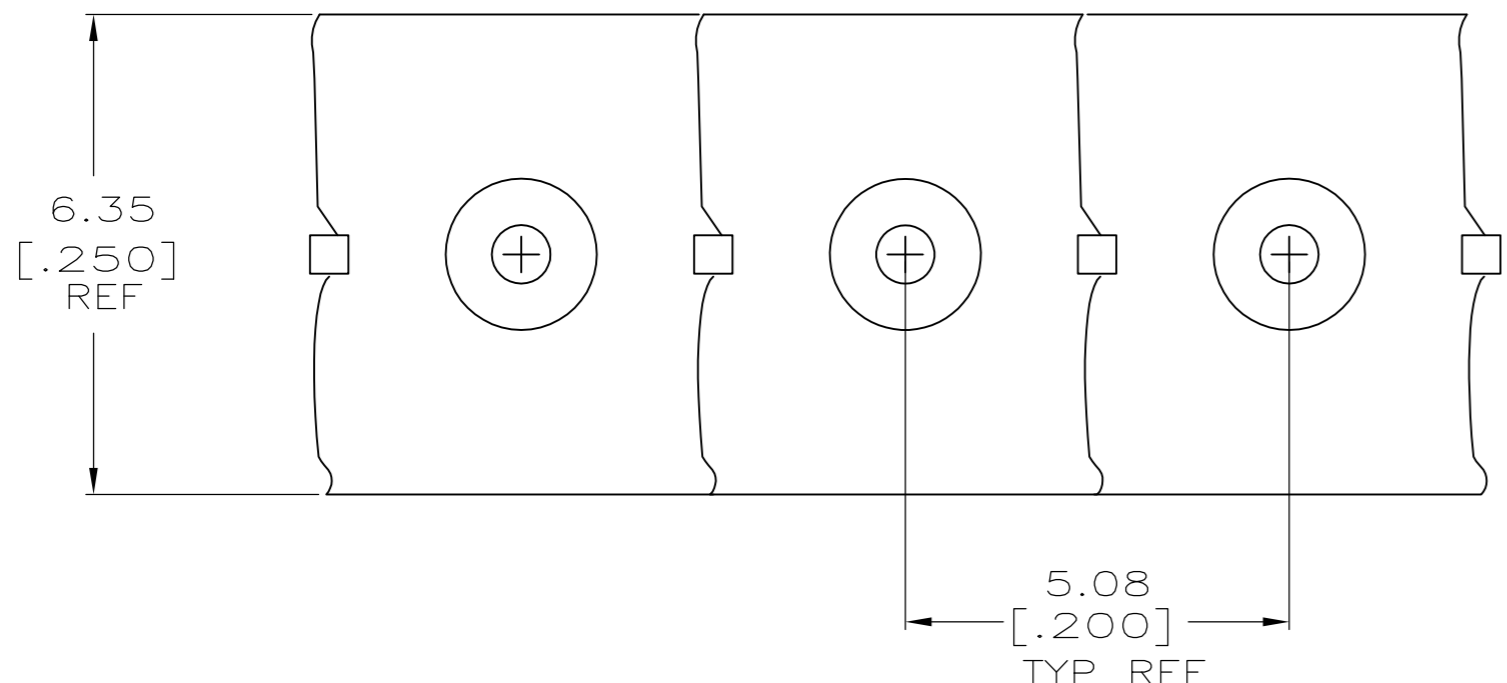
Email & Skype: info@chipsmall.com Web: www.chipsmall.com

Address: A1208, Overseas Decoration Building, #122 Zhenhua RD., Futian, Shenzhen, China



THIS DRAWING IS UNPUBLISHED. RELEASED FOR PUBLICATION
 © COPYRIGHT BY TYCO ELECTRONICS CORPORATION. ALL RIGHTS RESERVED.

LOC	DIST	REVISIONS			
P	LTR	DESCRIPTION	DATE	DWN	APVD
AG	53	01	REVISED PER ECO-08-021128	02SEP08	DH DB



- 1 MATERIAL:
EYELET- COPPER PER ASTM B 152
SPRING- BERYLLIUM-COPPER PER ASTM B 194
- 2 TIN PLATE PER ASTM B 545 0.00254 [.000100] MIN THICK.
- 3 NICKEL UNDERPLATE ALL OVER, MATING SURFACES PLATED TO MEET PERFORMANCE REQUIREMENTS OF TYCO ELECTRONICS PRODUCT SPECIFICATION 108-14008.
- 4. PACKAGE 50,000 PER REEL.
- 5 TO ENSURE 1/2 OZ MIN RETENTION, DO NOT EXCEED 0.05 [.002] DIFFERENCE IN PIN DIA WHEN CHANGING TO A SMALLER DIA PIN.
- 6 SHOULDER ON SOCKET PROVIDES RETENTION IN THE P.C. BOARD. THE RECOMMENDED HOLE DIAMETER IS $\phi 1.91 [\phi .075]$ MINIMUM, + 0.08 [.003] MAXIMUM PRIOR TO SOLDERING.

0.96-1.07 [.038-.042]	3	2	5645518-1
PIN DIA 5	3 2 SPRING EYELET FINISH		PART NUMBER

THIS DRAWING IS A CONTROLLED DOCUMENT.		DWN 100CT2005 J. HAVENER	Tyco Electronics Corporation Harrisburg, PA 17105-3608	
DIMENSIONS: mm [INCHES]		CHK 100CT2005 J. HAVENER	NAME MINIATURE SPRING SOCKET ASSY SERIES 4	
TOLERANCES UNLESS OTHERWISE SPECIFIED:		APVD 100CT2005 J. HAVENER	PRODUCT SPEC 108-14008	RESTRICTED TO -
0 PLC ± -		APPLICATION SPEC 114-26004	SIZE A2	CAGE CODE 00779
1 PLC ± -		WEIGHT -	DRAWING NO C=5645518	SCALE 10:1
2 PLC ± -		CUSTOMER DRAWING	SHEET 1 of 1	REV 01
3 PLC ± 0.20 [.008]				
4 PLC ± -				
ANGLES ± -				
FINISH SEE TABLE				

5645518