



Chipsmall Limited consists of a professional team with an average of over 10 year of expertise in the distribution of electronic components. Based in Hongkong, we have already established firm and mutual-benefit business relationships with customers from,Europe,America and south Asia,supplying obsolete and hard-to-find components to meet their specific needs.

With the principle of "Quality Parts,Customers Priority,Honest Operation,and Considerate Service",our business mainly focus on the distribution of electronic components. Line cards we deal with include Microchip,ALPS,ROHM,Xilinx,Pulse,ON,Everlight and Freescale. Main products comprise IC,Modules,Potentiometer,IC Socket,Relay,Connector.Our parts cover such applications as commercial,industrial, and automotives areas.

We are looking forward to setting up business relationship with you and hope to provide you with the best service and solution. Let us make a better world for our industry!



Contact us

Tel: +86-755-8981 8866 Fax: +86-755-8427 6832

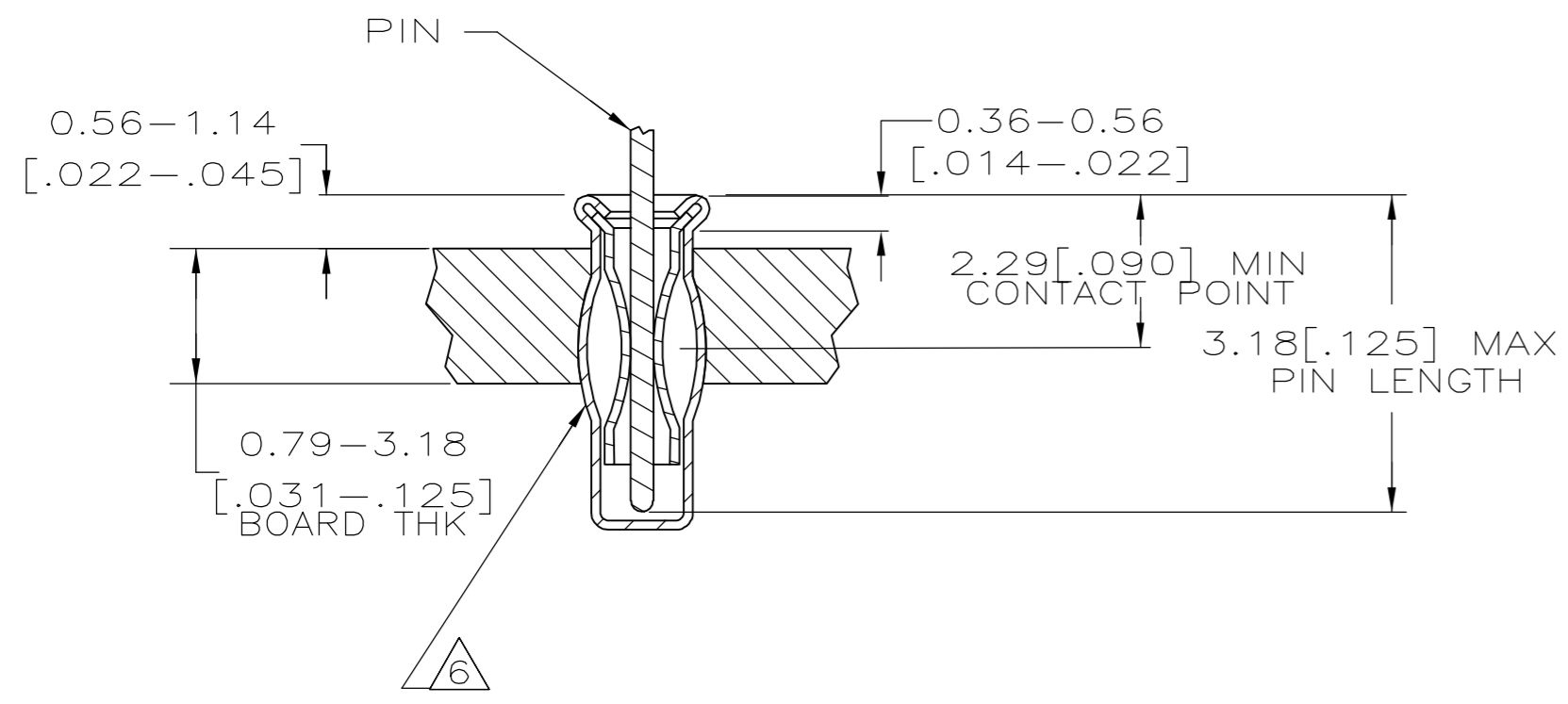
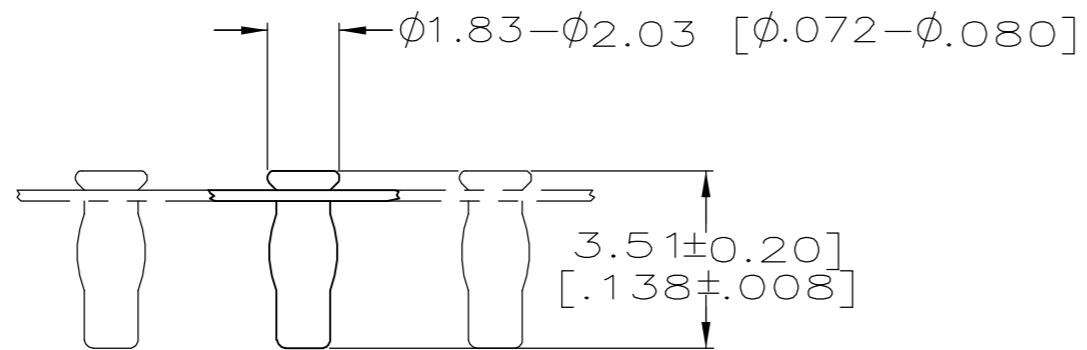
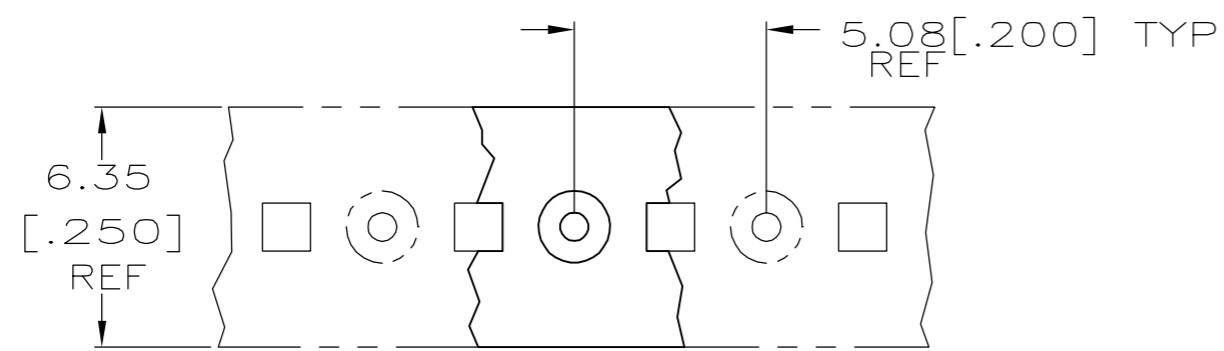
Email & Skype: info@chipsmall.com Web: www.chipsmall.com

Address: A1208, Overseas Decoration Building, #122 Zhenhua RD., Futian, Shenzhen, China



THIS DRAWING IS UNPUBLISHED. RELEASED FOR PUBLICATION
 © COPYRIGHT BY TYCO ELECTRONICS CORPORATION. ALL RIGHTS RESERVED.

LOC		DIST		REVISIONS			
AG	53	P	LTR	DESCRIPTION	DATE	DWN	APVD
		0		RELEASED	26JAN06	JDP	JGH



- 1 MATERIAL:
EYELET - COPPER PER ASTM B 152
SPRING - BERYLLIUM COPPER PER ASTM B 194
- 2 TIN PLATE PER ASTM B 545, 0.00254[.000100] MINIMUM THICK.
- 3 GOLD PLATE PER ASTM B 488, 0.00076[.000030] MINIMUM THICK.
- 4 PACKAGED 50,000 PER REEL.
- 5 TO INSURE 1/2 OZ MIN RETENTION DO NOT EXCEED 0.05[.002] DIFFERENCE IN PIN DIAMETER WHEN CHANGING TO A SMALLER DIAMETER PIN.
- 6 PRODUCT IS OVALIZED FOR RETENTION IN THE P.C. BOARD. THE RECOMMENDED HOLE DIAMETER IS $\phi 1.57[\phi 0.62]$ MINIMUM, $+0.08[.003]$ MAX. PRIOR TO SOLDERING.

OPEN	4	2.29-3.18 [.090-.125]	$\phi 0.66-\phi 0.74$ [$\phi 0.026-\phi 0.029$]	GOLD 3	TIN 2	5645521-3
CLOSED	4	2.29-3.18 [.090-.125]	$\phi 0.66-\phi 0.74$ [$\phi 0.026-\phi 0.029$]	GOLD 3	TIN 2	5645521-1
EYELET TYPE	PACKAGING	LENGTH	DIAMETER 5	SPRING	EYELET	PART NUMBER
THIS DRAWING IS A CONTROLLED DOCUMENT.		DWN J. POLIGNONE 26JAN06 CHK J. HAVENER 26JAN06 APVD J. HAVENER 26JAN06		Tyco Electronics Corporation Harrisburg, PA 17105-3608		
DIMENSIONS: mm [INCHES]		TOLERANCES UNLESS OTHERWISE SPECIFIED:		NAME MINATURE SPRING SOCKET ASSEMBLY, SERIES 3		
0 PLC ± - 1 PLC ± - 2 PLC ± - 3 PLC ± 0.13[.005] 4 PLC ± -		ANGLES ± - FINISH 2 3		PRODUCT SPEC 108-14008 APPLICATION SPEC 114-26004		SIZE A2
MATERIAL 1		WEIGHT -		CAGE CODE 00779	DRAWING NO C=5645521	RESTRICTED TO -
CUSTOMER DRAWING				SCALE 10:1	SHEET 1 of 1	REV 0

5645521