



Chipsmall Limited consists of a professional team with an average of over 10 year of expertise in the distribution of electronic components. Based in Hongkong, we have already established firm and mutual-benefit business relationships with customers from,Europe,America and south Asia,supplying obsolete and hard-to-find components to meet their specific needs.

With the principle of “Quality Parts,Customers Priority,Honest Operation,and Considerate Service”,our business mainly focus on the distribution of electronic components. Line cards we deal with include Microchip,ALPS,ROHM,Xilinx,Pulse,ON,Everlight and Freescale. Main products comprise IC,Modules,Potentiometer,IC Socket,Relay,Connector.Our parts cover such applications as commercial,industrial, and automotives areas.

We are looking forward to setting up business relationship with you and hope to provide you with the best service and solution. Let us make a better world for our industry!



## Contact us

Tel: +86-755-8981 8866 Fax: +86-755-8427 6832

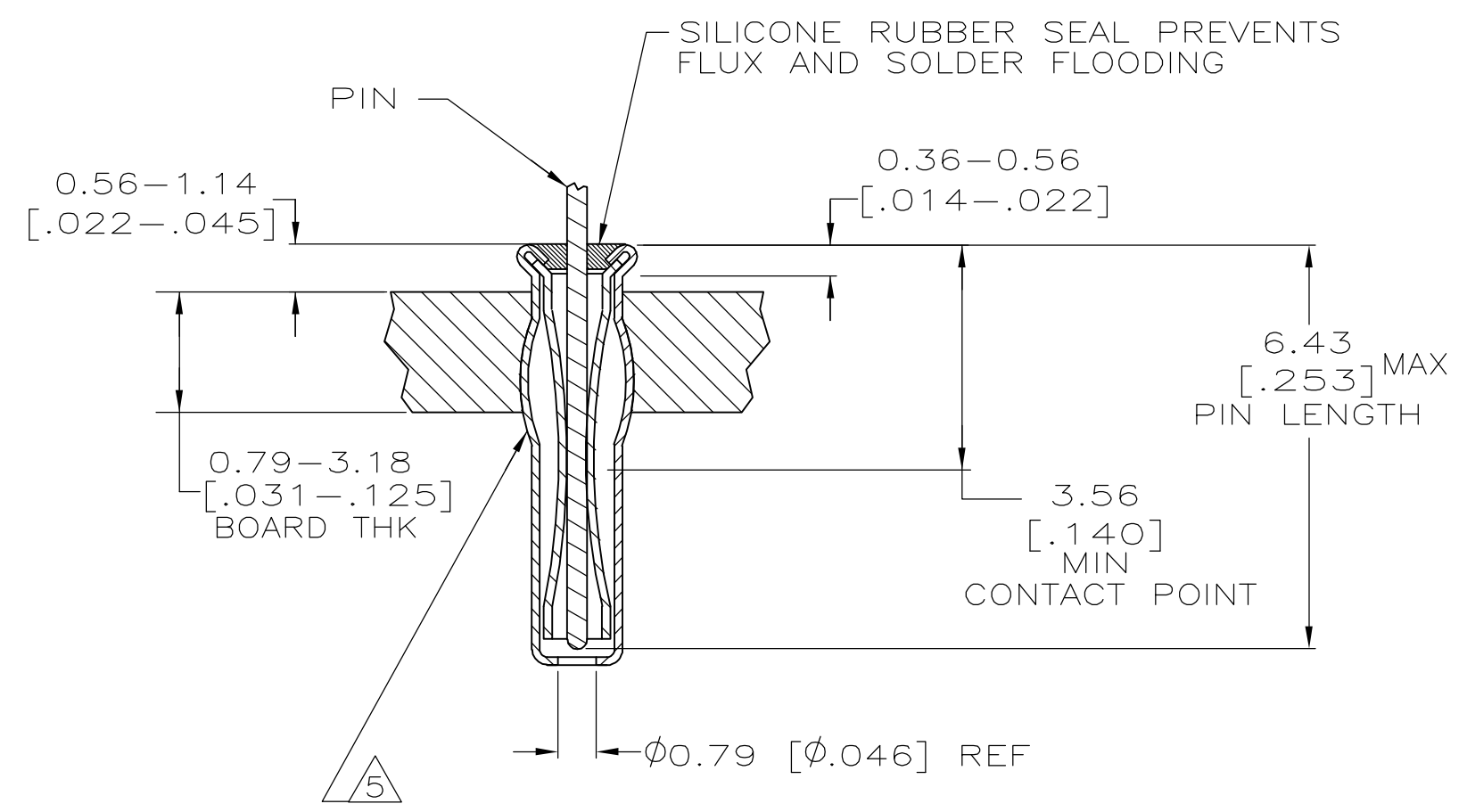
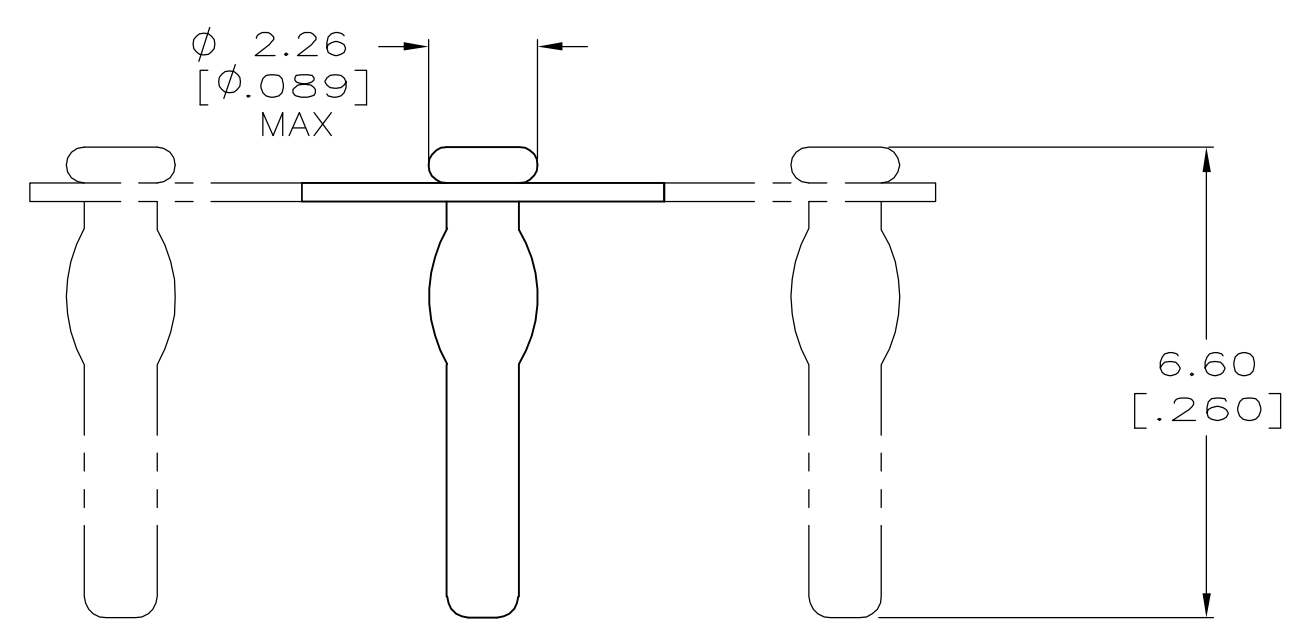
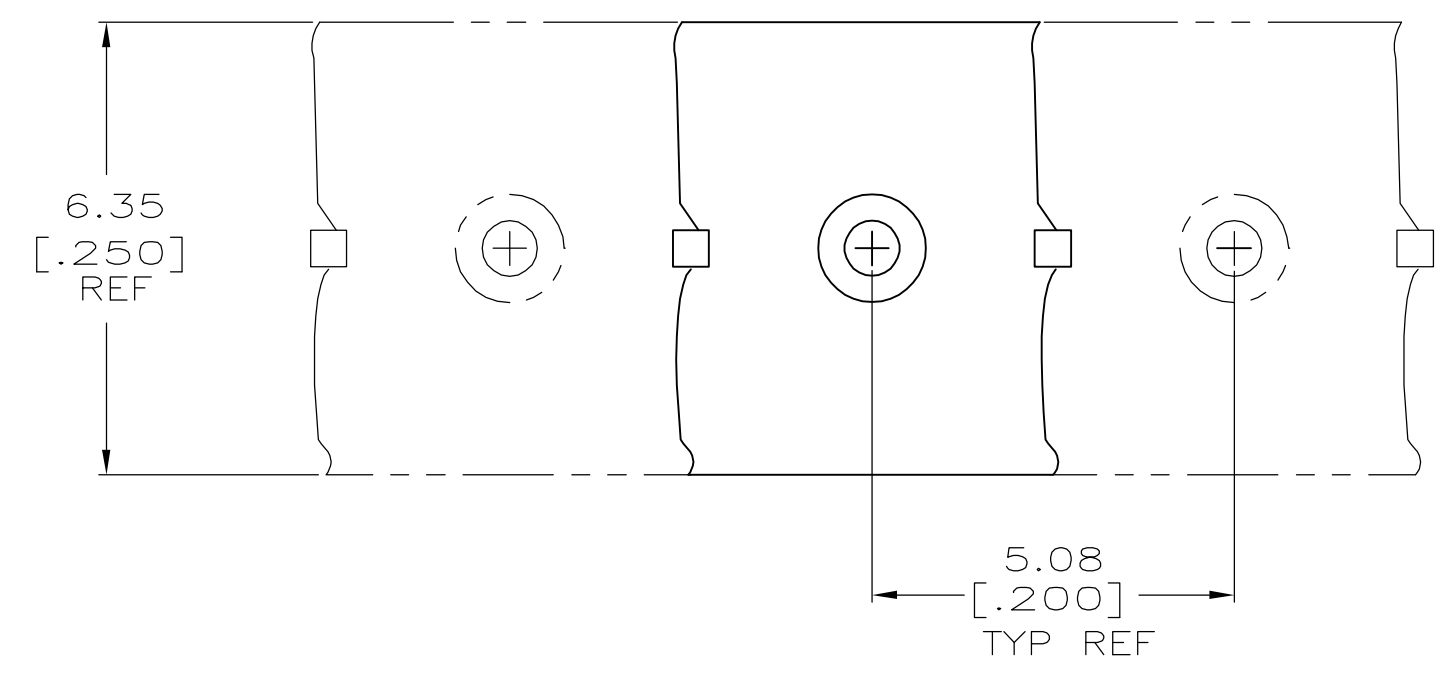
Email & Skype: info@chipsmall.com Web: www.chipsmall.com

Address: A1208, Overseas Decoration Building, #122 Zhenhua RD., Futian, Shenzhen, China



THIS DRAWING IS UNPUBLISHED. RELEASED FOR PUBLICATION  
 © COPYRIGHT BY TYCO ELECTRONICS CORPORATION. ALL RIGHTS RESERVED.

LOC	DIST	REVISIONS					
GP	00	P	LTR	DESCRIPTION	DATE	DWN	APVD
		0		RELEASED PER EC OS11-0045-05	15DEC05	BM	JGH



- 1 MATERIAL:  
EYELET- COPPER PER ASTM B 152  
SPRING- BERYLLIUM COPPER PER ASTM B 194.  
SEALANT- SILICONE RUBBER
- 2 TIN PER ASTM B 545, 0.00254 [.000100] MIN THICK.
- 3. PACKAGE 10,000 PER REEL.
- 4 TO ENSURE 1/2 OZ MIN RETENTION, DO NOT EXCEED 0.05 [.002] DIFFERENCE IN PIN DIA WHEN CHANGING TO A SMALLER DIA PIN.
- 5 PRODUCT IS OVALIZED FOR RETENTION IN THE P.C. BOARD. THE RECOMMENDED HOLE DIAMETER IS  $\phi$ 1.80 [ $\phi$ .071] MINIMUM, +0.08 [.003] MAX. PRIOR TO SOLDERING.

$\phi$ 0.86-1.04 [.034-.041]	2	2	5645522-1
4 PIN DIAMETER	SPRING FINISH	EYELET FINISH	PART NUMBER

THIS DRAWING IS A CONTROLLED DOCUMENT.		DWN B. MCMASTER 15DEC05	Tyco Electronics Corporation Harrisburg, PA 17105-3608	
DIMENSIONS: mm [INCHES]		CHK J. HAVENER 15DEC05	APVD J. HAVENER 15DEC05	
TOLERANCES UNLESS OTHERWISE SPECIFIED:		NAME MINIATURE SPRING SOCKET ASSEMBLY, SERIES 4		
0 PLC ± -	1 PLC ± -	PRODUCT SPEC 108-14008		
2 PLC ± -	3 PLC ± 0.20 [.008]	APPLICATION SPEC 114-26004		
4 PLC ± -	ANGLES ± -	SIZE CAGE CODE DRAWING NO A2 00779 C-5645522		
MATERIAL 1	FINISH SEE TABLE	WEIGHT -		RESTRICTED TO -
CUSTOMER DRAWING		SCALE 10:1		SHEET 1 of 1 REV 0