



Chipsmall Limited consists of a professional team with an average of over 10 year of expertise in the distribution of electronic components. Based in Hongkong, we have already established firm and mutual-benefit business relationships with customers from,Europe,America and south Asia,supplying obsolete and hard-to-find components to meet their specific needs.

With the principle of “Quality Parts,Customers Priority,Honest Operation,and Considerate Service”,our business mainly focus on the distribution of electronic components. Line cards we deal with include Microchip,ALPS,ROHM,Xilinx,Pulse,ON,Everlight and Freescale. Main products comprise IC,Modules,Potentiometer,IC Socket,Relay,Connector.Our parts cover such applications as commercial,industrial, and automotives areas.

We are looking forward to setting up business relationship with you and hope to provide you with the best service and solution. Let us make a better world for our industry!



Contact us

Tel: +86-755-8981 8866 Fax: +86-755-8427 6832

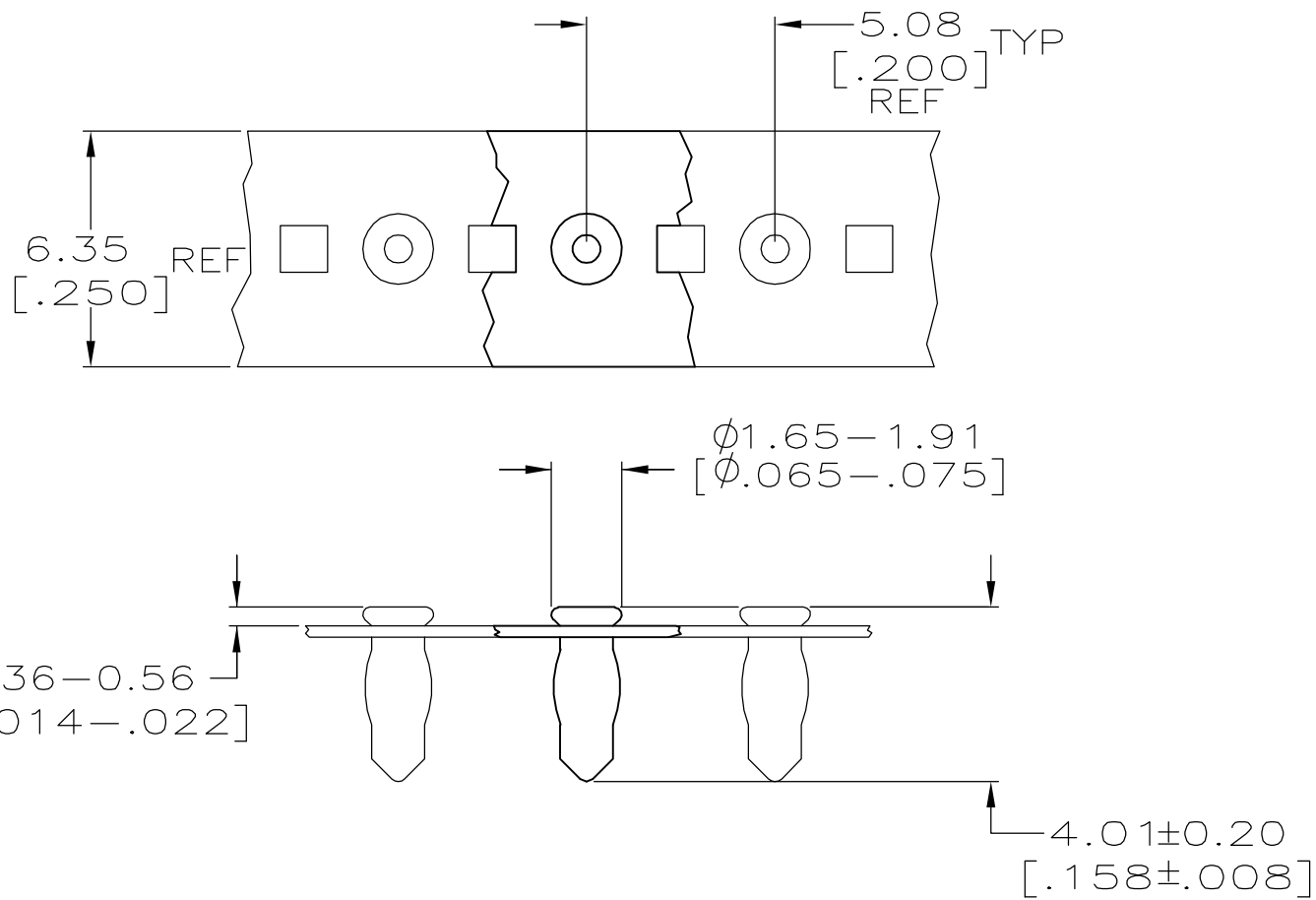
Email & Skype: info@chipsmall.com Web: www.chipsmall.com

Address: A1208, Overseas Decoration Building, #122 Zhenhua RD., Futian, Shenzhen, China

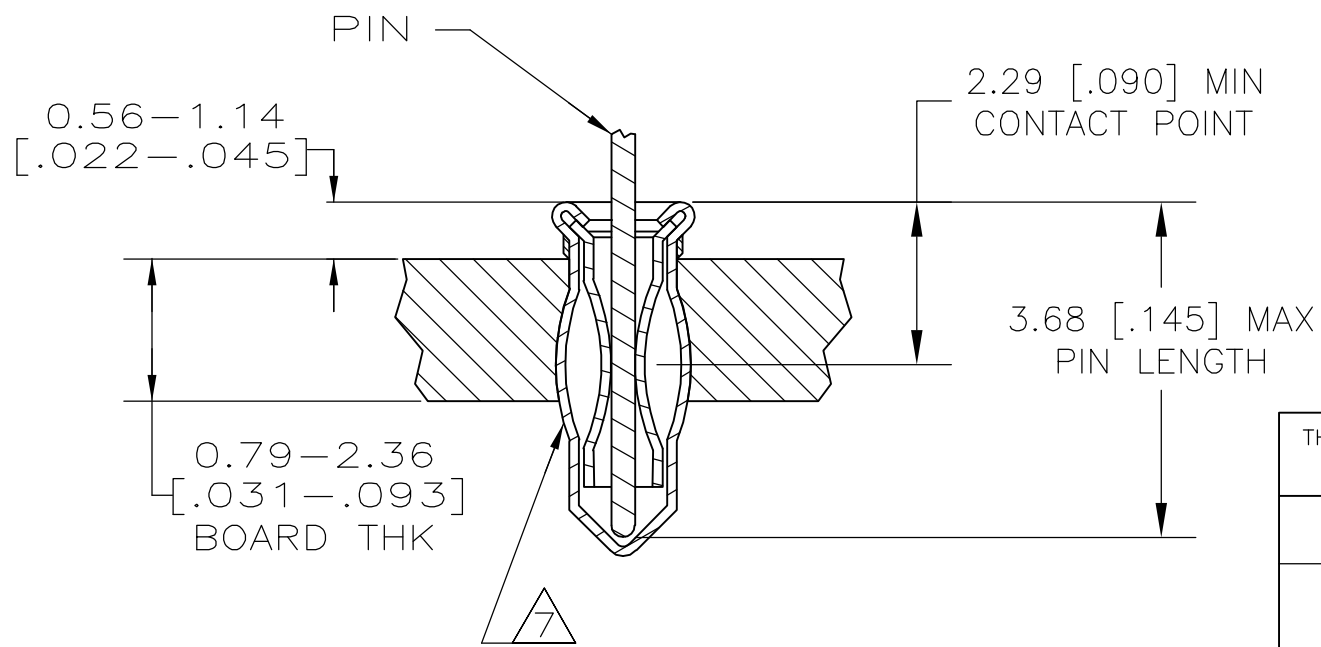


THIS DRAWING IS UNPUBLISHED. RELEASED FOR PUBLICATION
 © COPYRIGHT - BY TYCO ELECTRONICS CORPORATION. ALL RIGHTS RESERVED.

LOC	DIST	REVISIONS					
AG	53	P	LTR	DESCRIPTION	DATE	DWN	APVD
		0		RELEASED.	10OCT2005	JGH	JGH



- ① MATERIAL:
 EYELET - COPPER PER ASTM B 152
 SPRING - BERYLLIUM COPPER PER ASTM B 194
- ② TIN PLATE PER ASTM B 545 0.00381 [.000150] MIN THICK.
- ③ GOLD PLATE PER ASTM B 488 0.00076 [.000030] MIN THICK ON CONTACT AREA.
- ④ PACKAGED 50,000 PER REEL
- 5. TO INSURE 1/2 OZ MIN RETENTION DO NOT EXCEED 0.10 [.004] DIFFERENCE IN PIN DIA WHEN CHANGING TO A SMALLER DIA PIN
- ⑥ PRODUCT IS OVALIZED FOR RETENTION IN THE P.C. BOARD. THE RECOMMENDED HOLE DIAMETER IS $\phi 1.32$ [$\phi 0.052$] MINIMUM, +0.08 [+0.003] MAX. PRIOR TO SOLDERING.



⑤	2.29-3.68 [.090-.145]	0.36-0.56 [.014-.022]	GOLD ③	TIN ②	5645529-1
PACKAGING	LENGTH	DIA ⑥	SPRING	EYELET	PART NO
	PIN		FINISH		

THIS DRAWING IS A CONTROLLED DOCUMENT.		DWN J. HAVENER 10OCT2005	Tyco Electronics Corporation Harrisburg, PA 17105-3608		
DIMENSIONS: INCHES		CHK J. HAVENER 10OCT2005			
TOLERANCES UNLESS OTHERWISE SPECIFIED:		APVD J. HAVENER 10OCT2005	NAME MINIATURE SPRING SOCKET ASSEMBLY ON STRIP (SERIES 2)		
0 PLC ± - 1 PLC ± - 2 PLC ± - 3 PLC ± 0.13 [.005] 4 PLC ± - ± - ANGLES ± -		PRODUCT SPEC 108-14008	SIZE A3		
MATERIAL ①		FINISH SEE TABLE	APPLICATION SPEC 114-26004	CAGE CODE 00779	DRAWING NO C=5645529
CUSTOMER DRAWING			WEIGHT -	RESTRICTED TO -	SCALE 10:1
			SHEET 1 OF 1	REV 0	