



Chipsmall Limited consists of a professional team with an average of over 10 year of expertise in the distribution of electronic components. Based in Hongkong, we have already established firm and mutual-benefit business relationships with customers from,Europe,America and south Asia,supplying obsolete and hard-to-find components to meet their specific needs.

With the principle of “Quality Parts,Customers Priority,Honest Operation,and Considerate Service”,our business mainly focus on the distribution of electronic components. Line cards we deal with include Microchip,ALPS,ROHM,Xilinx,Pulse,ON,Everlight and Freescale. Main products comprise IC,Modules,Potentiometer,IC Socket,Relay,Connector.Our parts cover such applications as commercial,industrial, and automotives areas.

We are looking forward to setting up business relationship with you and hope to provide you with the best service and solution. Let us make a better world for our industry!



## Contact us

Tel: +86-755-8981 8866 Fax: +86-755-8427 6832

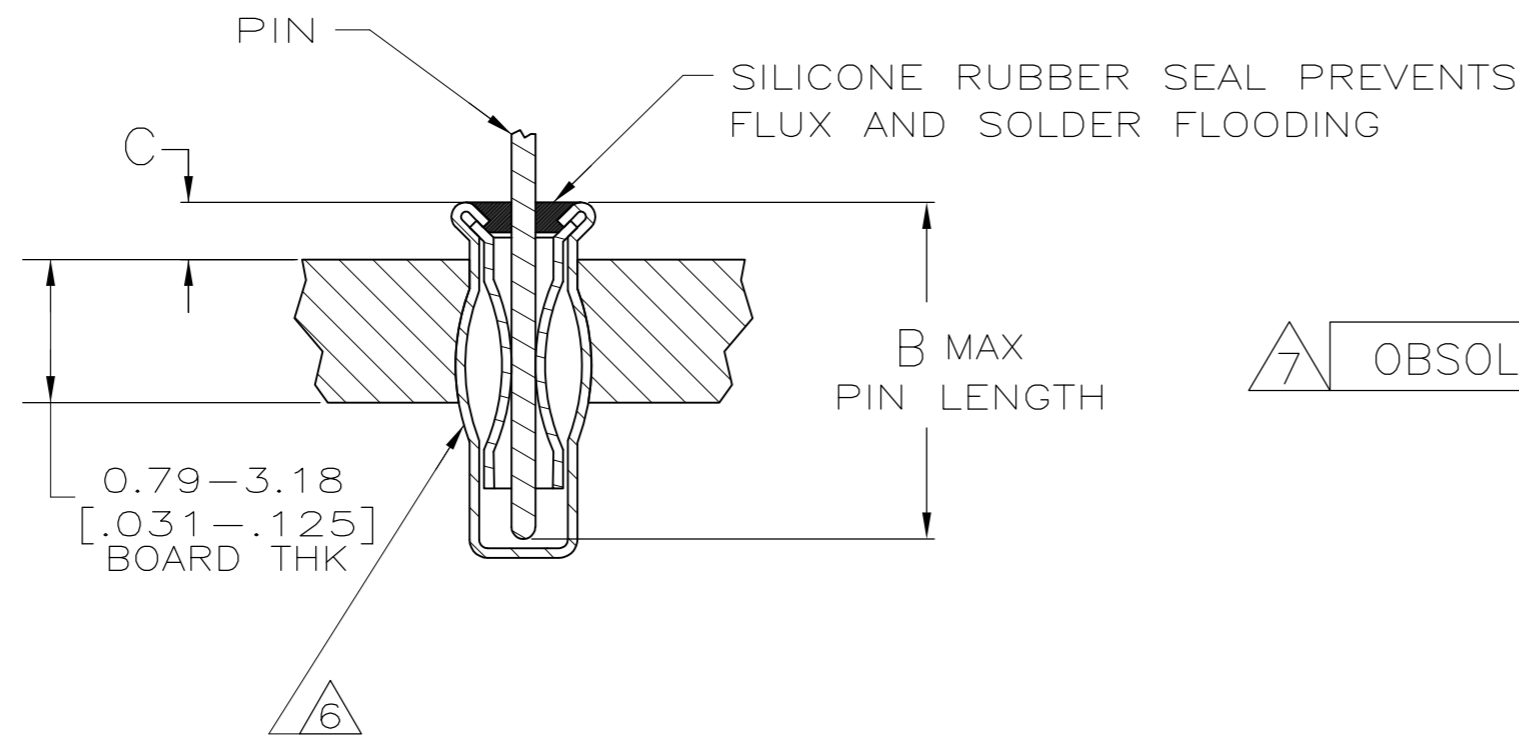
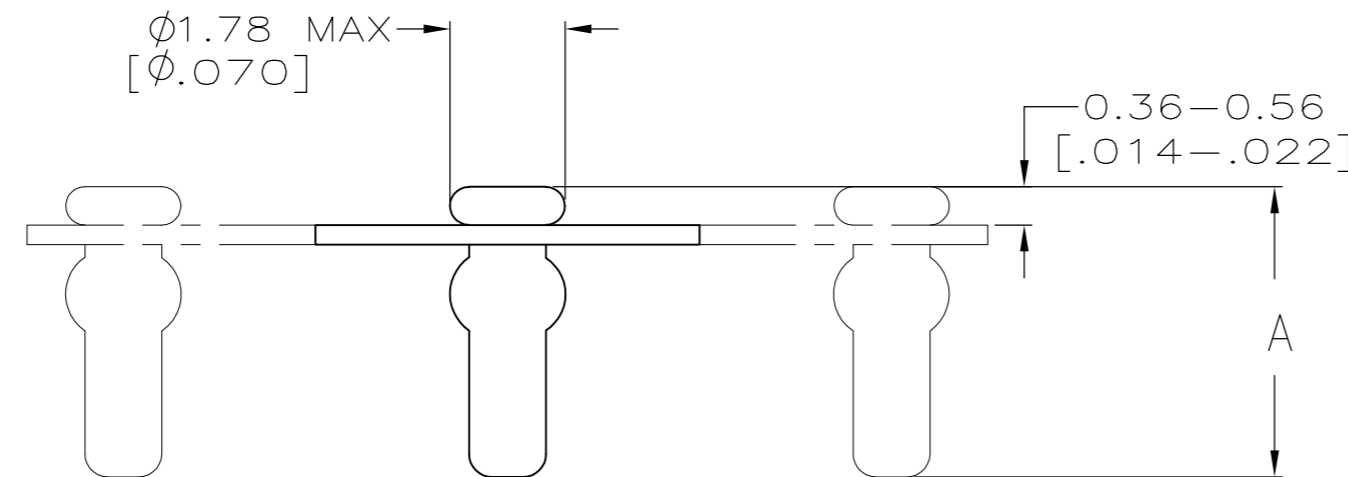
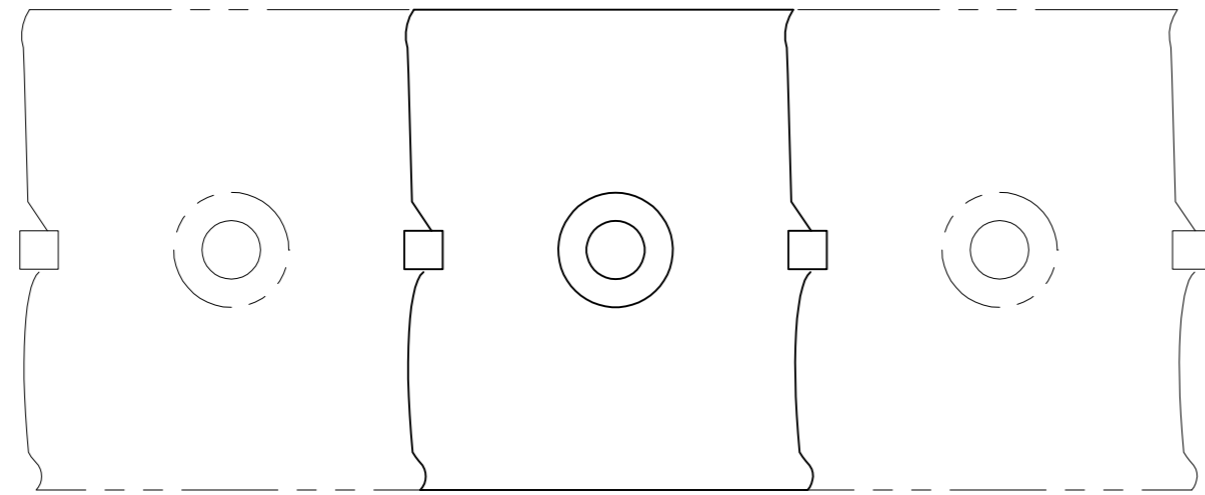
Email & Skype: info@chipsmall.com Web: www.chipsmall.com

Address: A1208, Overseas Decoration Building, #122 Zhenhua RD., Futian, Shenzhen, China



THIS DRAWING IS UNPUBLISHED. RELEASED FOR PUBLICATION  
 © COPYRIGHT BY TYCO ELECTRONICS CORPORATION. ALL RIGHTS RESERVED.

| LOC | DIST | REVISIONS   |                           |         |         |
|-----|------|-------------|---------------------------|---------|---------|
| P   | LTR  | DESCRIPTION | DATE                      | DWN     | APVD    |
| AG  | 53   | 0           | RELEASED                  | 26JAN06 | JDP JGH |
|     |      | 01          | REVISED PER ECO-09-024606 | 03NOV09 | KK AEG  |



- 1 MATERIAL:  
 EYELET- COPPER PER ASTM B 152  
 SPRING- BERYLLIUM-COPPER PER ASTM B 194  
 SEALANT- SILICONE RUBBER, RTV 738.
- 2 TIN PLATE PER ASTM B 545, 0.00254 [.000100] MINIMUM THICKNESS.
- 3 GOLD PLATE PER ASTM B 488, 0.00076 [.000030] MINIMUM THICKNESS.
- 4. PACKAGE 50,000 PER REEL.
- 5 TO ENSURE 1/2 OZ MIN RETENTION, DO NOT EXCEED 0.05 [.002] DIFFERENCE IN PIN DIA WHEN CHANGING TO A SMALLER DIA PIN.
- 6 PRODUCT IS OVALIZED FOR RETENTION IN THE P.C. BOARD. THE RECOMMENDED HOLE DIAMETER IS Ø1.32 [Ø.052] MINIMUM, +0.08 [.003] MAX. PRIOR TO SOLDERING.
- 7 OBSOLETE PARTS: OBSOLETE CIS STREAMLINING PER D.RENAUD/D.SINISI

|   |          |             |        |        |               |   |   |            |
|---|----------|-------------|--------|--------|---------------|---|---|------------|
| 7 | OBSOLETE | .056-1.14   | 3.40   | 3.51   | Ø0.56-Ø0.64   | 3 | 2 | 5645899-8- |
|   |          | [.022-.045] | [.134] | [.138] | [Ø.022-Ø.025] | 3 | 2 | 5645899-5  |
|   |          | .056-2.54   | 6.50   | 6.60   | Ø0.46-Ø0.64   | 3 | 2 |            |
|   |          | [.022-.100] | [.256] | [.260] | [Ø.018-Ø.025] |   |   |            |
|   |          | C DIM       | B DIM  | A DIM  | PIN DIA       | 5 |   | PART NO    |

|  |   |                  |              |               |   |
|--|---|------------------|--------------|---------------|---|
| THIS DRAWING IS A CONTROLLED DOCUMENT.   |   | DWN              | J. POLIGNONE | 26JAN06       | Tyco Electronics Corporation<br>Harrisburg, PA 17105-3608 |
| DIMENSIONS: mm [INCHES]  |   | CHK              | J. HAVENER   | 26JAN06       |   |
| TOLERANCES UNLESS OTHERWISE SPECIFIED:   |   | APVD             | J. HAVENER   | 26JAN06       |   |
| 0 PLC ± -<br>1 PLC ± -<br>2 PLC ± -<br>3 PLC ± 0.20[.008]<br>4 PLC ± -<br>ANGLES ± -<br>FINISH SEE TABLE |   | PRODUCT SPEC     | 108-14008    | NAME          |   |
| MATERIAL   | 1 | APPLICATION SPEC | 114-26004    | SIZE          | A2  |
|  |   | WEIGHT           | -            | CAGE CODE     | 00779   |
|  |   | CUSTOMER DRAWING |              | DRAWING NO    | C=5645899   |
|  |   | SCALE            | 10:1         | SHEET         | 1 of 1  |
|  |   | REV              | 01           | RESTRICTED TO | -   |