



Chipsmall Limited consists of a professional team with an average of over 10 year of expertise in the distribution of electronic components. Based in Hongkong, we have already established firm and mutual-benefit business relationships with customers from,Europe,America and south Asia,supplying obsolete and hard-to-find components to meet their specific needs.

With the principle of “Quality Parts,Customers Priority,Honest Operation,and Considerate Service”,our business mainly focus on the distribution of electronic components. Line cards we deal with include Microchip,ALPS,ROHM,Xilinx,Pulse,ON,Everlight and Freescale. Main products comprise IC,Modules,Potentiometer,IC Socket,Relay,Connector.Our parts cover such applications as commercial,industrial, and automotives areas.

We are looking forward to setting up business relationship with you and hope to provide you with the best service and solution. Let us make a better world for our industry!



Contact us

Tel: +86-755-8981 8866 Fax: +86-755-8427 6832

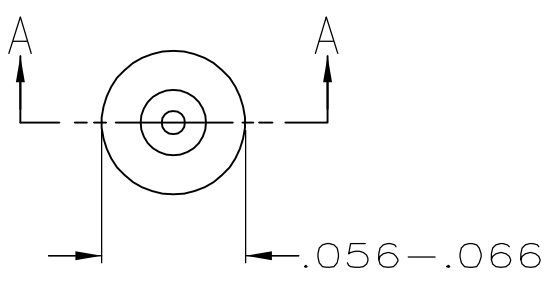
Email & Skype: info@chipsmall.com Web: www.chipsmall.com

Address: A1208, Overseas Decoration Building, #122 Zhenhua RD., Futian, Shenzhen, China

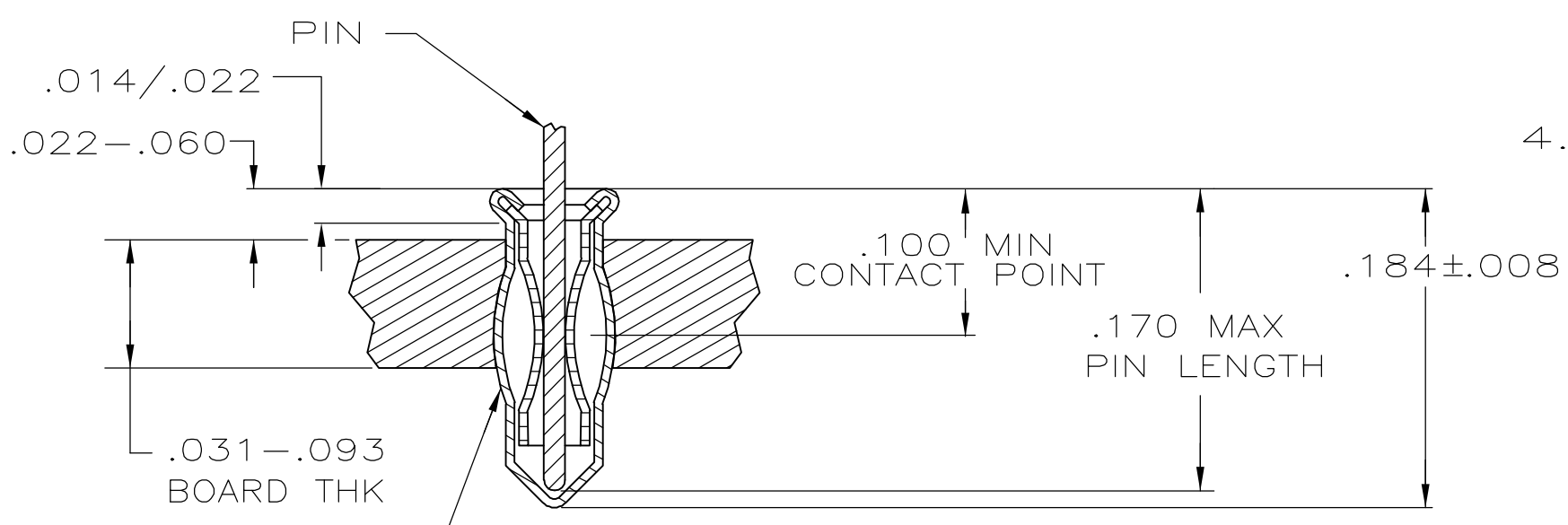


THIS DRAWING IS UNPUBLISHED. RELEASED FOR PUBLICATION
 © COPYRIGHT - BY TYCO ELECTRONICS CORPORATION. ALL RIGHTS RESERVED.

LOC	DIST	REVISIONS			
P	LTR	DESCRIPTION	DATE	DWN	APVD
AG	53	A	REVISED PER ECO-06-001742	31JAN06	JDP JGH



- MATERIAL:
EYELET: COPPER PER ASTM B 152
SPRING: BERYLLIUM COPPER PER ASTM B 194
- PLATING:
EYELET: TIN PLATE PER ASTM B 545
.000100 MIN THICK
SPRING: GOLD PLATE PER ASTM B 488
.000030 MIN THICK OVER NICKEL PLATE
PER QQ-N-290 ON CONTACT AREA.
- TO INSURE 1/2 OZ MIN RETENTION DO NOT EXCEED .004 DIFFERENCE IN PIN DIA WHEN CHANGING TO A SMALLER DIA PIN
- HOLE SIZE FOR HAND INSERTION 0.043-0.046



INSERTION MACHINE CAPABLE OF OVALIZING SOCKET FOR RETENTION IN PC BOARD WITH .042±.003 DIA HOLE PRIOR TO SOLDERING OPERATION

SECTION A-A

.100/.170	.012/.021	GOLD	TIN	5645946-2
LENGTH	DIA	SPRING	EYELET	PART NO
PIN		FINISH		
NO. 1 SERIES LONG				

THIS DRAWING IS A CONTROLLED DOCUMENT.		DWN G. ATTADIA - 20APR2005 DOCK5	Tyco Electronics Corporation Harrisburg, PA 17105-3608													
DIMENSIONS: INCHES		CHK J. HAVENER 20APR2005	NAME MINIATURE SPRING SOCKET ASSEMBLY													
TOLERANCES UNLESS OTHERWISE SPECIFIED:		APVD J. HAVENER 20APR2005	PRODUCT SPEC 108-14008													
<table border="0"> <tr><td>0 PLC</td><td>± -</td></tr> <tr><td>1 PLC</td><td>± -</td></tr> <tr><td>2 PLC</td><td>± -</td></tr> <tr><td>3 PLC</td><td>± -</td></tr> <tr><td>4 PLC</td><td>± -</td></tr> <tr><td>ANGLES</td><td>± -</td></tr> </table>		0 PLC	± -	1 PLC	± -	2 PLC	± -	3 PLC	± -	4 PLC	± -	ANGLES	± -	APPLICATION SPEC 114-13152	SIZE A3	CAGE CODE 00779
0 PLC	± -															
1 PLC	± -															
2 PLC	± -															
3 PLC	± -															
4 PLC	± -															
ANGLES	± -															
MATERIAL NOTE 1	FINISH NOTE 2	WEIGHT -	DRAWING NO C=5645946	RESTRICTED TO -												
CUSTOMER DRAWING			SCALE NTS	SHEET 1 OF 1												