



Chipsmall Limited consists of a professional team with an average of over 10 year of expertise in the distribution of electronic components. Based in Hongkong, we have already established firm and mutual-benefit business relationships with customers from,Europe,America and south Asia,supplying obsolete and hard-to-find components to meet their specific needs.

With the principle of “Quality Parts,Customers Priority,Honest Operation,and Considerate Service”,our business mainly focus on the distribution of electronic components. Line cards we deal with include Microchip,ALPS,ROHM,Xilinx,Pulse,ON,Everlight and Freescale. Main products comprise IC,Modules,Potentiometer,IC Socket,Relay,Connector.Our parts cover such applications as commercial,industrial, and automotives areas.

We are looking forward to setting up business relationship with you and hope to provide you with the best service and solution. Let us make a better world for our industry!



Contact us

Tel: +86-755-8981 8866 Fax: +86-755-8427 6832

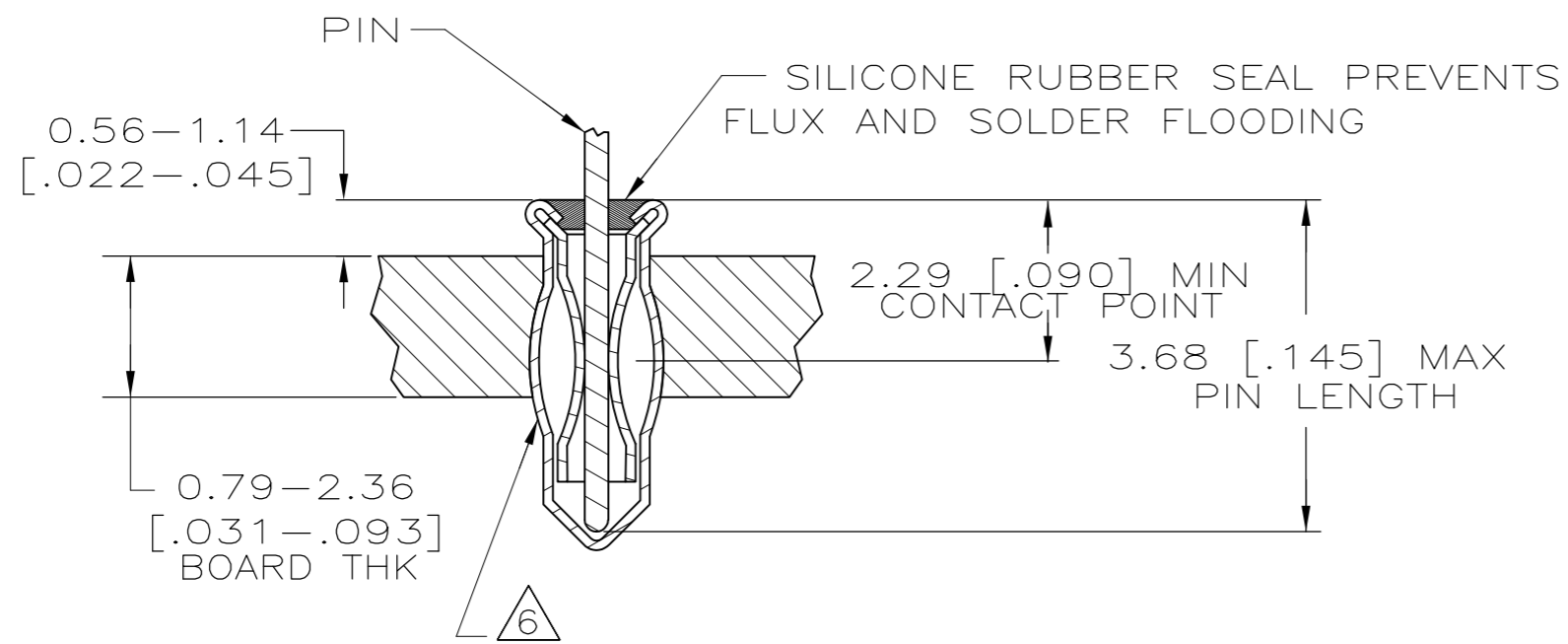
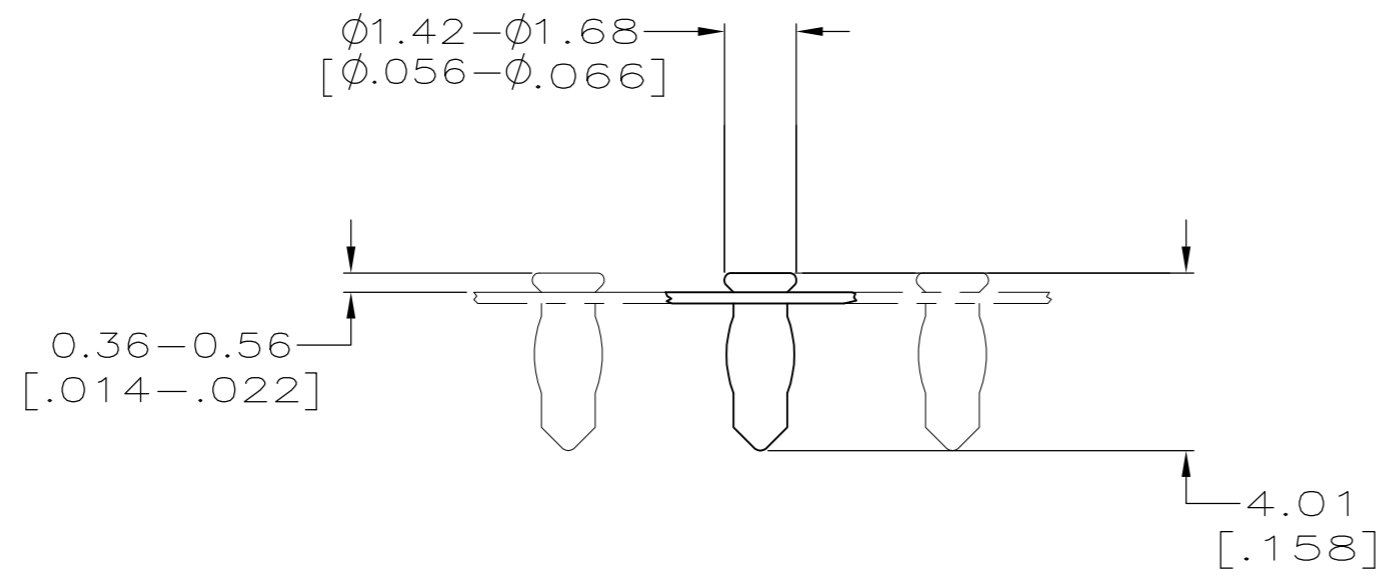
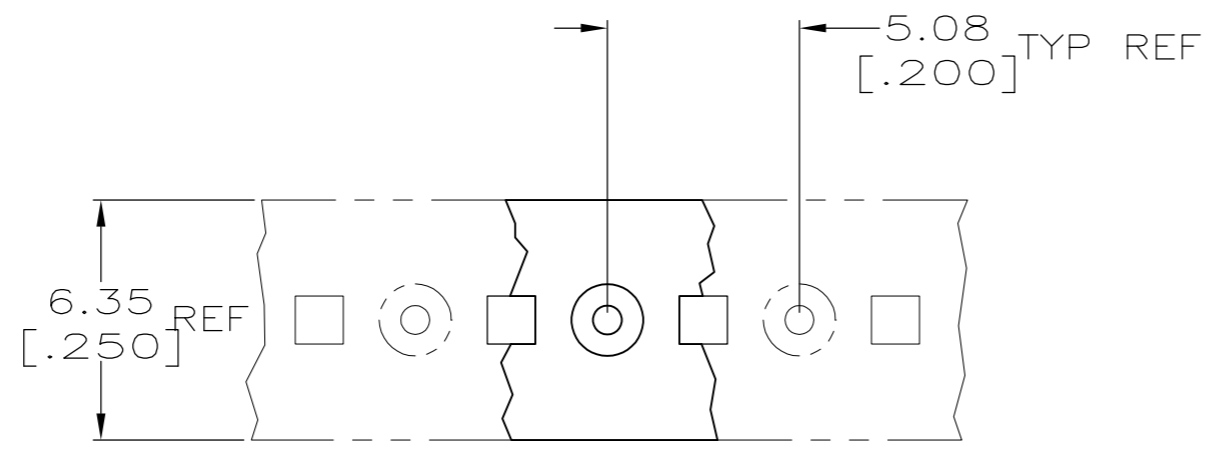
Email & Skype: info@chipsmall.com Web: www.chipsmall.com

Address: A1208, Overseas Decoration Building, #122 Zhenhua RD., Futian, Shenzhen, China



THIS DRAWING IS UNPUBLISHED. RELEASED FOR PUBLICATION
 © COPYRIGHT BY TYCO ELECTRONICS CORPORATION. ALL RIGHTS RESERVED.

LOC	DIST	REVISIONS					
		P	LTR	DESCRIPTION	DATE	DWN	APVD
AG	53	0		RELEASED	26JAN06	JDP	JGH
		01		REV PER ECO-09-024606	03NOV09	KK	AEG



- 1 MATERIAL:
EYELET - COPPER PER ASTM B 152
SPRING - BERYLLIUM COPPER PER ASTM B 194
SEALANT - SILICONE RUBBER
- 2 TIN PLATE PER ASTM B 545, [.000100] MIN THK.
- 3 GOLD PLATE PER ASTM B 488, 0.00076 [.000030] MIN THK ON CONTACT AREA.
- 4 PACKAGED 50,000 PER REEL
- 5 TO INSURE 1/2 OZ MIN RETENTION DO NOT EXCEED 0.10 [.004] DIFFERENCE IN PIN DIA WHEN CHANGING TO A SMALLER DIA PIN
- 6 PRODUCT IS OVALIZED FOR RETENTION IN THE P.C. BOARD. THE RECOMMENDED HOLE DIAMETER IS $\phi 1.07$ [$\phi 0.42$] MINIMUM, +0.08 [.003] MAX. PRIOR TO SOLDERING.
- 7 PACKAGED 10,000 PER REEL
- 8 OBSOLETE PARTS: OBSOLETE CIS STREAMLINING PER D.RENAUD/D.SINISI

8 OBSOLETE	2.29-3.68 [.090-.145]	$\phi 0.30-\phi 0.46$ [$\phi 0.12-\phi 0.18$]	GOLD 3	TIN 2	7 1-5645947-5	
	2.29-3.68 [.090-.145]	$\phi 0.38-\phi 0.53$ [$\phi 0.15-\phi 0.21$]	GOLD 3	TIN 2	7 1-5645947-2	
	2.29-3.68 [.090-.145]	$\phi 0.38-\phi 0.53$ [$\phi 0.15-\phi 0.21$]	GOLD 3	TIN 2	4 5645947-2	
	2.29-3.68 [.090-.145]	$\phi 0.38-\phi 0.53$ [$\phi 0.15-\phi 0.21$]	TIN 2	TIN 2	4 5645947-1	
	LENGTH	DIA	5	SPRING	EYELET	PART NO

THIS DRAWING IS A CONTROLLED DOCUMENT.		DWN J. POLIGNONE 26JAN06	Tyco Electronics Corporation AMP Incorporated Harrisburg, PA 17105-3608			
DIMENSIONS: mm [INCHES]		CHK J. HAVENER 26JAN06	NAME MINIATURE SPRING SOCKET ASSY SERIES 1 SHORT WITH SEALANT			
TOLERANCES UNLESS OTHERWISE SPECIFIED: 0 PLC ± - 1 PLC ± - 2 PLC ± - 3 PLC ± 0.20[.008] 4 PLC ± - ANGLES ± -		APVD J. HAVENER 26JAN06	PRODUCT SPEC 108-14008		SIZE A2	CAGE CODE 00779
MATERIAL 1		FINISH SEE TABLE	APPLICATION SPEC 114-26004		DRAWING NO C=5645947	RESTRICTED TO -
CUSTOMER DRAWING			WEIGHT -	SCALE 10:1	SHEET 1 of 1	REV 01