



Chipsmall Limited consists of a professional team with an average of over 10 year of expertise in the distribution of electronic components. Based in Hongkong, we have already established firm and mutual-benefit business relationships with customers from,Europe,America and south Asia,supplying obsolete and hard-to-find components to meet their specific needs.

With the principle of "Quality Parts,Customers Priority,Honest Operation,and Considerate Service",our business mainly focus on the distribution of electronic components. Line cards we deal with include Microchip,ALPS,ROHM,Xilinx,Pulse,ON,Everlight and Freescale. Main products comprise IC,Modules,Potentiometer,IC Socket,Relay,Connector.Our parts cover such applications as commercial,industrial, and automotives areas.

We are looking forward to setting up business relationship with you and hope to provide you with the best service and solution. Let us make a better world for our industry!



Contact us

Tel: +86-755-8981 8866 Fax: +86-755-8427 6832

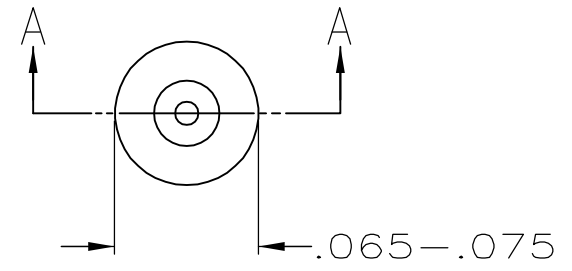
Email & Skype: info@chipsmall.com Web: www.chipsmall.com

Address: A1208, Overseas Decoration Building, #122 Zhenhua RD., Futian, Shenzhen, China

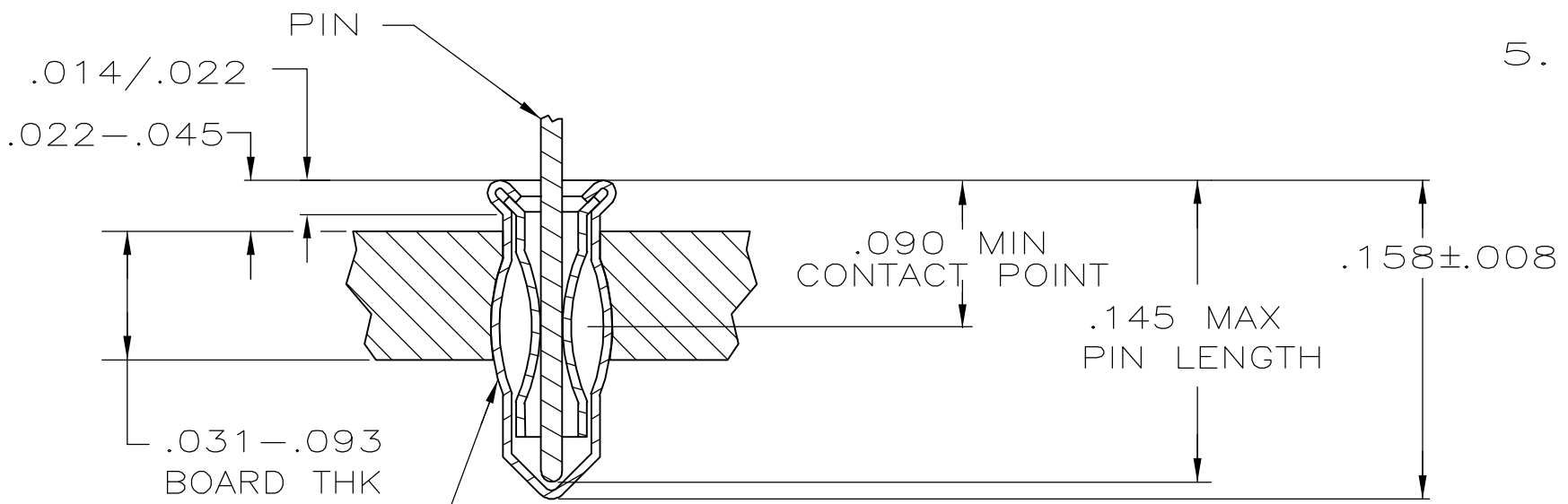


THIS DRAWING IS UNPUBLISHED. RELEASED FOR PUBLICATION
 © COPYRIGHT - BY TYCO ELECTRONICS CORPORATION. ALL RIGHTS RESERVED.

LOC	DIST	REVISIONS					
AG	53	P	LTR	DESCRIPTION	DATE	DWN	APVD
			A	REVISED PER ECO-06-001742	31JAN06	JDP	JGH



1. MATERIAL:
 EYELET - COPPER PER ASTM B 152
 SPRING - BERYLLIUM COPPER PER ASTM B 194
2. TIN PLATE PER ASTM B 545 .000100 MIN THICK.
3. GOLD PLATE PER ASTM B 488 .000030 MIN THICK OVER NICKEL PER QQ-N-290 ON CONTACT AREA.
4. TO INSURE 1/2 OZ MIN RETENTION DO NOT EXCEED .004 DIFFERENCE IN PIN DIA WHEN CHANGING TO A SMALLER DIA PIN
5. HOLE SIZE FOR HAND INSERTION .053-.055



INSERTION MACHINE CAPABLE OF OVALIZING SOCKET FOR RETENTION IN PC BOARD WITH .052±.003 DIA HOLE PRIOR TO SOLDERING OPERATION

SECTION A-A

.090/.145	.014/.022	GOLD 3	TIN 2	5645951-5
	.020/.026	TIN 2		5645951-2
LENGTH	DIA 4	SPRING	EYELET	5645951-1
PIN		FINISH		PART NO

THIS DRAWING IS A CONTROLLED DOCUMENT.		DWN L. VARELA - DOCK5 19APR2005	Tyco Electronics Corporation Harrisburg, PA 17105-3608	
DIMENSIONS: INCHES	TOLERANCES UNLESS OTHERWISE SPECIFIED:	CHK J. HAVENER 19APR2005	NAME MINIATURE SPRING SOCKET ASSEMBLY SERIES 2 SHORT	
	0 PLC ± -	APVD J. HAVENER 19APR2005	PRODUCT SPEC 108-14008	
	1 PLC ± -		APPLICATION SPEC 114-13152	
	2 PLC ± -		SIZE A3	CAGE CODE 00779
	3 PLC ± -		DRAWING NO C=5645951	RESTRICTED TO -
	4 PLC ± -		SCALE NTS	
MATERIAL NOTE 1	FINISH SEE TABLE	WEIGHT -		SHEET 1 OF 1
CUSTOMER DRAWING			REV A	