



Chipsmall Limited consists of a professional team with an average of over 10 year of expertise in the distribution of electronic components. Based in Hongkong, we have already established firm and mutual-benefit business relationships with customers from,Europe,America and south Asia,supplying obsolete and hard-to-find components to meet their specific needs.

With the principle of “Quality Parts,Customers Priority,Honest Operation,and Considerate Service”,our business mainly focus on the distribution of electronic components. Line cards we deal with include Microchip,ALPS,ROHM,Xilinx,Pulse,ON,Everlight and Freescale. Main products comprise IC,Modules,Potentiometer,IC Socket,Relay,Connector.Our parts cover such applications as commercial,industrial, and automotives areas.

We are looking forward to setting up business relationship with you and hope to provide you with the best service and solution. Let us make a better world for our industry!



Contact us

Tel: +86-755-8981 8866 Fax: +86-755-8427 6832

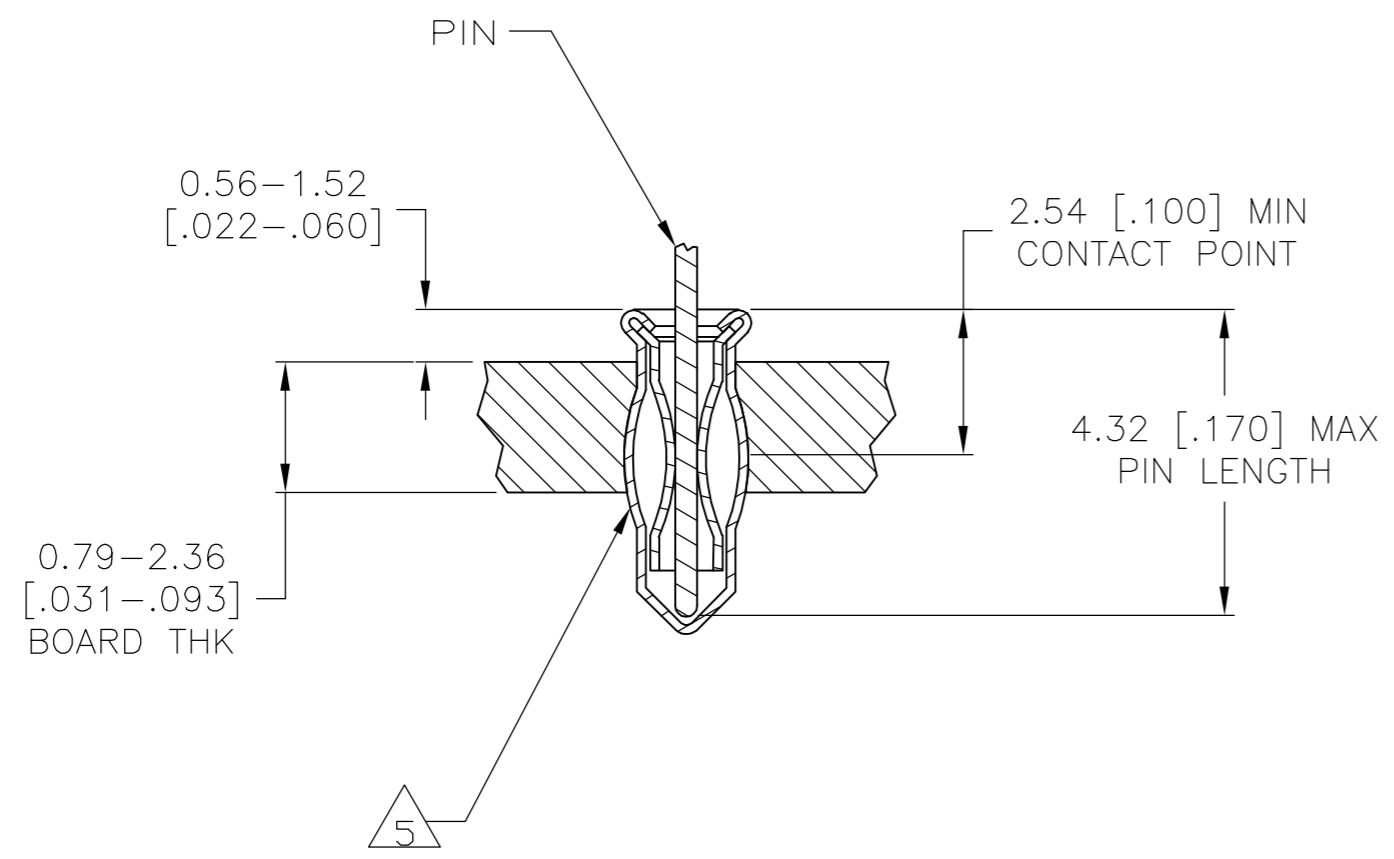
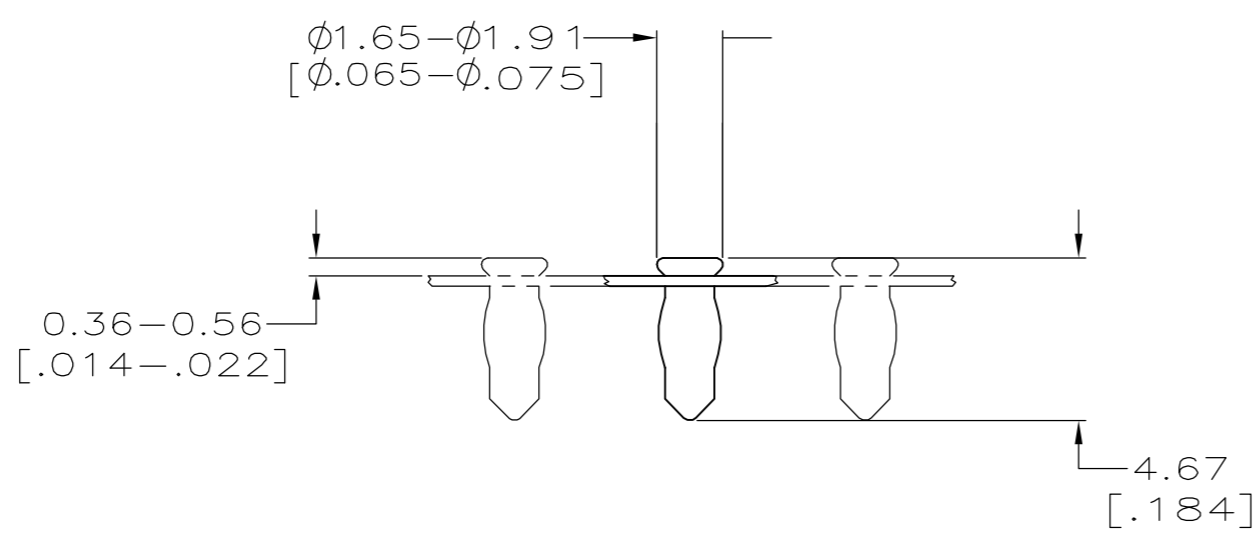
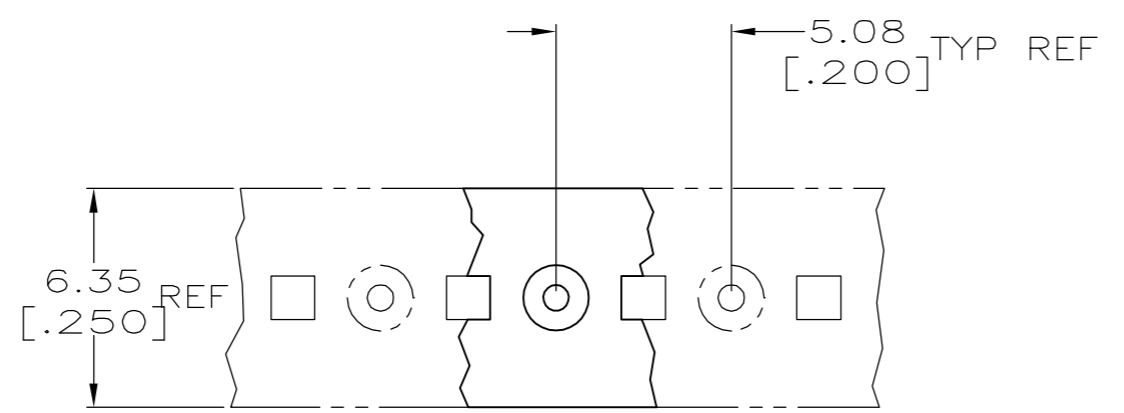
Email & Skype: info@chipsmall.com Web: www.chipsmall.com

Address: A1208, Overseas Decoration Building, #122 Zhenhua RD., Futian, Shenzhen, China



THIS DRAWING IS UNPUBLISHED. RELEASED FOR PUBLICATION
 © COPYRIGHT BY TYCO ELECTRONICS CORPORATION. ALL RIGHTS RESERVED.

LOC		DIST		REVISIONS					
AG		53		P	LTR	DESCRIPTION	DATE	DWN	APVD
				0		RELEASED	25JAN06	JDP	JGH



- 1 MATERIAL:
EYELET - COPPER PER ASTM B 152
SPRING - BERYLLIUM COPPER PER ASTM B 194
- 2 TIN PLATE PER ASTM B 545, 0.00254 [.000100] MIN THK.
- 3 PACKAGED, 50,000 PER REEL
- 4 TO INSURE 1/2 OZ MIN RETENTION DO NOT EXCEED 0.10 [.004] DIFFERENCE IN PIN DIA WHEN CHANGING TO A SMALLER DIA PIN
- 5 PRODUCT IS OVALIZED FOR RETENTION IN THE P.C. BOARD. THE RECOMMENDED HOLE DIAMETER IS 1.32 [.052] MINIMUM, +0.08 [.003] MAX. PRIOR TO SOLDERING.
- 6 PACKAGED 10,000 PER REEL

2.54-4.32 [.100-.170]	0.36-0.66 [0.014-0.026]	TIN 2	TIN 2	6 1-5645956-1
2.54-4.32 [.100-.170]	0.36-0.66 [0.014-0.026]	TIN 2	TIN 2	3 5645956-1
LENGTH	DIA 4	SPRING	EYELET	PART NO.

THIS DRAWING IS A CONTROLLED DOCUMENT.

DIMENSIONS: mm [INCHES]	TOLERANCES UNLESS OTHERWISE SPECIFIED:	DWN J. POLIGNONE 25JAN06	Tyco Electronics Corporation Harrisburg, PA 17105-3608
	0 PLC ± -	CHK J. HAVENER 25JAN06	
	1 PLC ± -	APVD J. HAVENER 25JAN06	
	2 PLC ± -	PRODUCT SPEC 108-14008	
	3 PLC ± 0.20[.008]	APPLICATION SPEC 114-26004	NAME MINIATURE SPRING SOCKET ASSY SERIES 2 LONG WITHOUT SEALANT
	4 PLC ± -	WEIGHT -	SIZE A2 CAGE CODE 00779 DRAWING NO C=5645956
	ANGLES ± -	CUSTOMER DRAWING	RESTRICTED TO -
	FINISH SEE TABLE	SCALE 1:1 SHEET 1 OF 1 REV 0	