



Chipsmall Limited consists of a professional team with an average of over 10 year of expertise in the distribution of electronic components. Based in Hongkong, we have already established firm and mutual-benefit business relationships with customers from,Europe,America and south Asia,supplying obsolete and hard-to-find components to meet their specific needs.

With the principle of “Quality Parts,Customers Priority,Honest Operation,and Considerate Service”,our business mainly focus on the distribution of electronic components. Line cards we deal with include Microchip,ALPS,ROHM,Xilinx,Pulse,ON,Everlight and Freescale. Main products comprise IC,Modules,Potentiometer,IC Socket,Relay,Connector.Our parts cover such applications as commercial,industrial, and automotives areas.

We are looking forward to setting up business relationship with you and hope to provide you with the best service and solution. Let us make a better world for our industry!



## Contact us

Tel: +86-755-8981 8866 Fax: +86-755-8427 6832

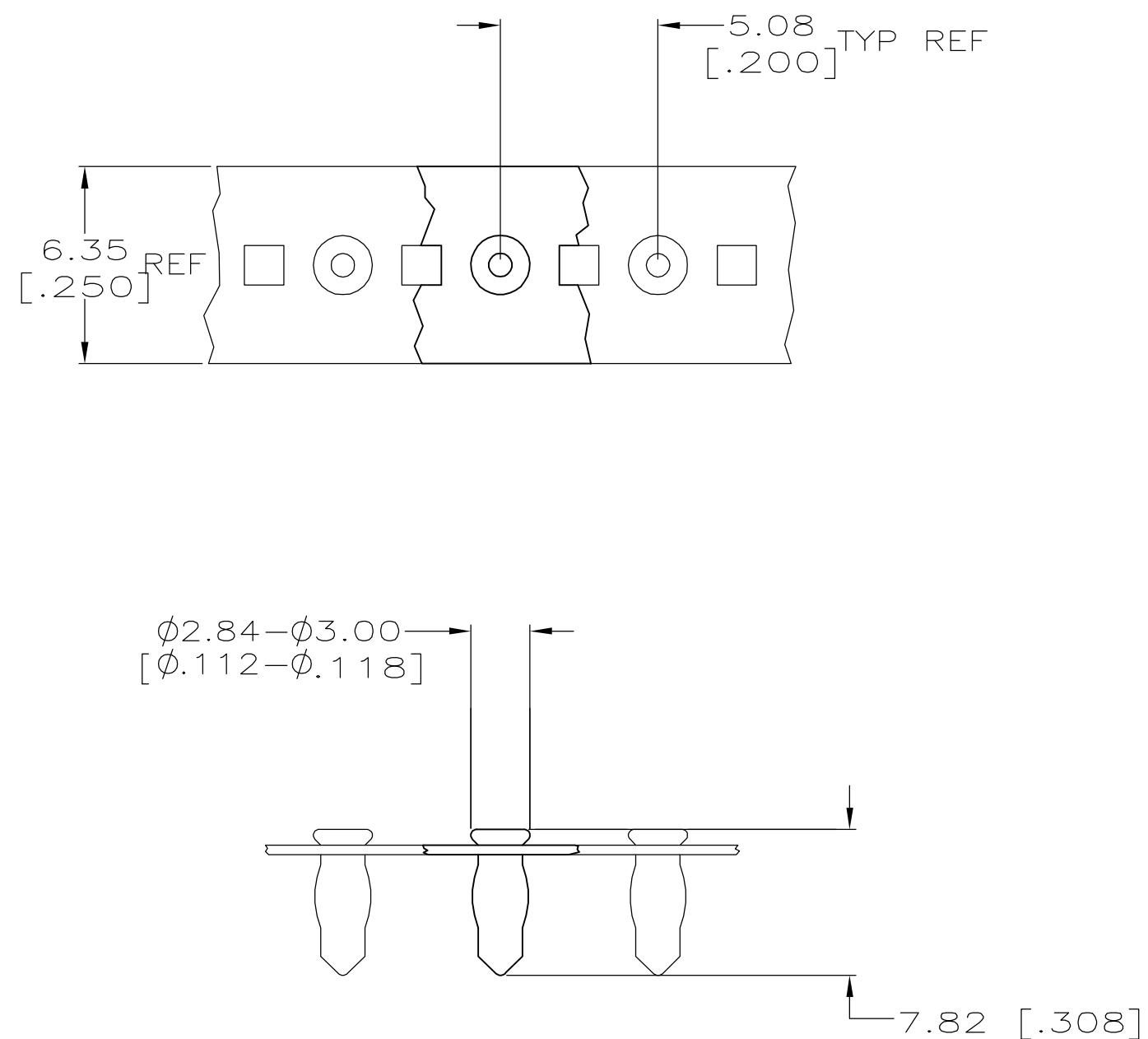
Email & Skype: info@chipsmall.com Web: www.chipsmall.com

Address: A1208, Overseas Decoration Building, #122 Zhenhua RD., Futian, Shenzhen, China

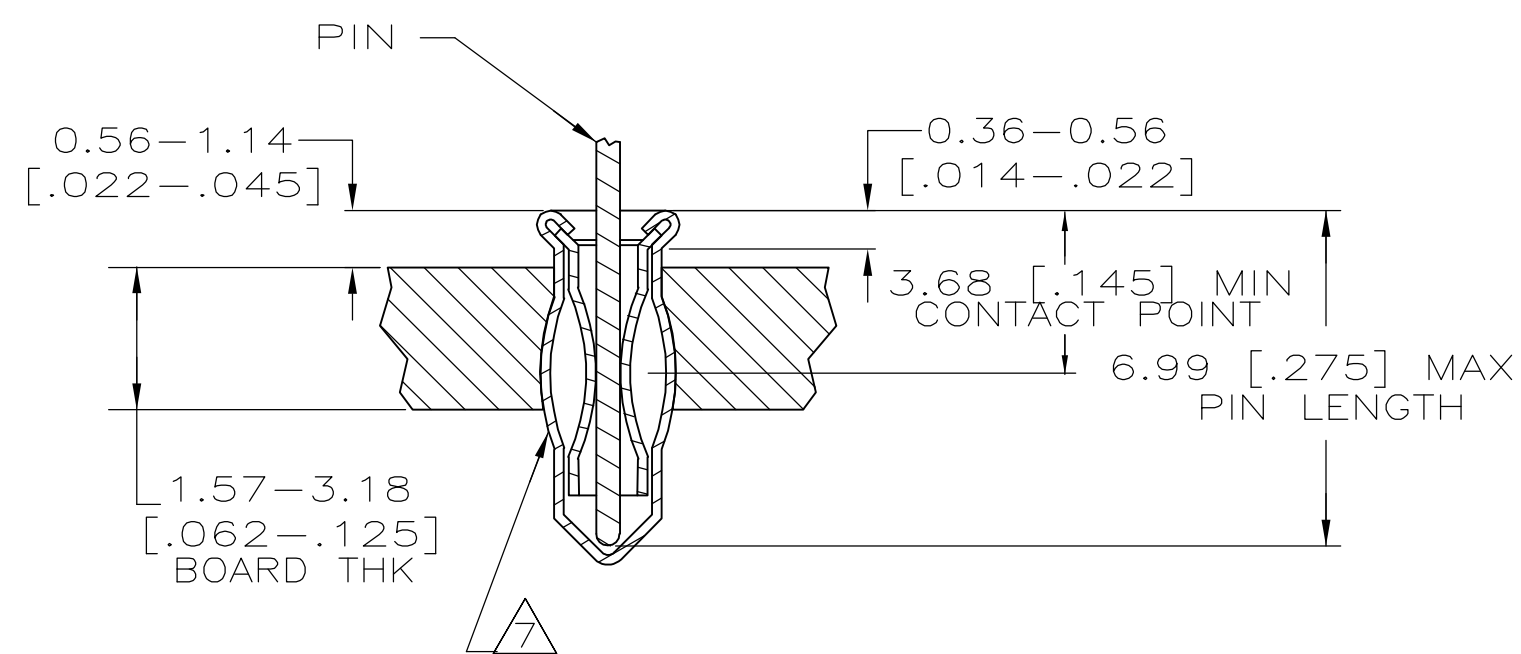


THIS DRAWING IS UNPUBLISHED. RELEASED FOR PUBLICATION  
 © COPYRIGHT BY TYCO ELECTRONICS CORPORATION. ALL RIGHTS RESERVED.

LOC	DIST	REVISIONS			
P	LTR	DESCRIPTION	DATE	DWN	APVD
AG	53	0	RELEASED.	21SEP2005	JGH/JGH



- 1 MATERIAL:  
EYELET - COPPER PER ASTM B 152  
SPRING - BERYLLIUM COPPER PER ASTM B 194
- 2 TIN PLATE PER ASTM B 545 0.00381 [.000150] MIN THICK.
- 3 TIN PLATE PER ASTM B 545 0.00254 [.000100] MIN THICK.
- 4 GOLD PLATE PER ASTM B 488 0.00076 [.000030] MIN THICK ON CONTACT AREA.
- 5 PACKAGED 25,000 PER REEL
- 6 TO INSURE 1/2 OZ MIN RETENTION DO NOT EXCEED 0.10 [.004] DIFFERENCE IN PIN DIA WHEN CHANGING TO A SMALLER DIA PIN
- 7 PRODUCT IS OVALIZED FOR RETENTION IN THE P.C. BOARD. THE RECOMMENDED HOLE DIAMETER IS  $\phi 2.59$  [ $\phi .102$ ] MINIMUM,  $+0.08$  [.003] MAX. PRIOR TO SOLDERING.
- 8 PACKAGED 10,000 PER REEL



3.76-6.99 [.145-.275]	$\phi 1.07-\phi 1.24$ [ $\phi .042-\phi .049$ ]	GOLD 4	TIN 2	1-5645979-2 8
3.76-6.99 [.145-.275]	$\phi 1.07-\phi 1.24$ [ $\phi .042-\phi .049$ ]	TIN 3	TIN 2	5645979-1 5
LENGTH	DIAMETER	SPRING	EYELET	PART NUMBER
PIN		FINISH		

THIS DRAWING IS A CONTROLLED DOCUMENT.		DWN J. HAVENER 21SEP2005	Tyco Electronics Corporation Harrisburg, PA 17105-3608	
DIMENSIONS: mm [INCHES]		CHK J. HAVENER 21SEP2005		
TOLERANCES UNLESS OTHERWISE SPECIFIED:		APVD J. HAVENER 21SEP2005	NAME MINIATURE SPRING SOCKET ASSY SERIES 5 WITHOUT SEALANT	
0 PLC ± - 1 PLC ± - 2 PLC ± - 3 PLC ± 0.20 [.008] 4 PLC ± - ANGLES ± -		PRODUCT SPEC -	SIZE A2	
MATERIAL 1		APPLICATION SPEC 114-26004	CAGE CODE 00779	DRAWING NO C=5645979
FINISH SEE TABLE		WEIGHT -	RESTRICTED TO -	SCALE 10:1
		CUSTOMER DRAWING	SHEET 1 of 1	REV 0