



Chipsmall Limited consists of a professional team with an average of over 10 year of expertise in the distribution of electronic components. Based in Hongkong, we have already established firm and mutual-benefit business relationships with customers from,Europe,America and south Asia,supplying obsolete and hard-to-find components to meet their specific needs.

With the principle of “Quality Parts,Customers Priority,Honest Operation,and Considerate Service”,our business mainly focus on the distribution of electronic components. Line cards we deal with include Microchip,ALPS,ROHM,Xilinx,Pulse,ON,Everlight and Freescale. Main products comprise IC,Modules,Potentiometer,IC Socket,Relay,Connector.Our parts cover such applications as commercial,industrial, and automotives areas.

We are looking forward to setting up business relationship with you and hope to provide you with the best service and solution. Let us make a better world for our industry!



Contact us

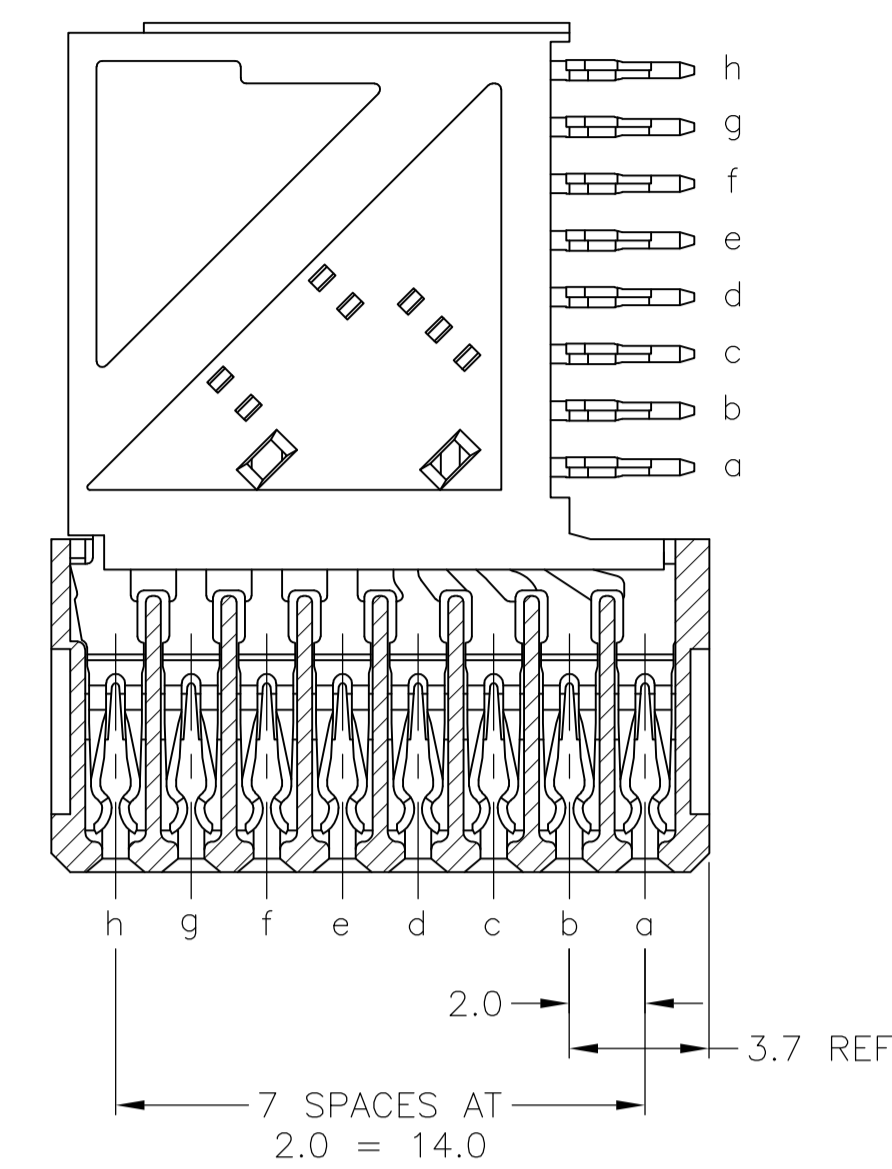
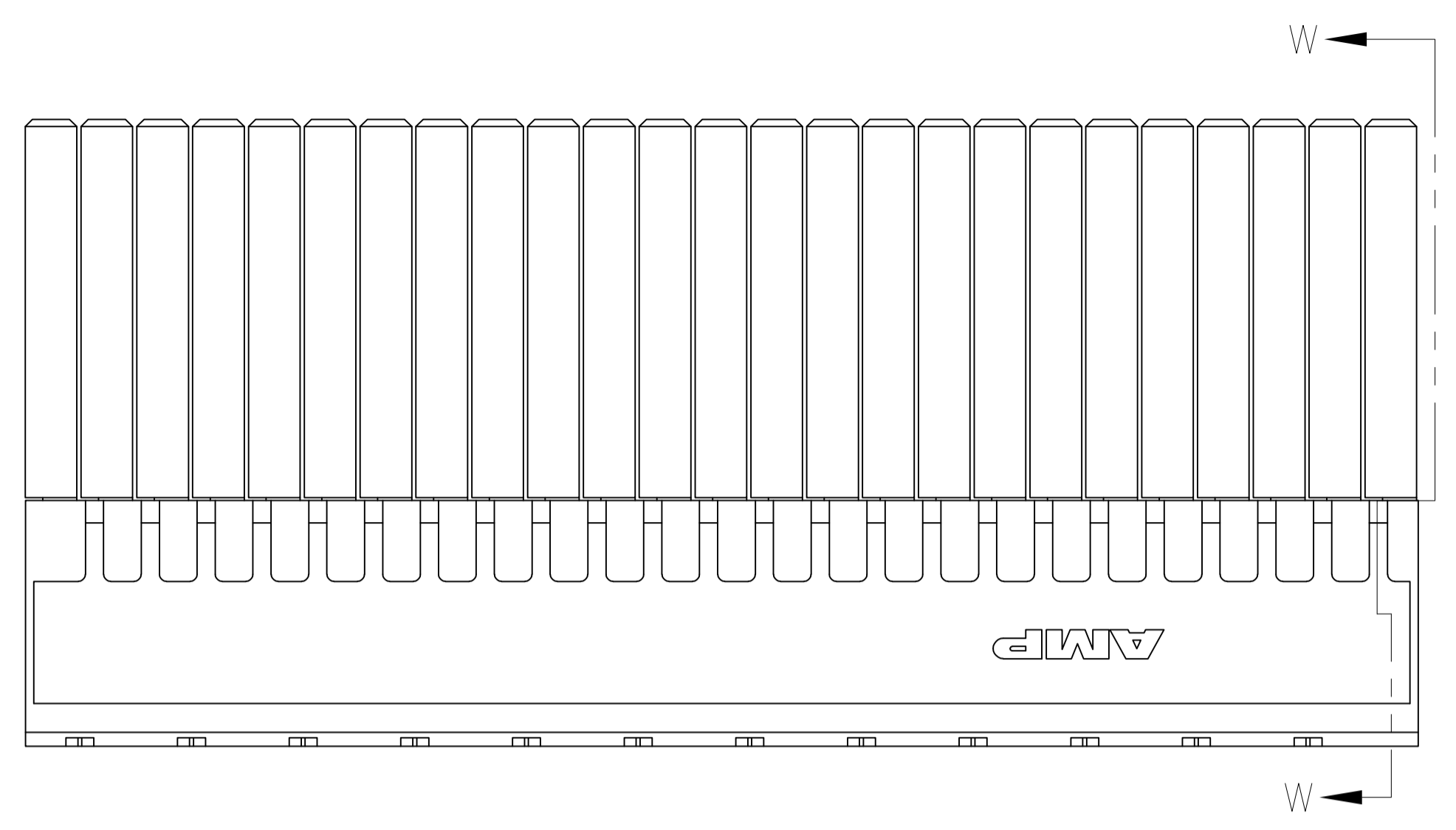
Tel: +86-755-8981 8866 Fax: +86-755-8427 6832

Email & Skype: info@chipsmall.com Web: www.chipsmall.com

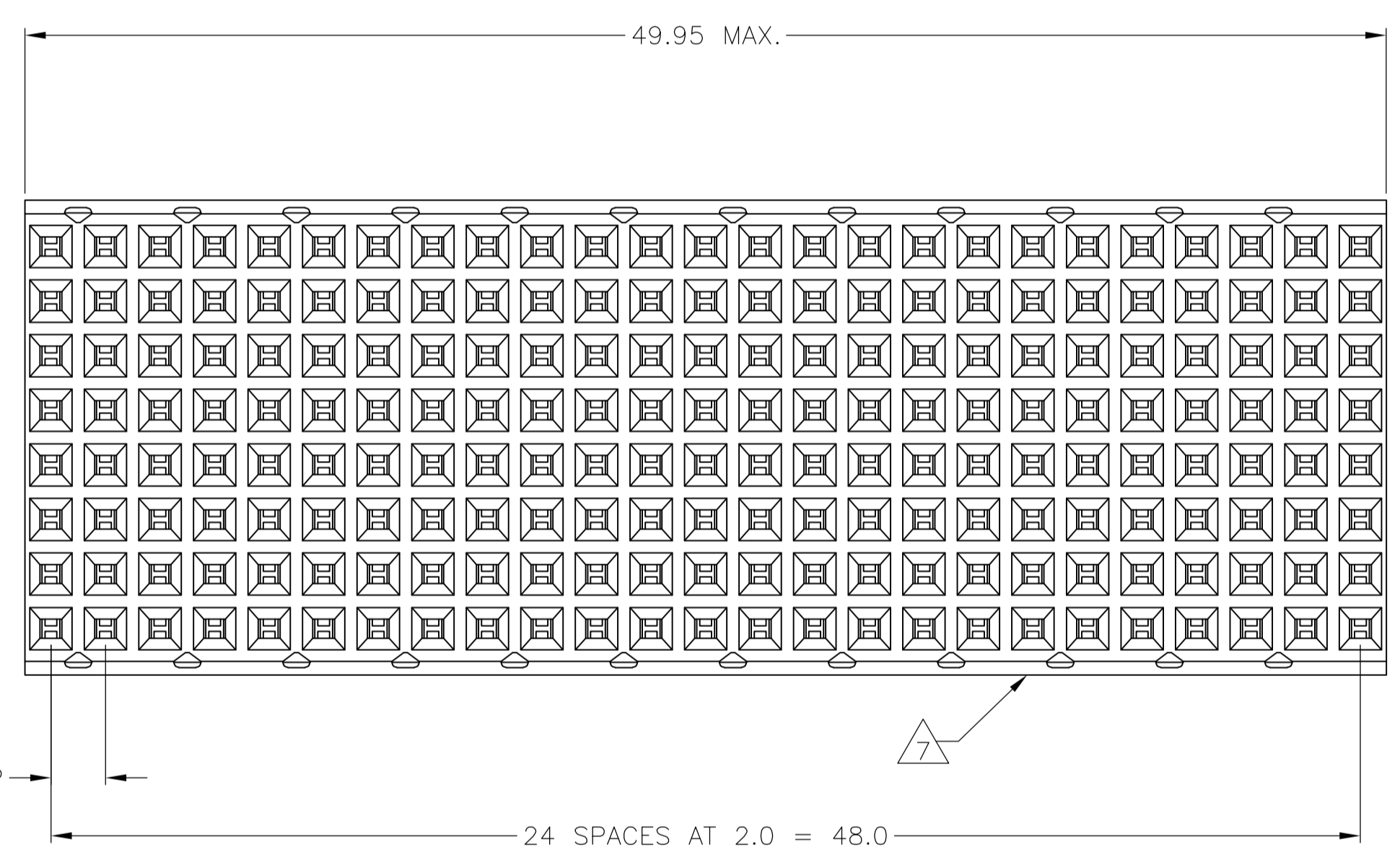
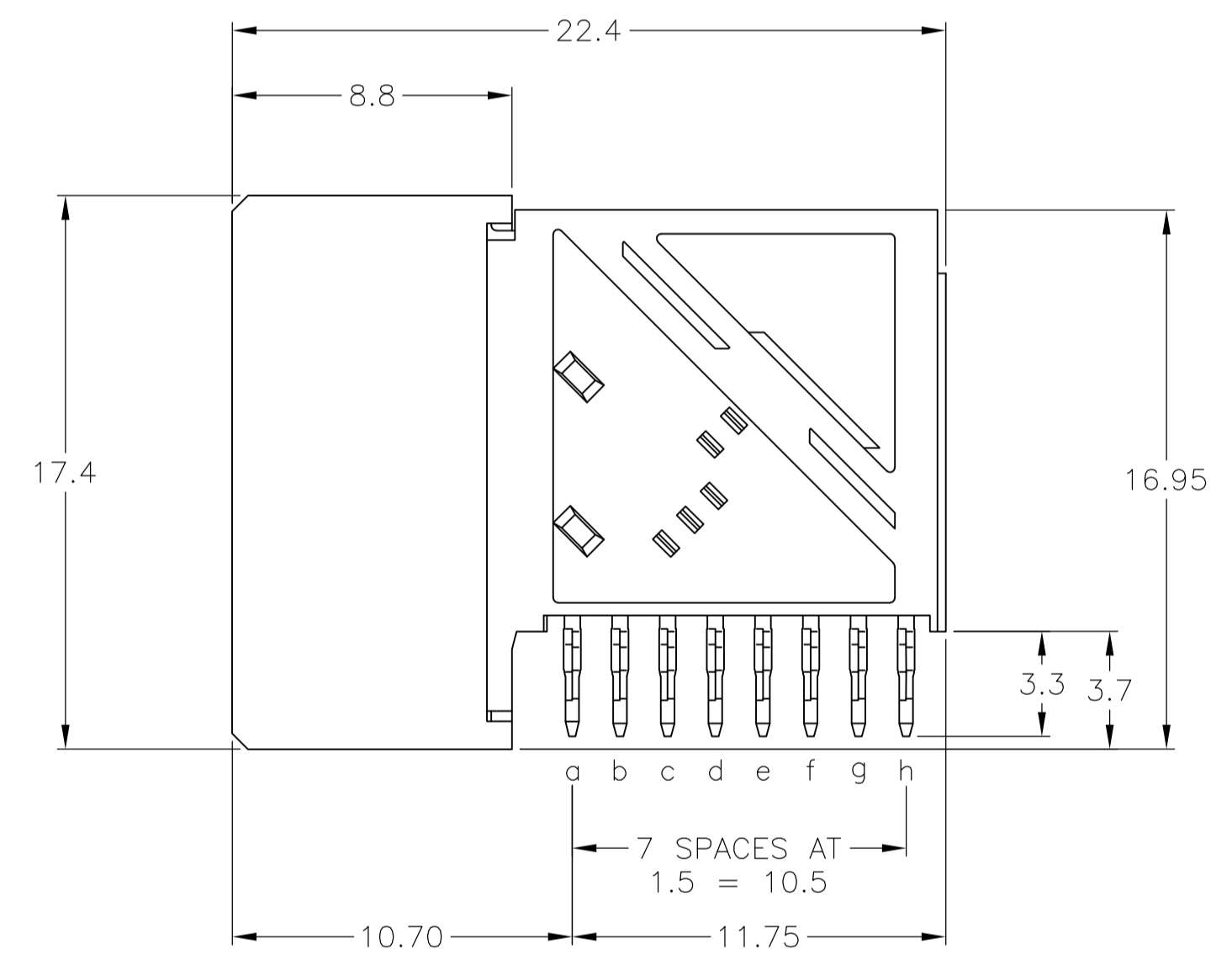
Address: A1208, Overseas Decoration Building, #122 Zhenhua RD., Futian, Shenzhen, China



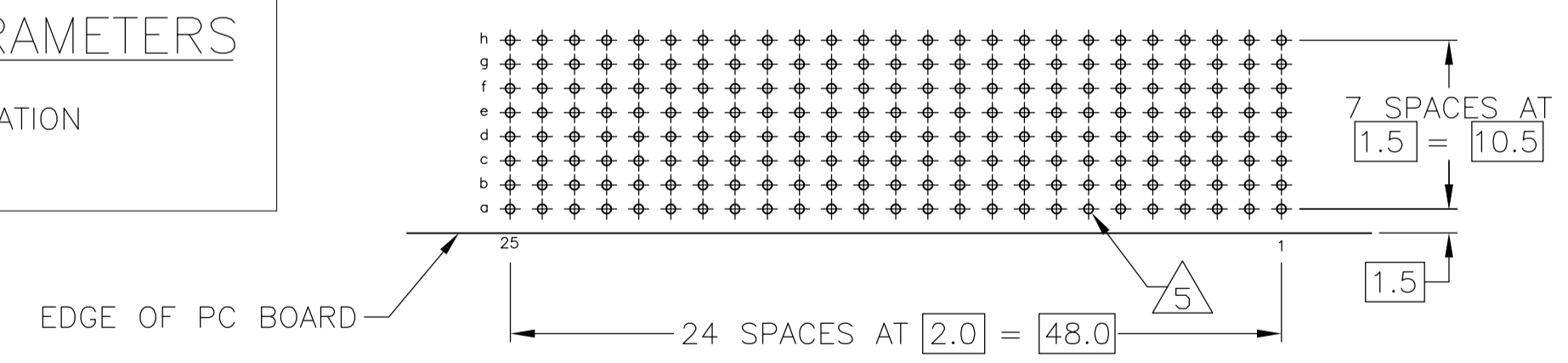
LOC		DIST		REVISIONS			
P	LTR	DESCRIPTION	DATE	DMN	APVD		
E		REVISED PER ECO-12-012363	05JUL2012	SY	AC		



SECTION W-W



PLATED THRU HOLES PARAMETERS
REFERENCE APPLICATION SPECIFICATION



RECOMMENDED PCB-HOLE LAYOUT
COMPONENT SIDE SHOWN
SCALE 2.5:1

- 1 MATERIAL:
CONTACT: PHOSPHOR BRONZE.
HOUSING: GLASS-FILLED POLYESTER.
- 2 GENERAL PLATING SPECIFICATION: UNDERPLATING
(ENTIRE CONTACT): 1.27μm MIN NICKEL AND ACTION
PIN: 0.5μm MIN TIN.
FOR PLATING OF MATING SURFACES SEE APPLICABLE
SPECIFICATION REFERENCE FOR EACH DASH NUMBER.
- 3 CONFORMS TO ALL TESTING ACCORDING TO IEC 61076-4-101
PERFORMANCE LEVEL 2.
- 4 CONNECTOR TESTED AND QUALIFIED AGAINST TELCORDIA GR-1217-CORE QUALITY LEVEL 3,
CENTRAL OFFICE APPLICATIONS.
- 5 PLATED THROUGH HOLES AT 2x1.5mm GRID. 200 TOTAL HOLES.
- 6 CONTACT AREA LUBRICATED WITH BELLCORE APPROVED LUBRICANT.
TECHNICAL REFERENCE: GR-1217-CORE, ISSUE 1, NOVEMBER 1995.
- 7 CONNECTOR PRINTED WITH PART NUMBER AND DATE CODE THIS SIDE.
ADDITIONAL CHARACTERS OR MARKINGS, AS WELL AS THE
LOCATION OF THE MARKINGS, MAY BE ADDED FOR TRACEABILITY BASED
UPON MANUFACTURERS DISCRETION.
- 8 0.76μm MIN GOLD PLATING AT MATING SURFACE.

2	3	8	3-5646445-0
1	4	6	5646445-9
2	3		5646445-1
FINISH			PART NUMBER

THIS DRAWING IS A CONTROLLED DOCUMENT.		DIN B CARBO 08DEC04	TE Connectivity	
DIMENSIONS: mm		0-PLG ±	RECEPTACLE ASSEMBLY, 200 POSITION, TYPE E, 8 ROW, W/TWISTED TULIP CONTACTS, Z-PACK 2mm HM	
TOLERANCES UNLESS OTHERWISE SPECIFIED:		1-PLG ±0.1	SIZE A1	CAGE CODE 00779
0-PLG ±		2-PLG ±0.05 ±0.2	DRAWING NO. 5646445	RESTRICTED TO
1-PLG ±		3-PLG ±	WEIGHT	SCALE 5:1
2-PLG ±		4-PLG ±	CUSTOMER DRAWING	SHEET 1 OF 1
3-PLG ±		ANGLES		REV E
4-PLG ±				