



Chipsmall Limited consists of a professional team with an average of over 10 year of expertise in the distribution of electronic components. Based in Hongkong, we have already established firm and mutual-benefit business relationships with customers from,Europe,America and south Asia,supplying obsolete and hard-to-find components to meet their specific needs.

With the principle of “Quality Parts,Customers Priority,Honest Operation,and Considerate Service”,our business mainly focus on the distribution of electronic components. Line cards we deal with include Microchip,ALPS,ROHM,Xilinx,Pulse,ON,Everlight and Freescale. Main products comprise IC,Modules,Potentiometer,IC Socket,Relay,Connector.Our parts cover such applications as commercial,industrial, and automotives areas.

We are looking forward to setting up business relationship with you and hope to provide you with the best service and solution. Let us make a better world for our industry!



## Contact us

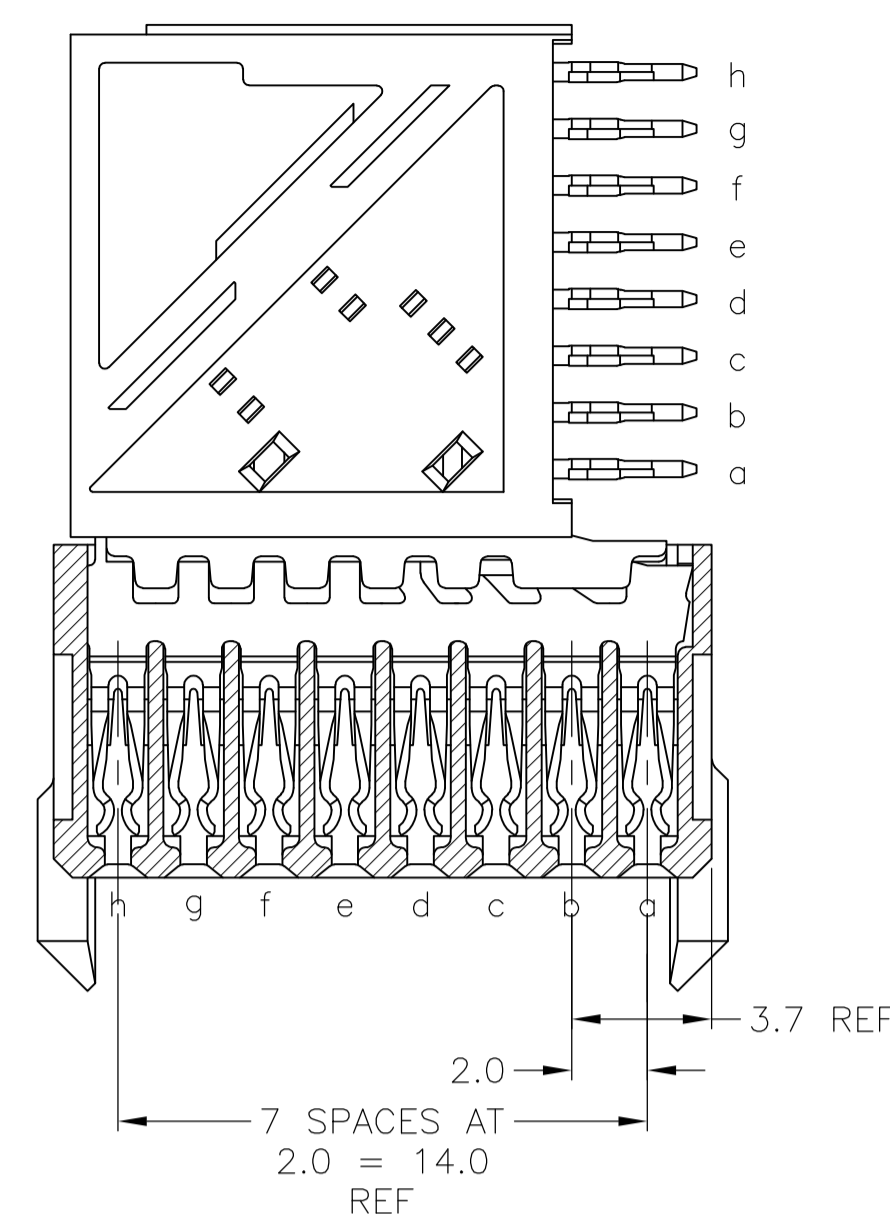
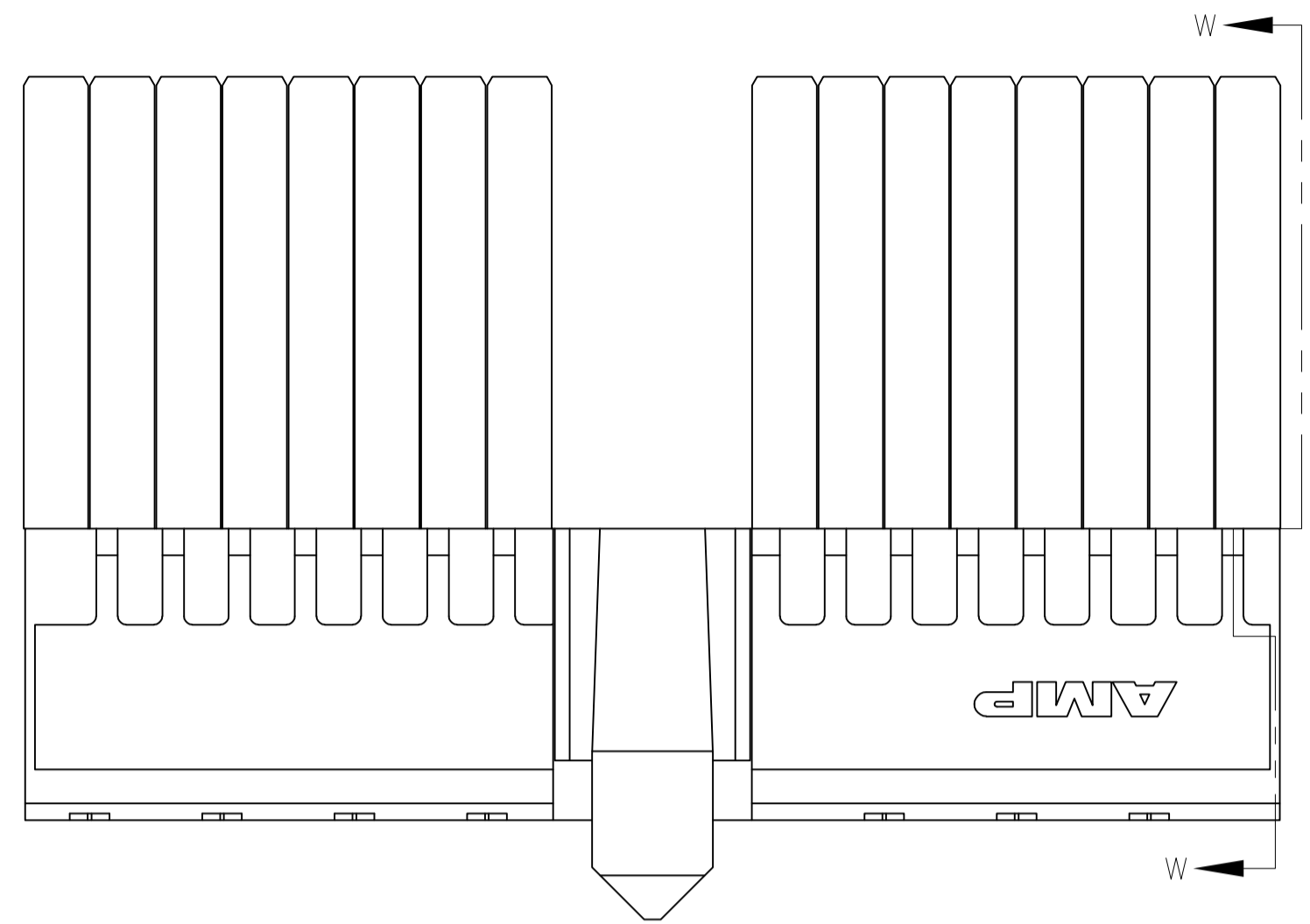
Tel: +86-755-8981 8866 Fax: +86-755-8427 6832

Email & Skype: info@chipsmall.com Web: www.chipsmall.com

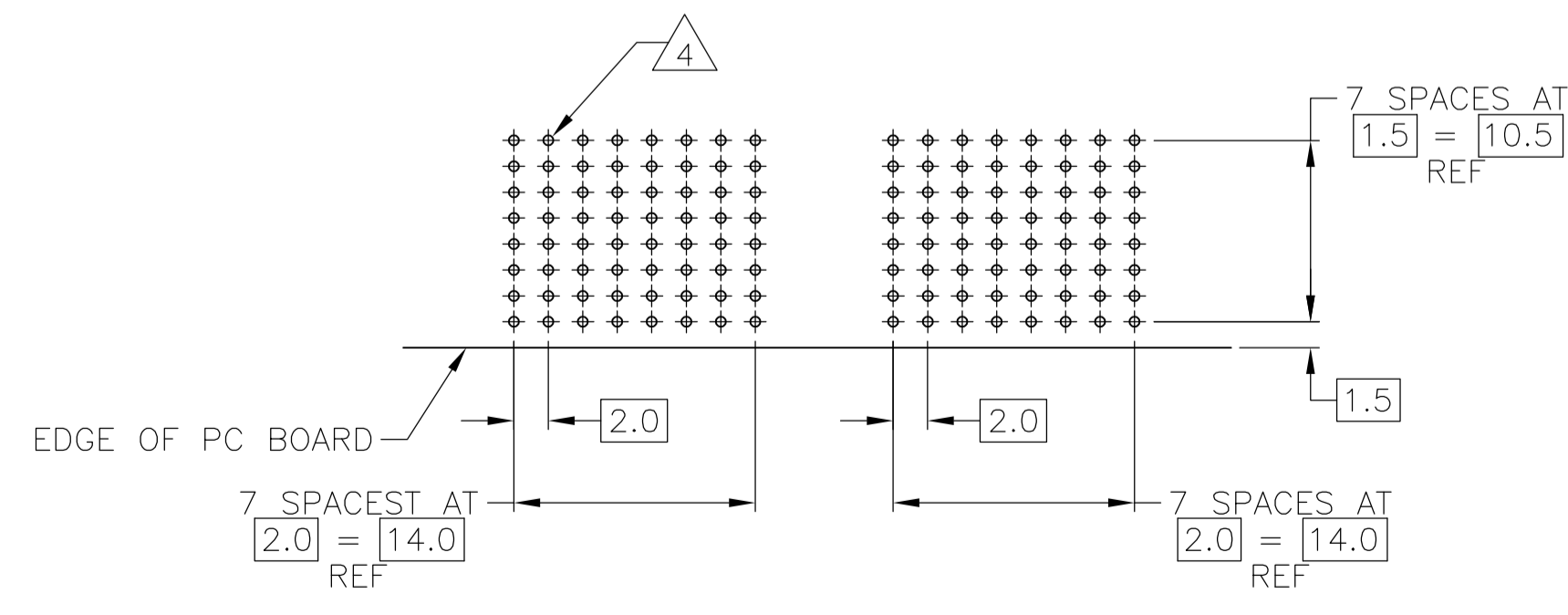
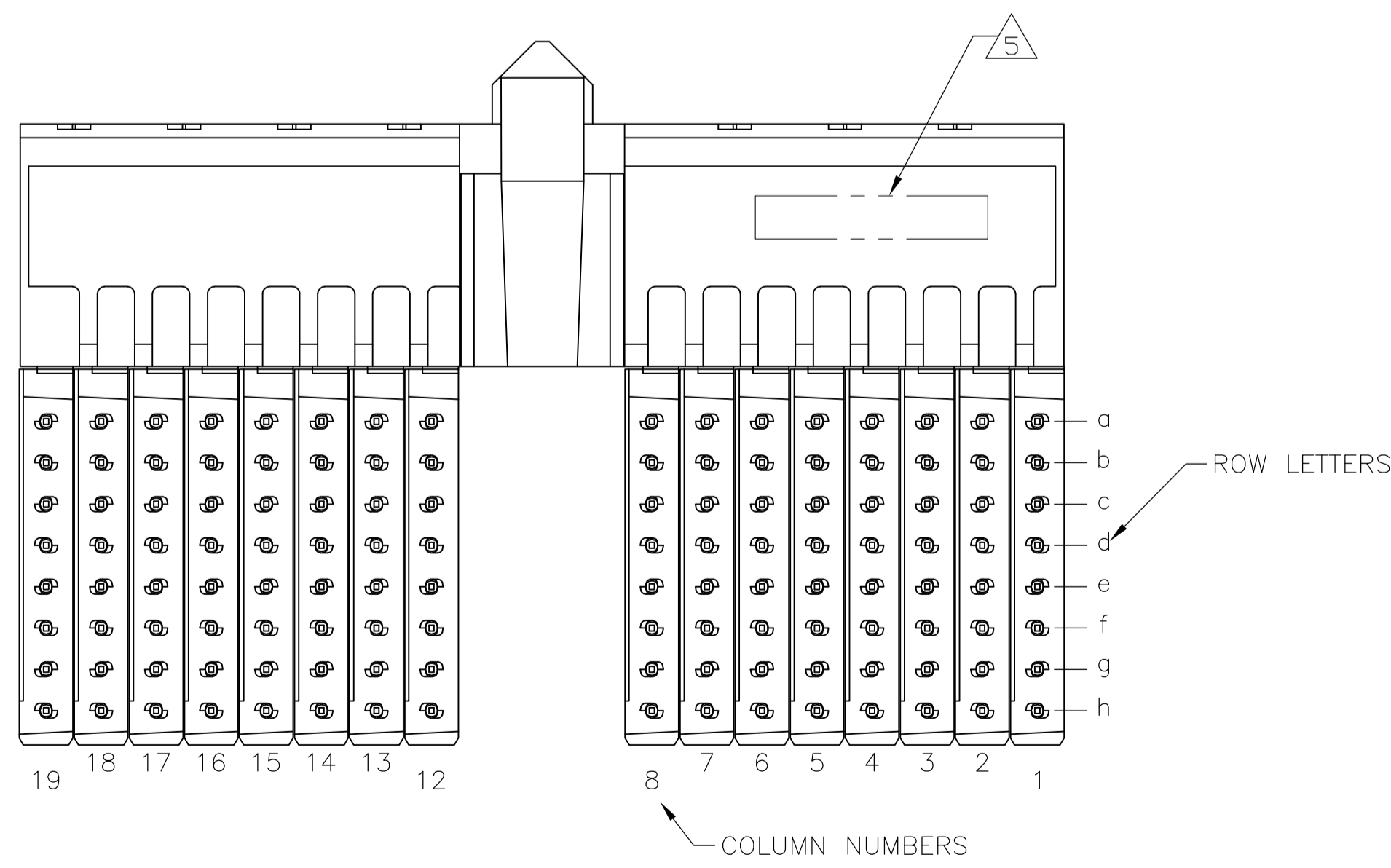
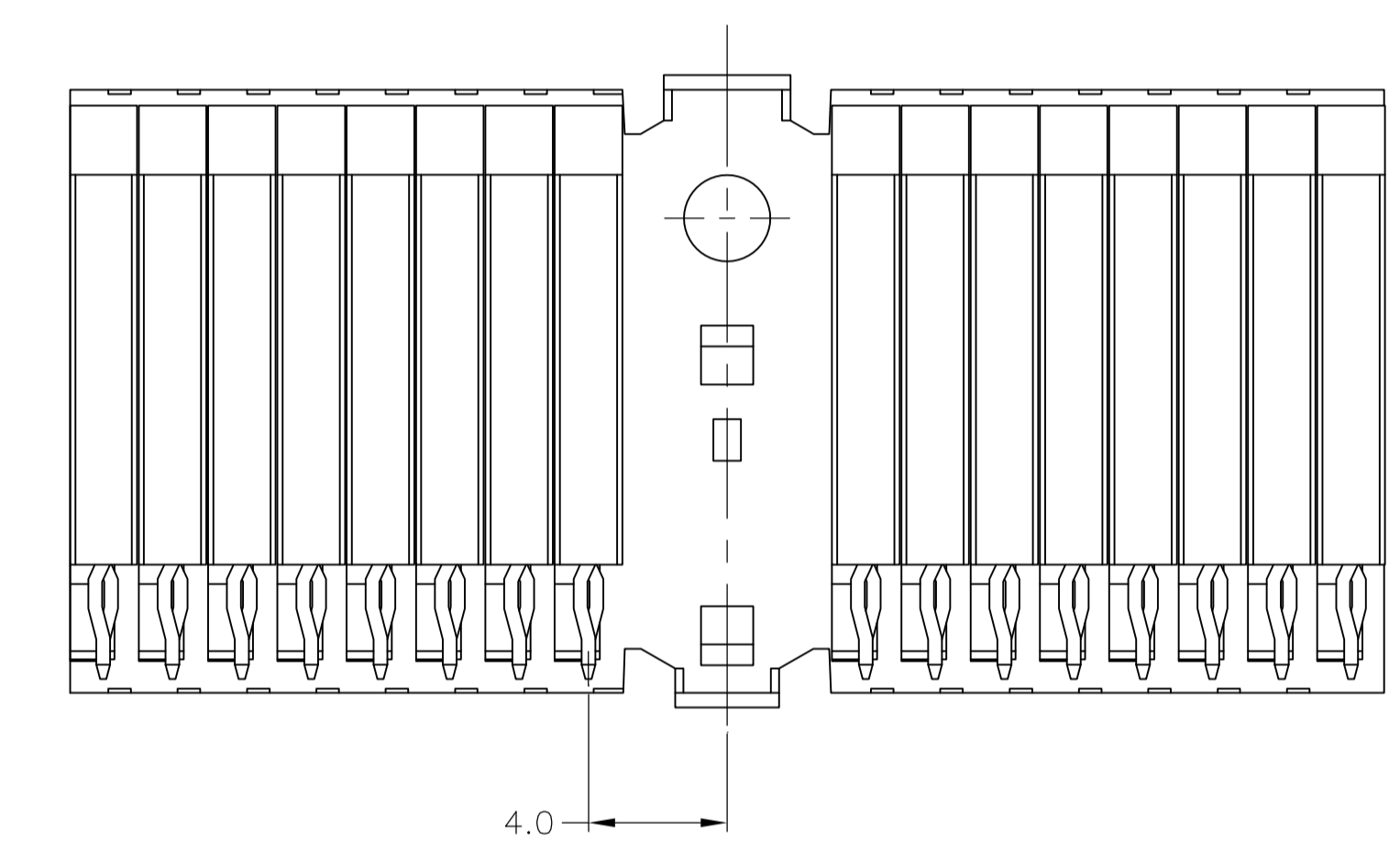
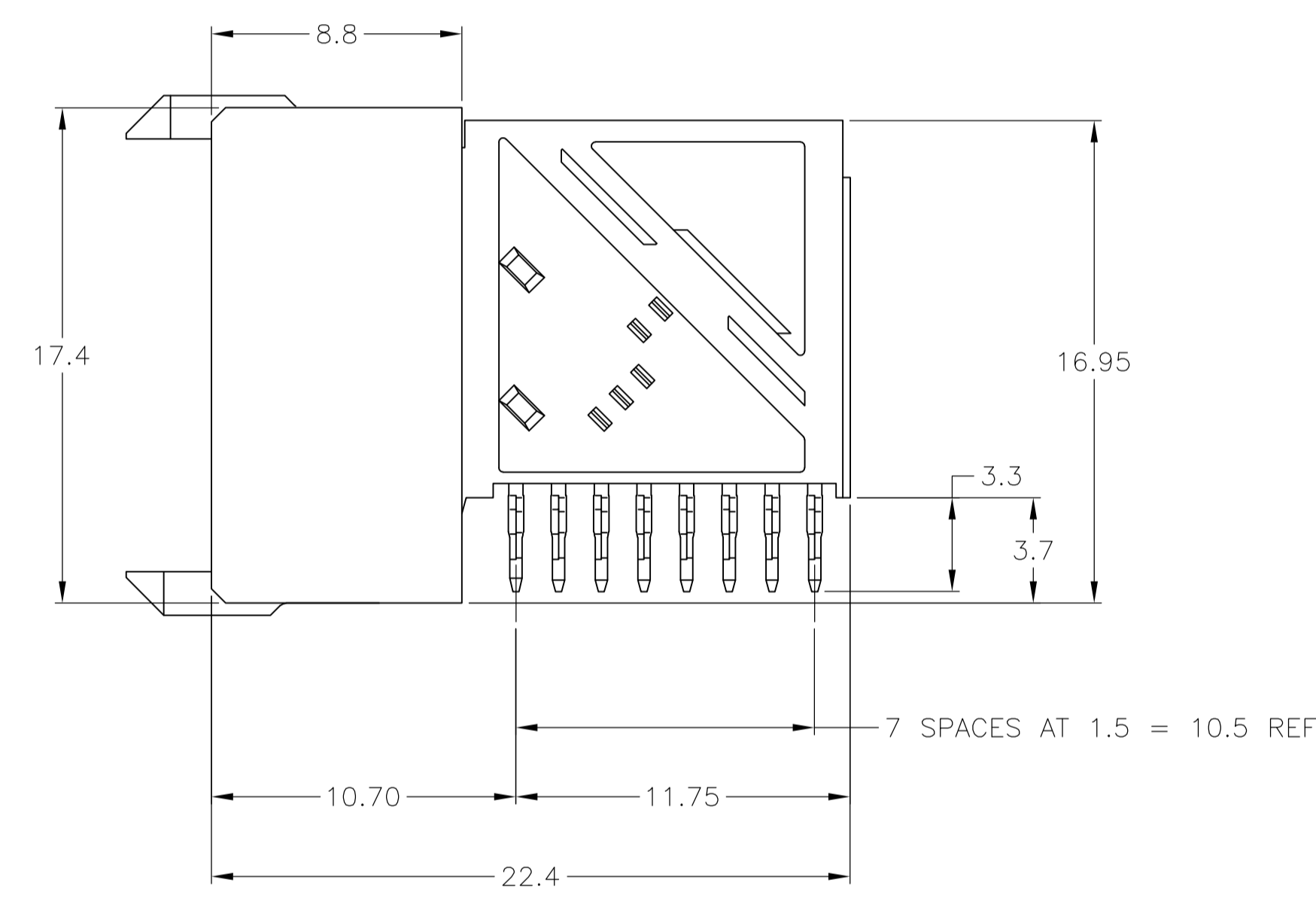
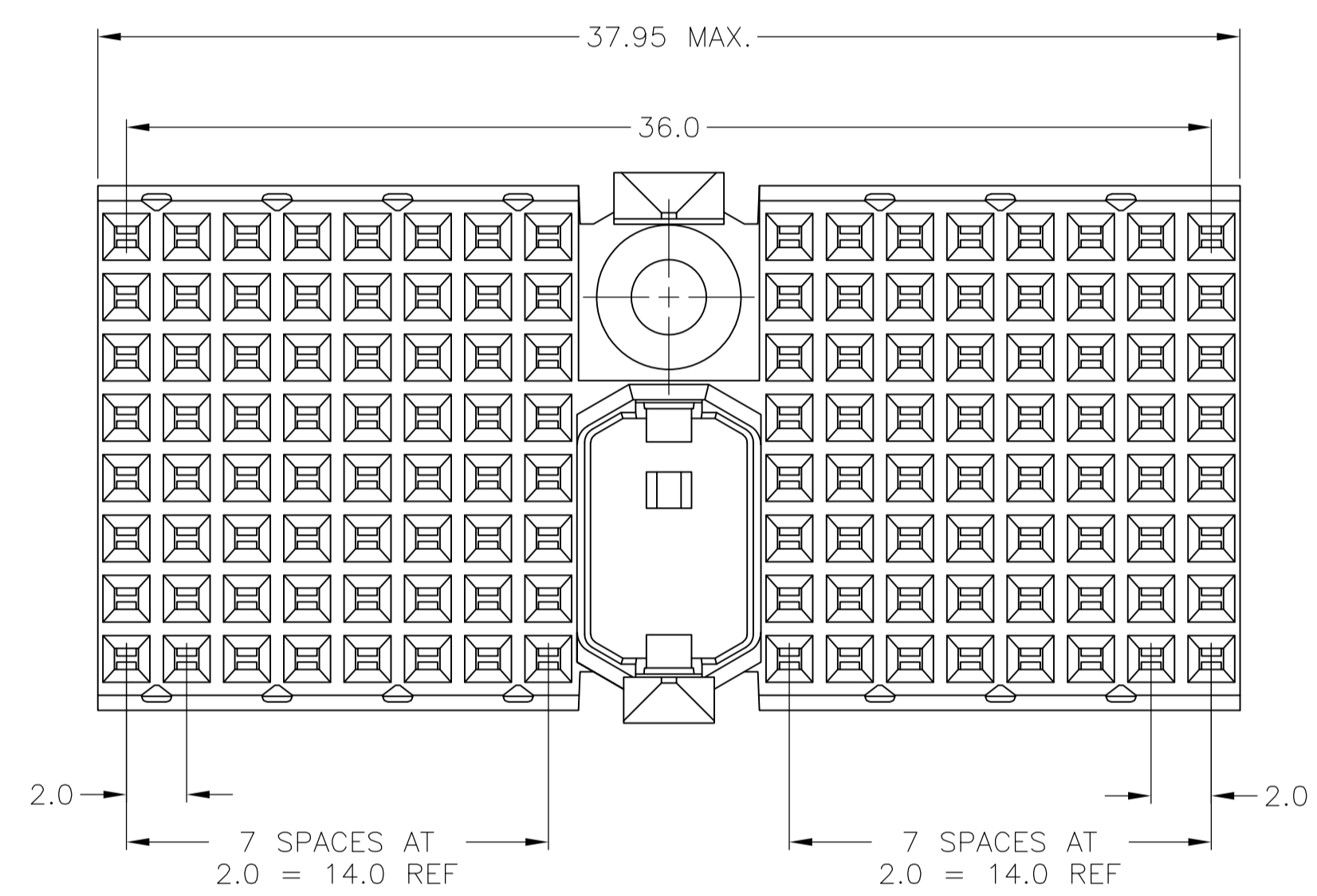
Address: A1208, Overseas Decoration Building, #122 Zhenhua RD., Futian, Shenzhen, China



LOC		DIST		REVISIONS			
P	LTR	DESCRIPTION	DATE	DMN	APVD		
A		REV PER EC 0512-0302-05	06DEC05	BC	GS		
B		ECR-10-018652	10SEP10	JS	MQW		
C		ECO-11-024491	13DEC11	SY	MQW		



- 1 MATERIAL:  
CONTACT: PHOSPHER BRONZE.  
HOUSING: GLASS FILLED POLYESTER.
- 2 GENERAL PLATING SPECIFICATION: UNDERPLATING  
(ENTIRE CONTACT): 1.27µm MIN NICKEL AND ACTION  
PIN: 0.5µm MIN TIN.  
FOR PLATING OF MATING SURFACES SEE APPLICABLE SPECIFICATION REFERENCE FOR EACH DASH NUMBER.
- 3 CONFORMS TO ALL TESTING ACCORDING TO IEC 61076-4-101 PERFORMANCE LEVEL 2.
- 4 PLATED THROUGH HOLES AT 2 x 1.5mm GRID. 128 TOTAL HOLES.
- 5 CONNECTOR PRINTED WITH PART NUMBER AND DATE CODE THIS SIDE.  
ADDITIONAL CHARACTERS OR MARKINGS, AS WELL AS THE LOCATION OF THE MARKINGS, MAY BE ADDED FOR TRACEABILITY BASED UPON MANUFACTURERS DISCRETION.



RECOMMENDED PCB HOLE LAYOUT COMPONENT SIDE  
SCALE 2.5:1

**PCB HOLE DIM ACTION PIN**  
 DRILLED HOLE: 0.7±0.025  
 FIN HOLE: 0.55 TO 0.65mm  
 Cu-thks: 0.025 TO 0.050mm  
 SnPb-thks: 0.004 TO 0.010mm

2	3	5646447-1
FINISH		PART NUMBER

THIS DRAWING IS A CONTROLLED DOCUMENT.		DIN B CARBO 14DEC05	Tyco Electronics Corporation	
DIMENSIONS: mm		CHK G SKIPPER 14DEC05	Harrisburg, PA 17105-3608	
TOLERANCES UNLESS OTHERWISE SPECIFIED:		APVD G SKIPPER 14DEC05	NAME	
0-PLG	±	PRODUCT SPEC		
1-PLG	±	APPLICATION SPEC		
2-PLG	±0.10 ±0.2	SIZE CAGE CODE DRAWING NO		
3-PLG	±	RESTRICTED TO		
4-PLG	±	WEIGHT		
ANGLES	±	A1 00779 C=5646447		
MATERIAL	FINISH SEE TABLE	CUSTOMER DRAWING		SCALE 5:1 SHEET 1 OF 1 REV C