



Chipsmall Limited consists of a professional team with an average of over 10 year of expertise in the distribution of electronic components. Based in Hongkong, we have already established firm and mutual-benefit business relationships with customers from,Europe,America and south Asia,supplying obsolete and hard-to-find components to meet their specific needs.

With the principle of “Quality Parts,Customers Priority,Honest Operation,and Considerate Service”,our business mainly focus on the distribution of electronic components. Line cards we deal with include Microchip,ALPS,ROHM,Xilinx,Pulse,ON,Everlight and Freescale. Main products comprise IC,Modules,Potentiometer,IC Socket,Relay,Connector.Our parts cover such applications as commercial,industrial, and automotives areas.

We are looking forward to setting up business relationship with you and hope to provide you with the best service and solution. Let us make a better world for our industry!



Contact us

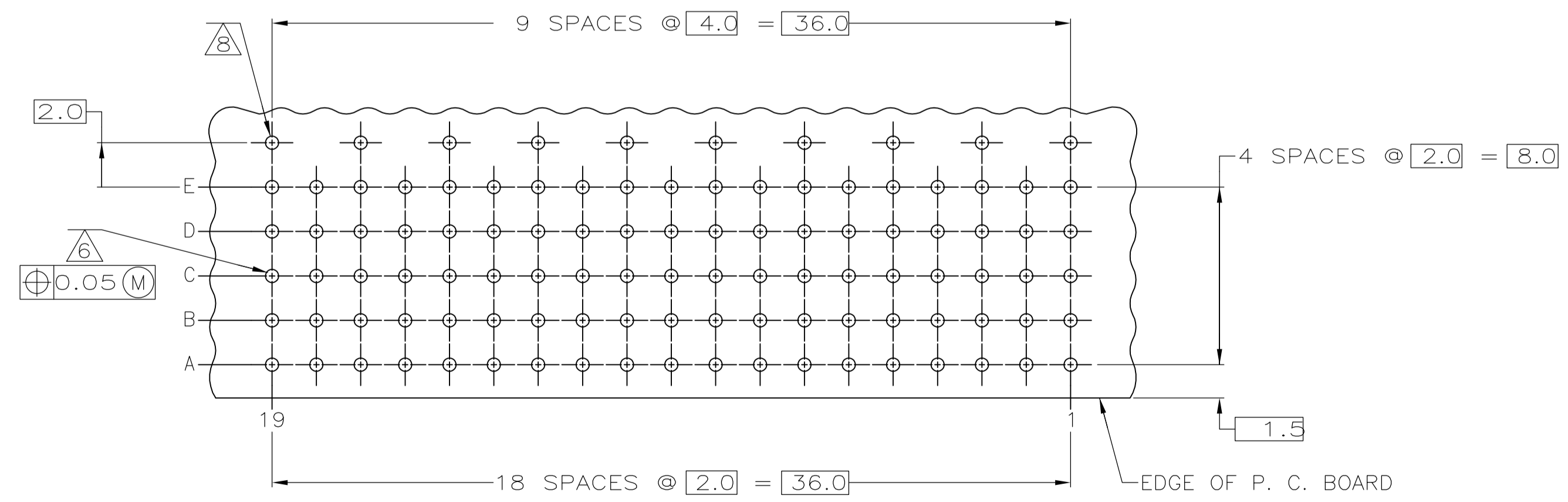
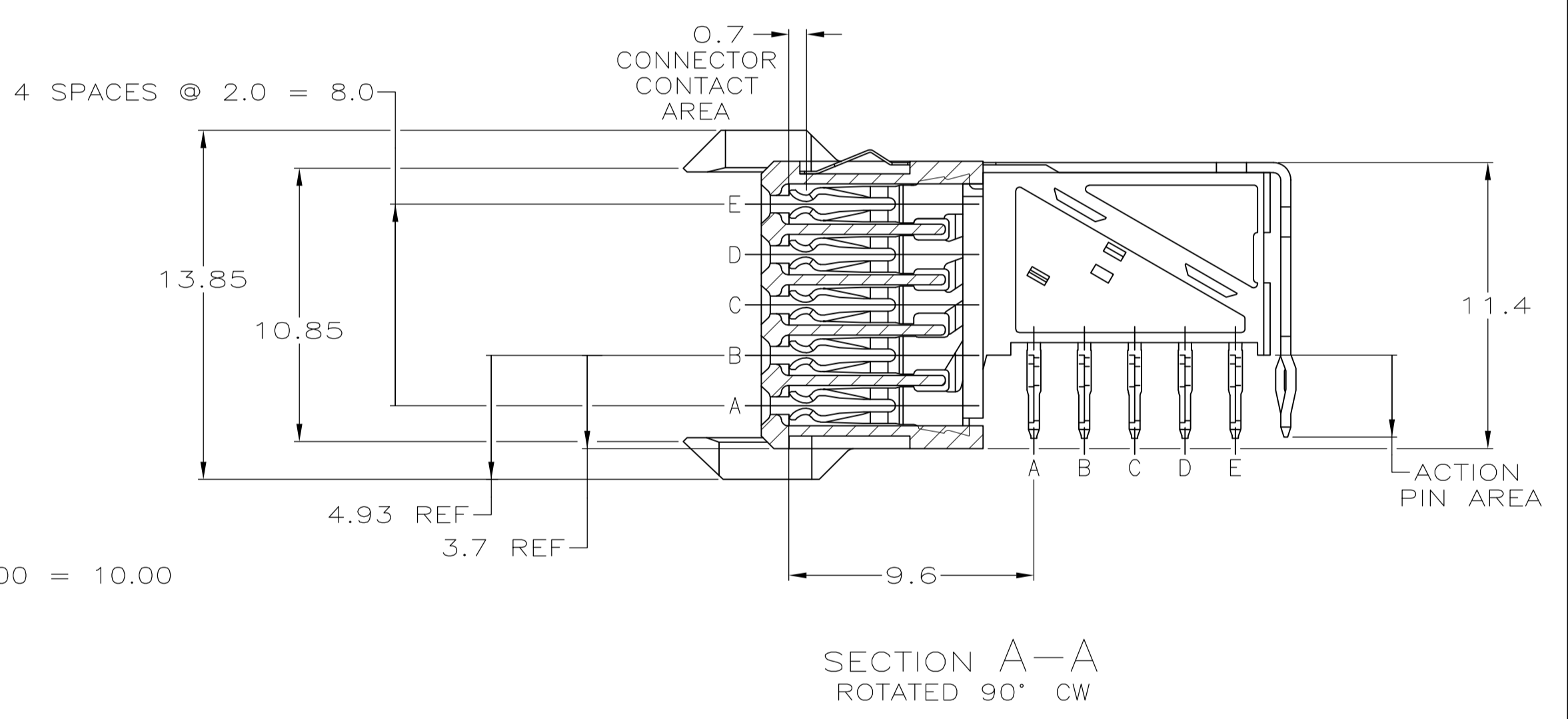
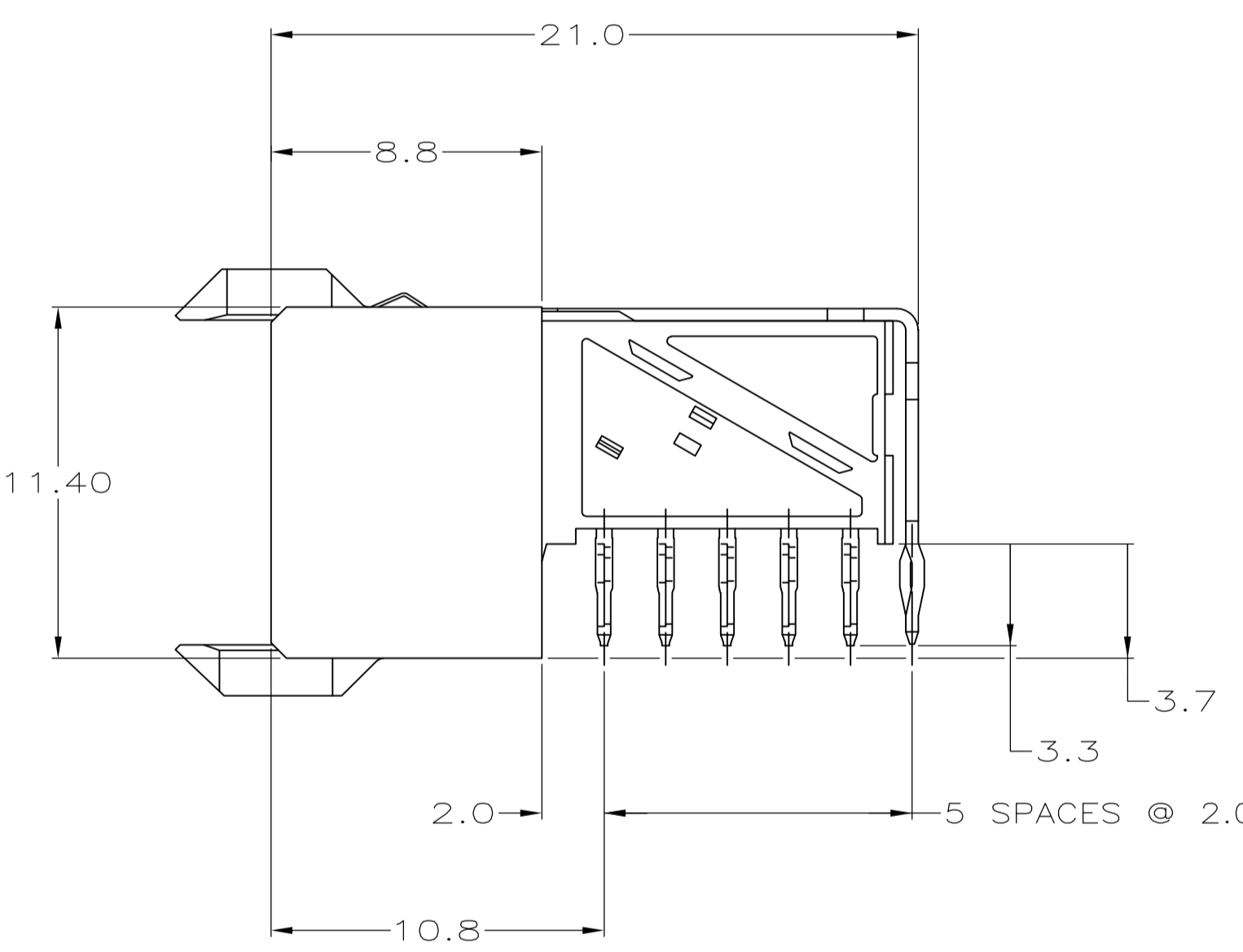
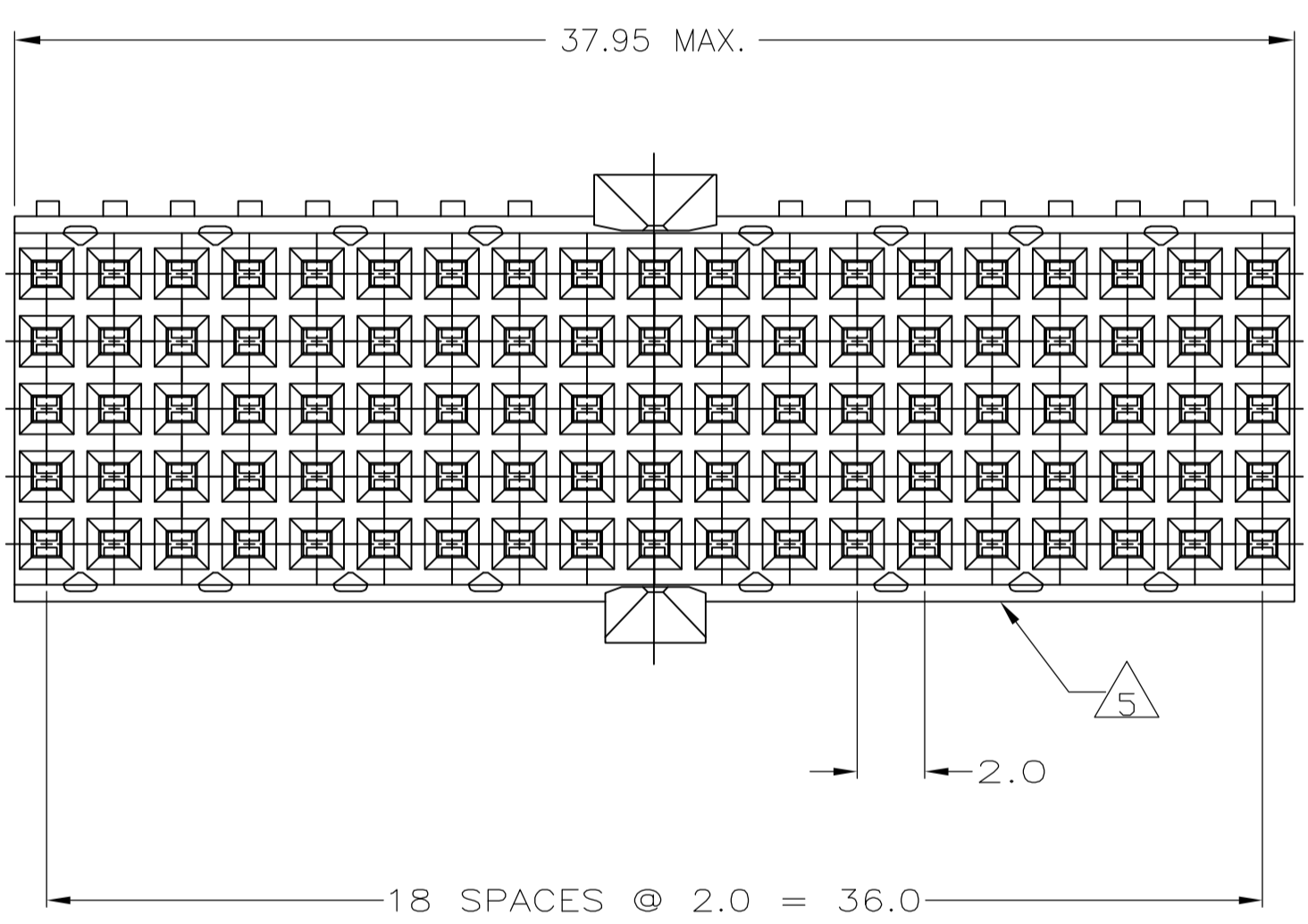
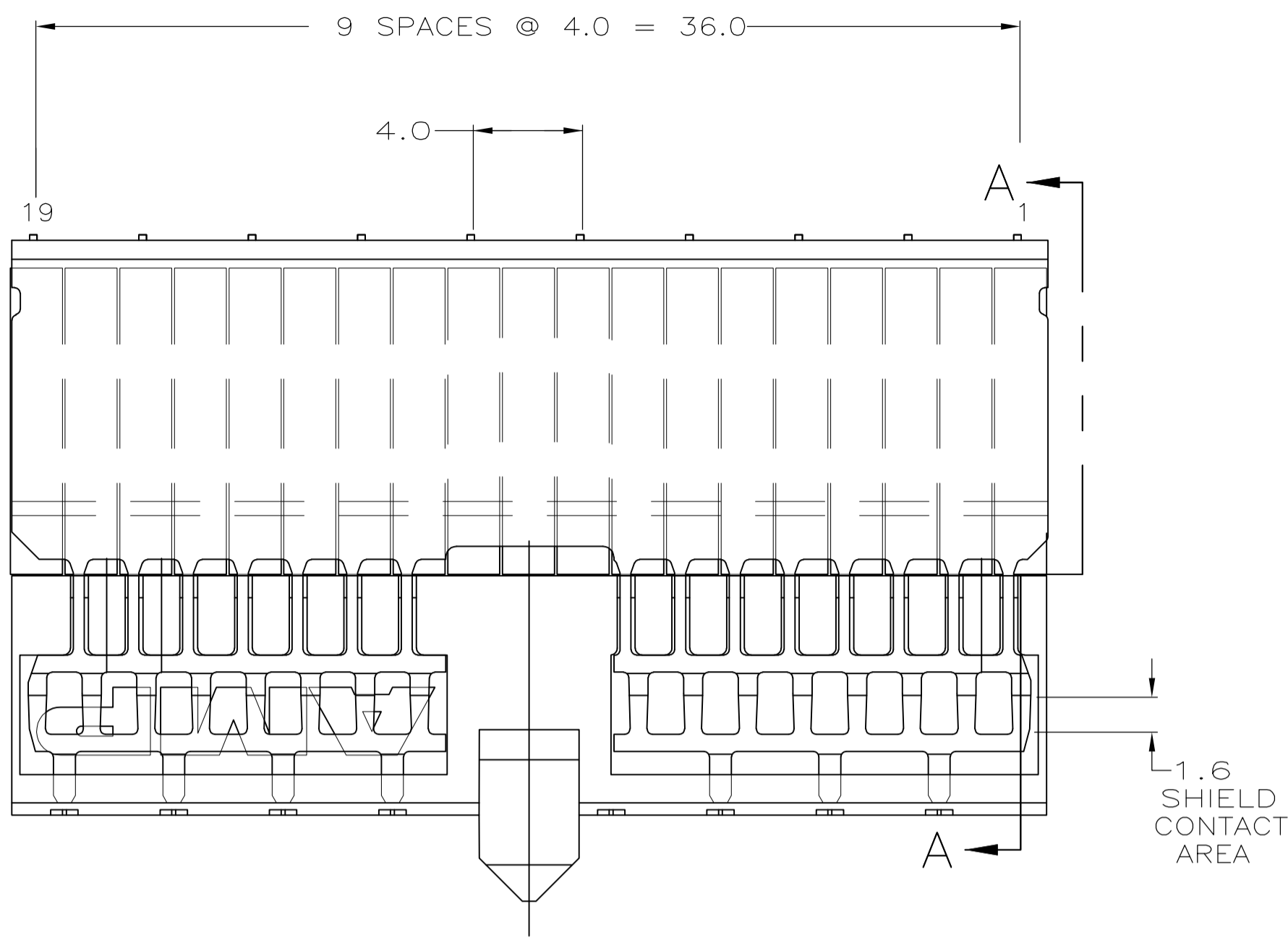
Tel: +86-755-8981 8866 Fax: +86-755-8427 6832

Email & Skype: info@chipsmall.com Web: www.chipsmall.com

Address: A1208, Overseas Decoration Building, #122 Zhenhua RD., Futian, Shenzhen, China



| LOC | DIST | REVISIONS | | | | |
|-----|------|-----------|-----------------------|---------|----|------|
| | | REV | DESCRIPTION | DATE | BY | APPV |
| H | - | A2 | REV PER ECO-10-000444 | 02NOV09 | KK | AEG |
| | | B | ECR-10-018652 | 10SEP10 | SW | MQW |
| | | C | ECO-11-024491 | 13DEC11 | SY | MQW |



RECOMMENDED PCB-HOLE LAYOUT COMPONENT SIDE SHOWN

SCALE 2.5:1

PLATED THRU HOLES PARAMETERS

REFERENCE APPLICATION SPECIFICATION

- 1 GENERAL PLATING SPECIFICATION: UNDERPLATING (ENTIRE CONTACT): 1.27µm NICKEL MIN. AND ACTION PIN: 0.5µm TIN MIN. FOR PLATING OF MATING SURFACES SEE APPLICABLE SPECIFICATION REFERENCE FOR EACH DASH NUMBER.
- 2 CONFORMS TO ALL TESTING ACCORDING IEC 61076-4-101 PERFORMANCE LEVEL 2.
- 3 CONFORMS TO ALL TESTING ACCORDING IEC 61076-4-101 PERFORMANCE LEVEL 1.
- 4 MATERIAL:
CONTACT: PHOSPHOR BRONZE.
HOUSING: GLASS-FILLED POLYESTER.
- 5 CONNECTOR MARKED WITH PART NUMBER AND DATE CODE. ADDITIONAL CHARACTERS OR MARKINGS, AS WELL AS THE LOCATION OF THE MARKINGS, MAY BE ADDED FOR TRACEABILITY BASED UPON MANUFACTURERS DISCRETION.
- 6 PLATED-THROUGH HOLES AT 2x2mm SQUARE GRID PATTERN DEFINED BY CONTACT LAYOUT.
- 7 CONNECTOR LUBRICATED WITH TELCORDIA APPROVED LUBRICANT.
- 8 10 PLATED THROUGH HOLES FOR UPPER SHIELD, ROW F.
- 9. SHIELD MOUNTED TO CONNECTOR WITH DOUBLE SIDED ADHESIVE TAPE OR ADHESIVE.
- 10 CONNECTOR TESTED AND QUALIFIED AGAINST TELCORDIA GR-1217-CORE QUALITY LEVEL III, CENTRL OFFICE APPLICATIONS
- 11 CONNECTOR TESTED AND QUALIFIED AGAINST TELCORDIA GR-1217-CORE QUALITY LEVEL III, UNCONTROLLED ENVIRONMENT APPLICATIONS
- 12 OBSOLETE PARTS: OBSOLETE CIS STREAMLINING PER D.RENAUD/D.SINISI

| FINISH | PART NUMBER |
|--------|-------------|
| 1 7 11 | 1-5646488-9 |
| 1 7 10 | -5646488-9 |
| 1 3 | 5646488-4 |
| 1 2 | 5646488-1 |

THIS DRAWING IS A CONTROLLED DOCUMENT.

| | | | | | | | |
|----------------|--|-----------|-------------|--------------|-----------|------------|---------------|
| DIMENSIONS: mm | TOLERANCES UNLESS OTHERWISE SPECIFIED: | 0-PLC ± | 1-PLC ± 0.2 | 2-PLC ± 0.02 | 3-PLC ± | 4-PLC ± | ANGLES |
| MATERIAL | FINISH | SEE TABLE | WEIGHT | SIZE | CAGE CODE | DRAWING NO | RESTRICTED TO |

DWN: T.KRAYBILL 21JUN05
 CHK: G. SKIPPER 21JUN05
 APVD: G. SKIPPER 21JUN05
 PRODUCT SPEC: --
 APPLICATION SPEC: --
 WEIGHT: --
 SIZE: A1
 CAGE CODE: 00779
 DRAWING NO: 5646488
 RESTRICTED TO: --
 CUSTOMER DRAWING: --
 SCALE: 5:1
 SHEET: 1 OF 1
 REV: C