



Chipsmall Limited consists of a professional team with an average of over 10 year of expertise in the distribution of electronic components. Based in Hongkong, we have already established firm and mutual-benefit business relationships with customers from,Europe,America and south Asia,supplying obsolete and hard-to-find components to meet their specific needs.

With the principle of “Quality Parts,Customers Priority,Honest Operation,and Considerate Service”,our business mainly focus on the distribution of electronic components. Line cards we deal with include Microchip,ALPS,ROHM,Xilinx,Pulse,ON,Everlight and Freescale. Main products comprise IC,Modules,Potentiometer,IC Socket,Relay,Connector.Our parts cover such applications as commercial,industrial, and automotives areas.

We are looking forward to setting up business relationship with you and hope to provide you with the best service and solution. Let us make a better world for our industry!



Contact us

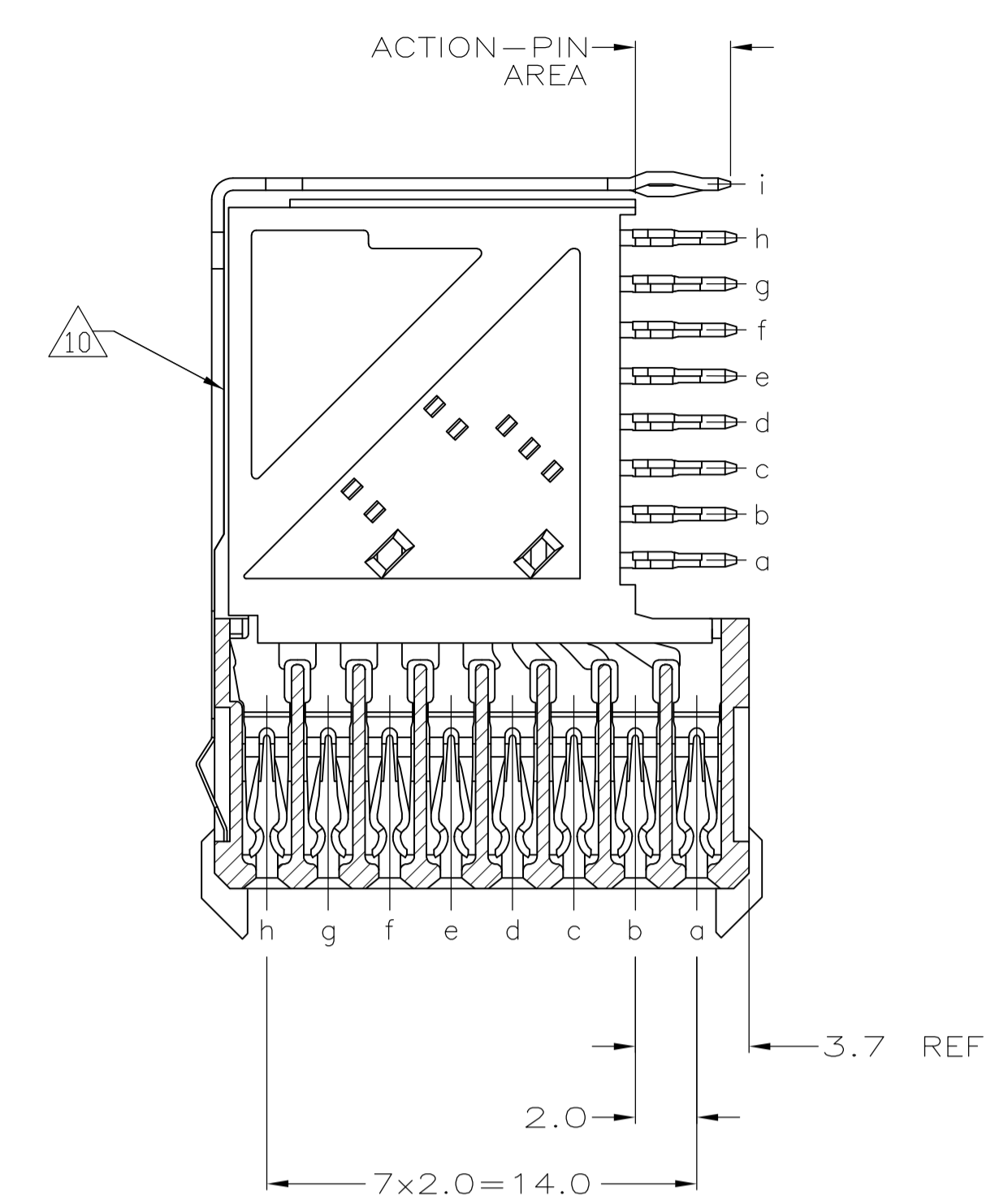
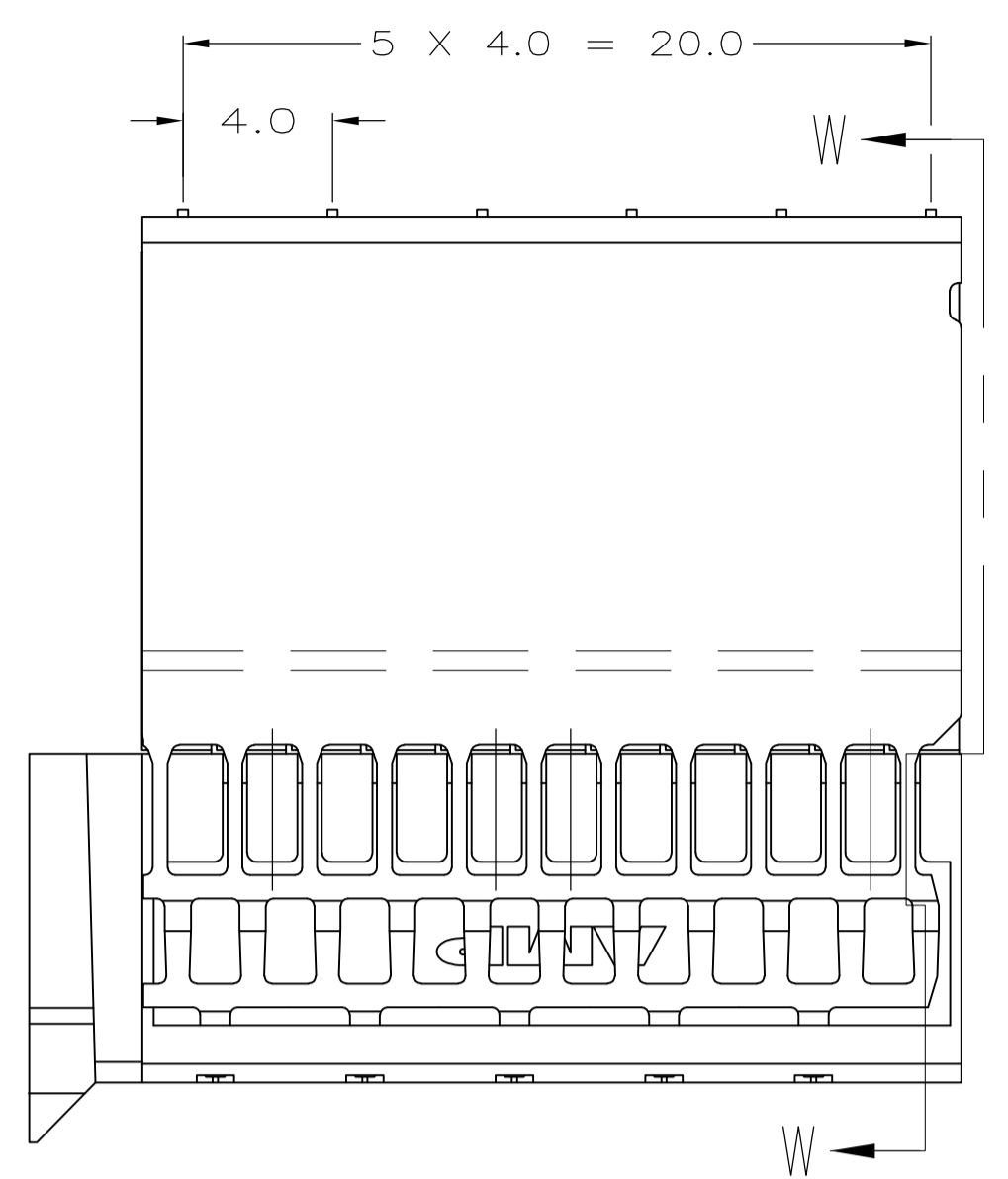
Tel: +86-755-8981 8866 Fax: +86-755-8427 6832

Email & Skype: info@chipsmall.com Web: www.chipsmall.com

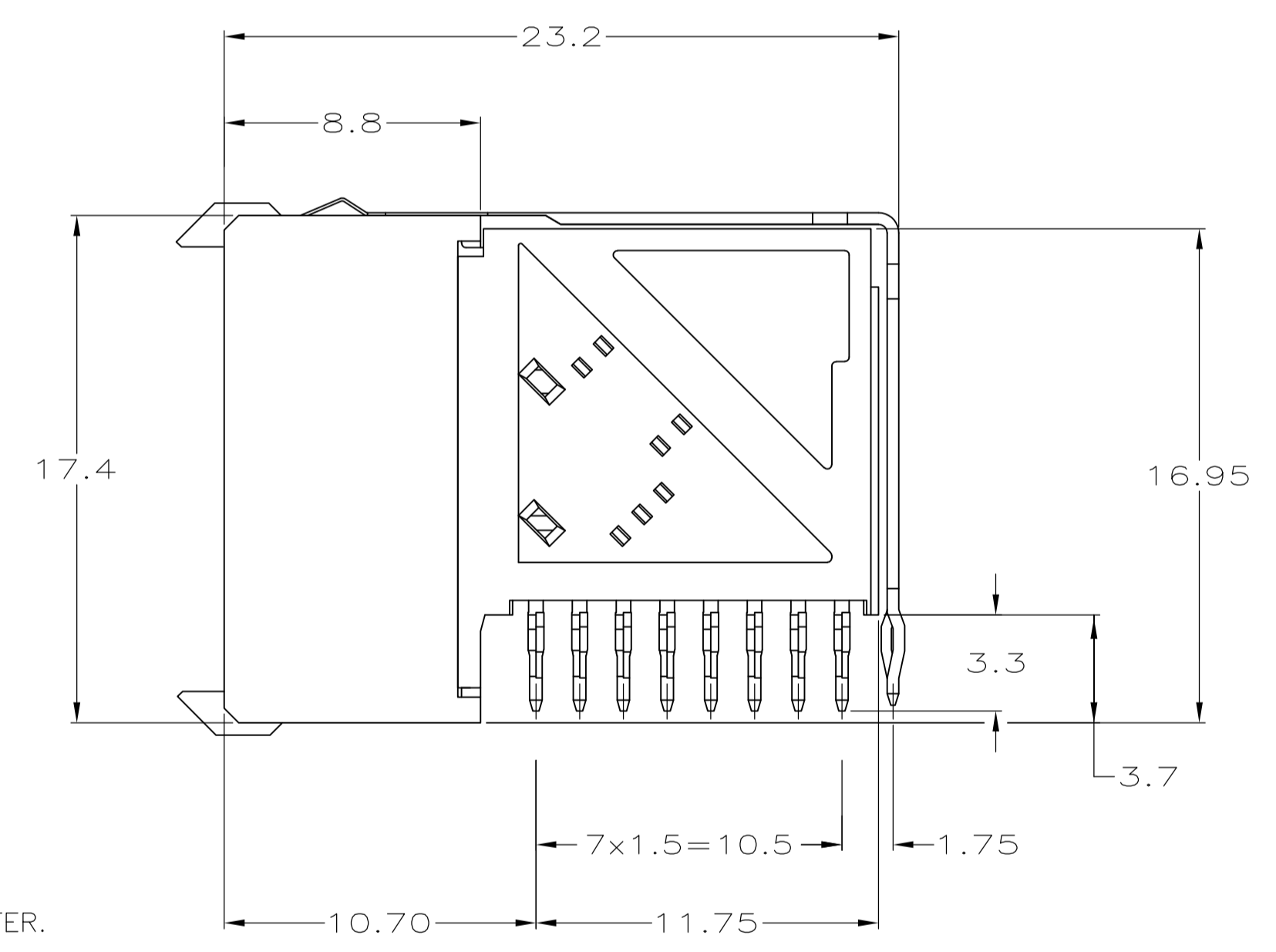
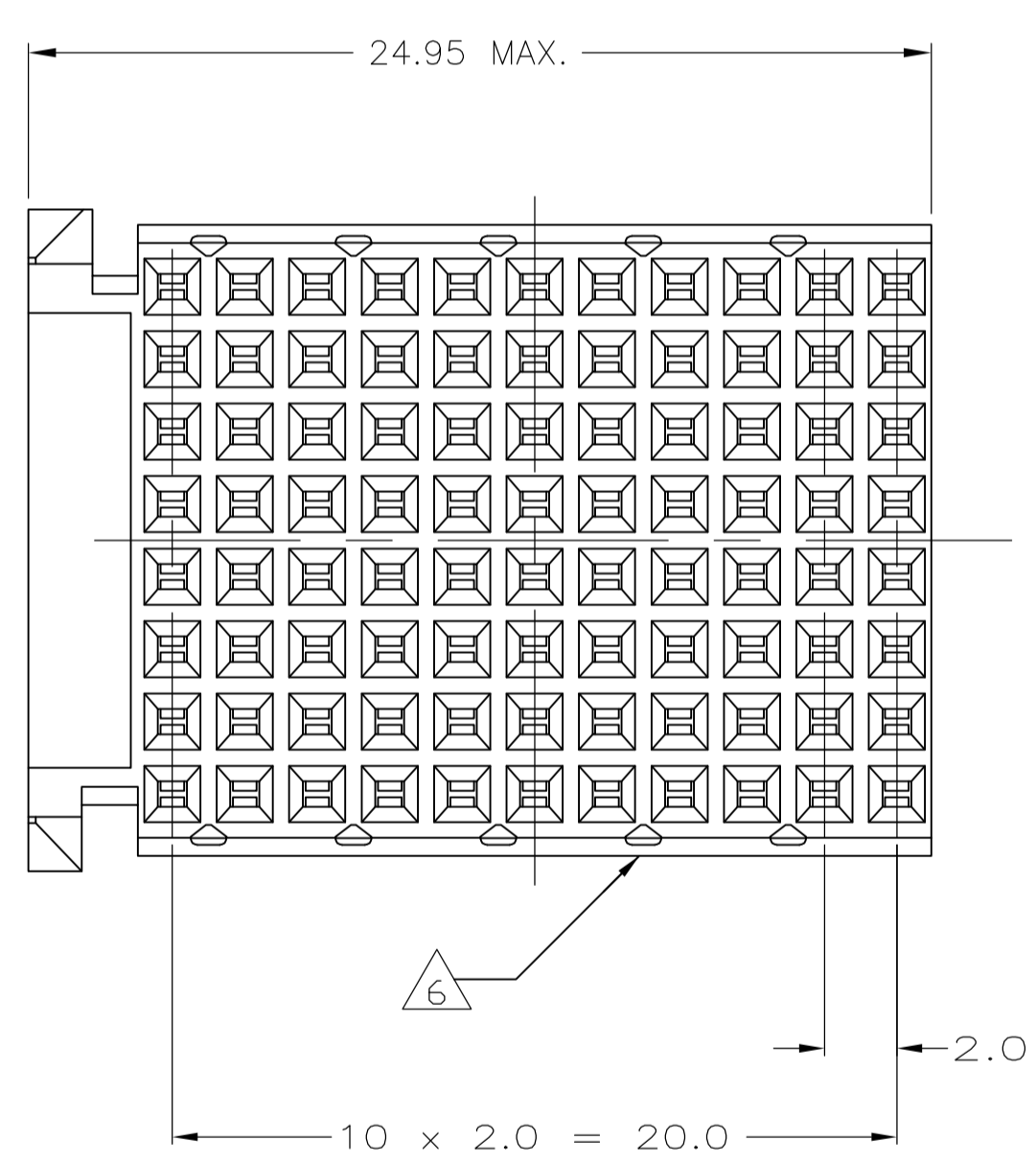
Address: A1208, Overseas Decoration Building, #122 Zhenhua RD., Futian, Shenzhen, China



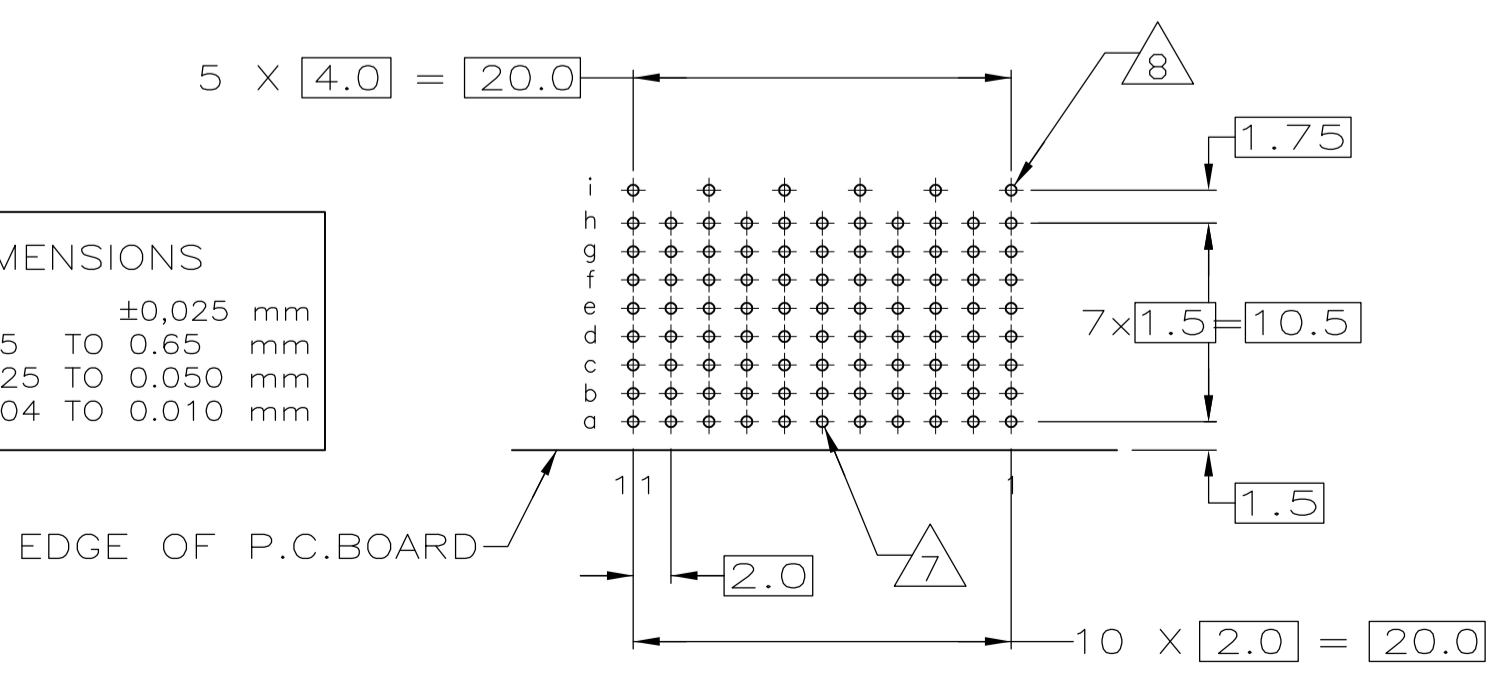
LOC		DIST		REVISIONS			
P	LTR	DESCRIPTION	DATE	DMN	APVD	SY	MOJ
D		REVISED PER ECO-11-004037	23FEB11	RC	CW		
E		ECO-11-024491	13DEC11	SY	MOJ		



SECTION W-W



PCB HOLE DIMENSIONS		
DRILLED HOLE	0.7	±0.025 mm
FIN. HOLE	0.55 TO 0.65	mm
Cu-thks	0.025 TO 0.050	mm
SnPb-thks	0.004 TO 0.010	mm



RECOMMENDED PCB HOLE LAYOUT
 COMPONENT SIDE
 SCALE 2.5:1

- 1 MATERIAL:
 CONTACT: PHOSPHOR BRONZE.
 HOUSING: GLASS-FILLED POLYESTER.
- 2 GENERAL PLATING SPECIFICATION: UNDERPLATING
 (ENTIRE CONTACT): 1.27µm MIN NICKEL AND ACTION
 PIN: 0.5µm MIN TIN.
 FOR PLATING OF MATING SURFACES SEE APPLICABLE
 SPECIFICATION REFERENCE FOR EACH DASH NUMBER.
- 3 CONFORMS TO ALL TESTING ACCORDING TO IEC 61076-4-101
 PERFORMANCE LEVEL 2.
- 4 CONNECTOR TESTED AND QUALIFIED AGAINST TELCORDIA GR-1217-CORE QUALITY LEVEL 3,
 CENTRAL OFFICE APPLICATIONS.
- 5 CONNECTOR TESTED AND QUALIFIED AGAINST TELCORDIA GR-1217-CORE QUALITY LEVEL 3,
 UNCONTROLLED ENVIROMENT APPLICATIONS.
- 6 CONNECTOR MARKED WITH PART NUMBER AND DATE CODE.
 ADDITIONAL CHARACTERS OR MARKINGS, AS WELL AS THE LOCATION OF THE MARKINGS,
 MAY BE ADDED FOR TRACEABILITY BASED UPON MANUFACTURERS DISCRETION.
- 7 PLATED-THROUGH HOLES AT 2x1.5mm GRID
 88 TOTAL HOLES.
- 8 ROW "i" 6 PLATED THROUGH HOLES FOR UPPERSHIELD.
- 9 CONNECTOR & SHIELD LUBRICATED WITH BELCORE APPROVED LUBRICANT,
 TECHNICAL REFERENCE: TR-NWT-001217 ISSUE 1, SEP 1992.
- 10 SHIELD MOUNTED ON CONNECTOR WITH DOUBLE SIDED ADHESIVE TAPE
 OR ADHESIVE.

OBSOLETE	2 5 9	1-5646492-9
OBSOLETE	2 4 9	5646492-9
	2 3	5646492-1
	FINISH	PART NUMBER

THIS DRAWING IS A CONTROLLED DOCUMENT.		DIN B CARBO 28JUL05	Tyco Electronics Corporation Harrisburg, PA 17105-3608	
DIMENSIONS: mm		CHK G SKIPPER 28JUL05	NAME R/A RECEPTACLE ASSY, 88 POSN, TTR 8 ROW, TYPE F, Z-PACK 2mm HM	
TOLERANCES UNLESS OTHERWISE SPECIFIED: 0-PLC ± 1-PLC ±0.1 2-PLC ± 3-PLC ± 4-PLC ± ANGLES		APVD G SKIPPER 28JUL05	APPLICATION SPEC	
MATERIAL 1		FINISH SEE TABLE	WEIGHT	RESTRICTED TO
		SIZE A1	CAGE CODE 00779	DRAWING NO C=5646492
		CUSTOMER DRAWING	SCALE 5:1	SHEET 1 OF 1 REV E