



Chipsmall Limited consists of a professional team with an average of over 10 year of expertise in the distribution of electronic components. Based in Hongkong, we have already established firm and mutual-benefit business relationships with customers from,Europe,America and south Asia,supplying obsolete and hard-to-find components to meet their specific needs.

With the principle of “Quality Parts,Customers Priority,Honest Operation,and Considerate Service”,our business mainly focus on the distribution of electronic components. Line cards we deal with include Microchip,ALPS,ROHM,Xilinx,Pulse,ON,Everlight and Freescale. Main products comprise IC,Modules,Potentiometer,IC Socket,Relay,Connector.Our parts cover such applications as commercial,industrial, and automotives areas.

We are looking forward to setting up business relationship with you and hope to provide you with the best service and solution. Let us make a better world for our industry!



Contact us

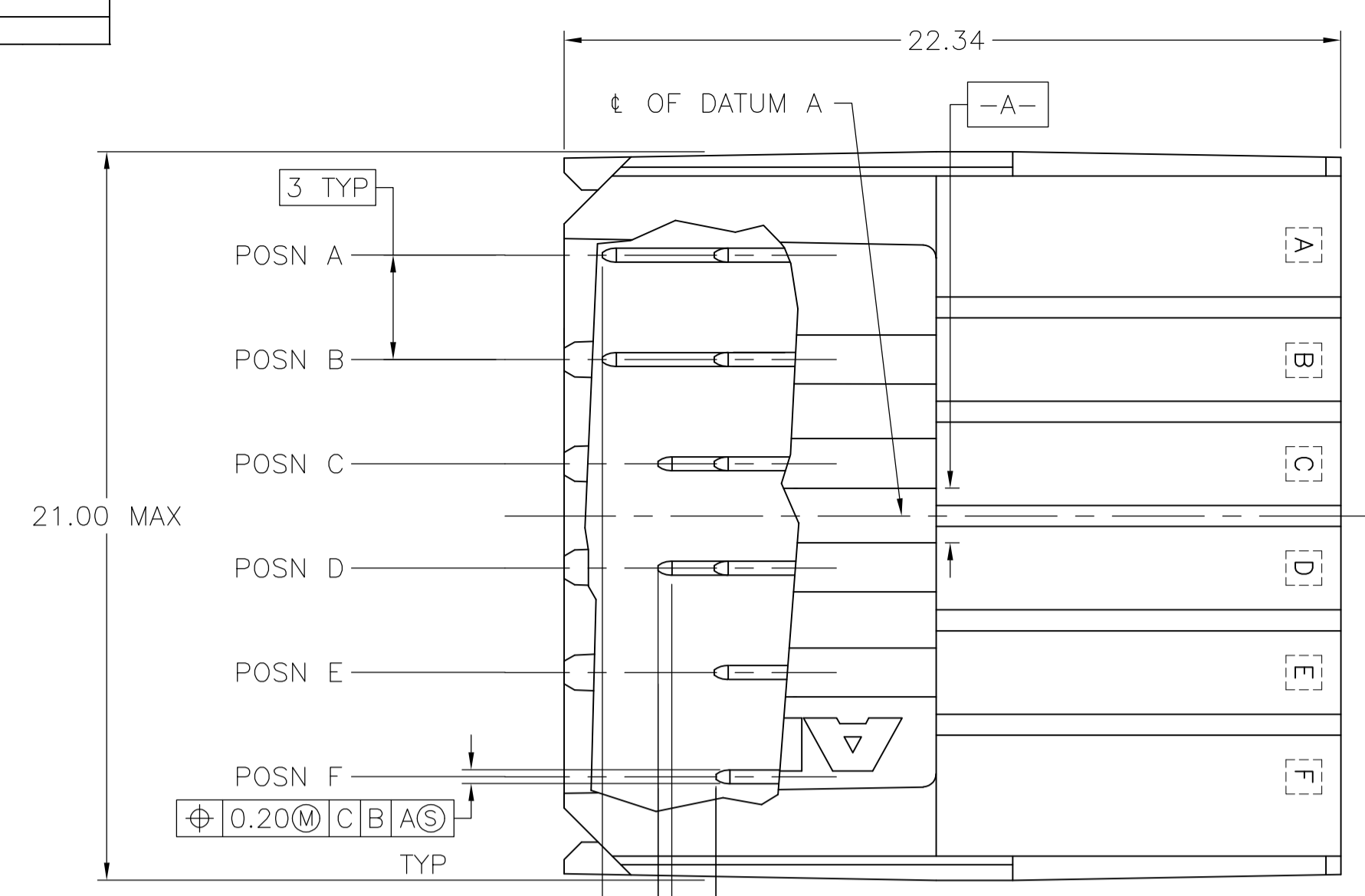
Tel: +86-755-8981 8866 Fax: +86-755-8427 6832

Email & Skype: info@chipsmall.com Web: www.chipsmall.com

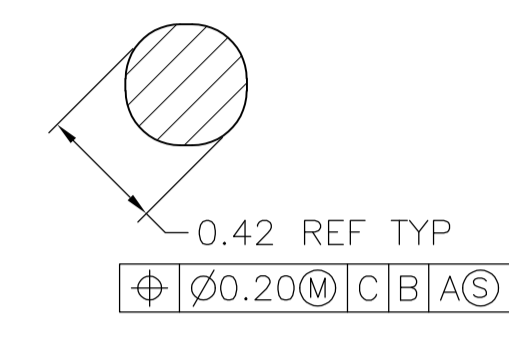
Address: A1208, Overseas Decoration Building, #122 Zhenhua RD., Futian, Shenzhen, China



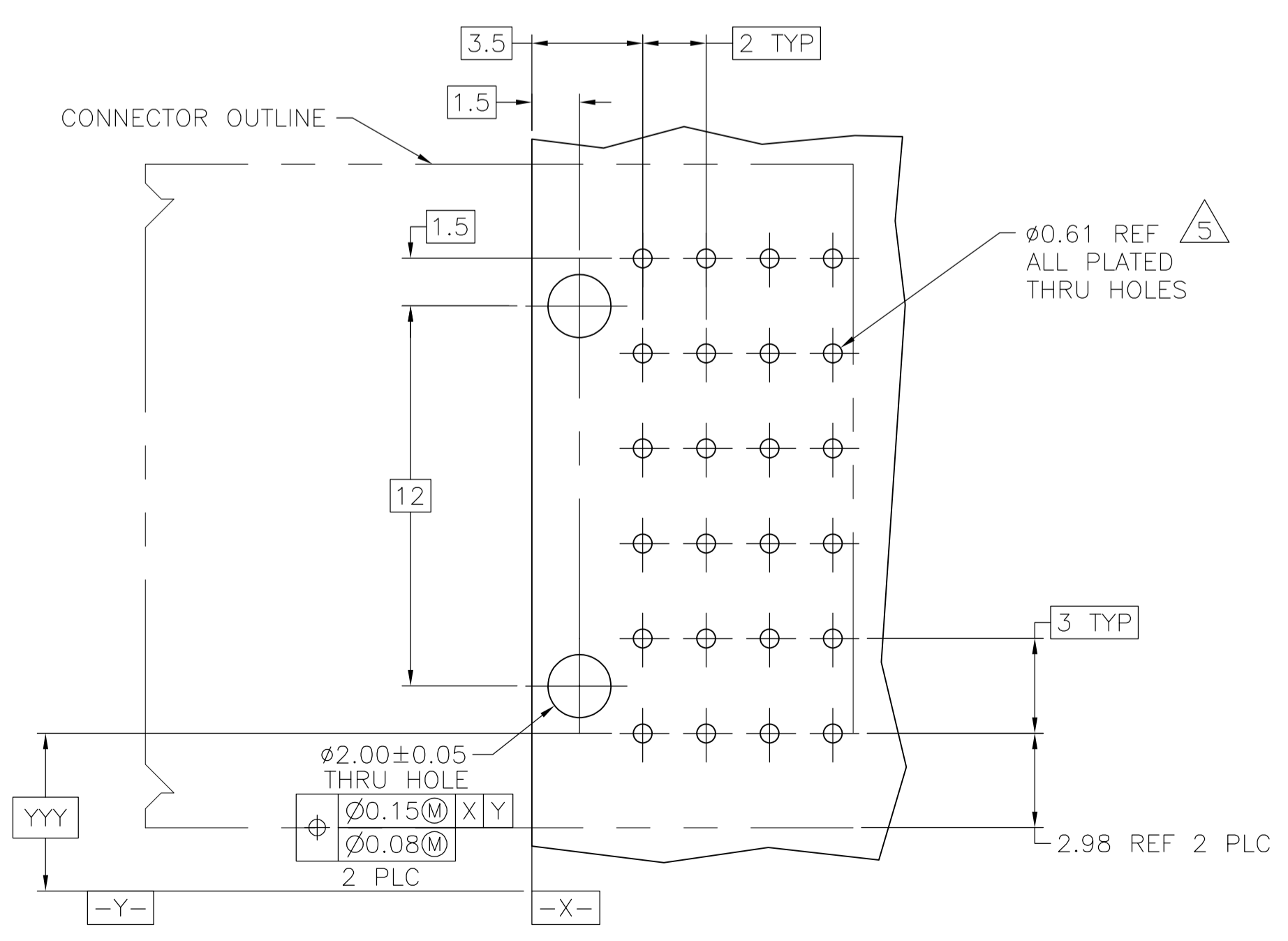
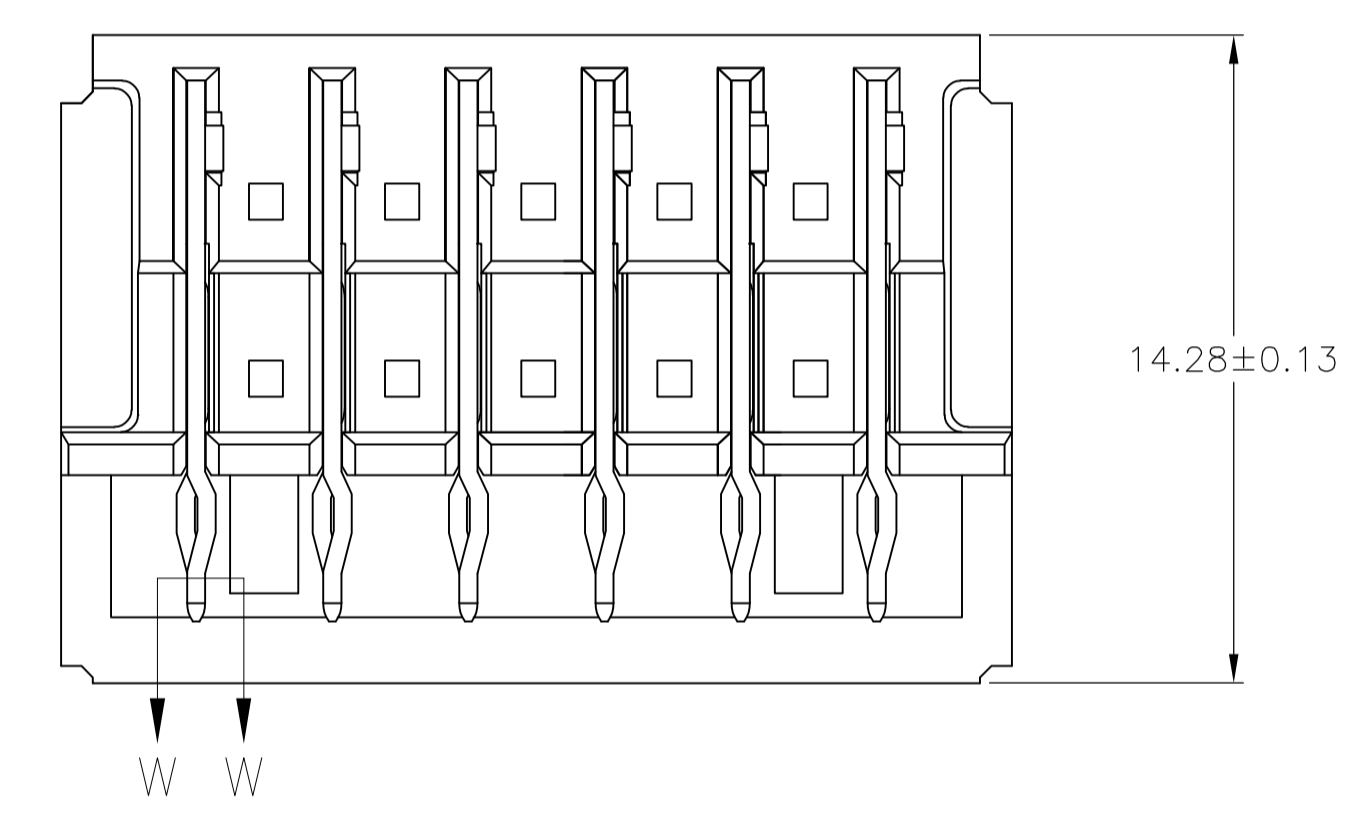
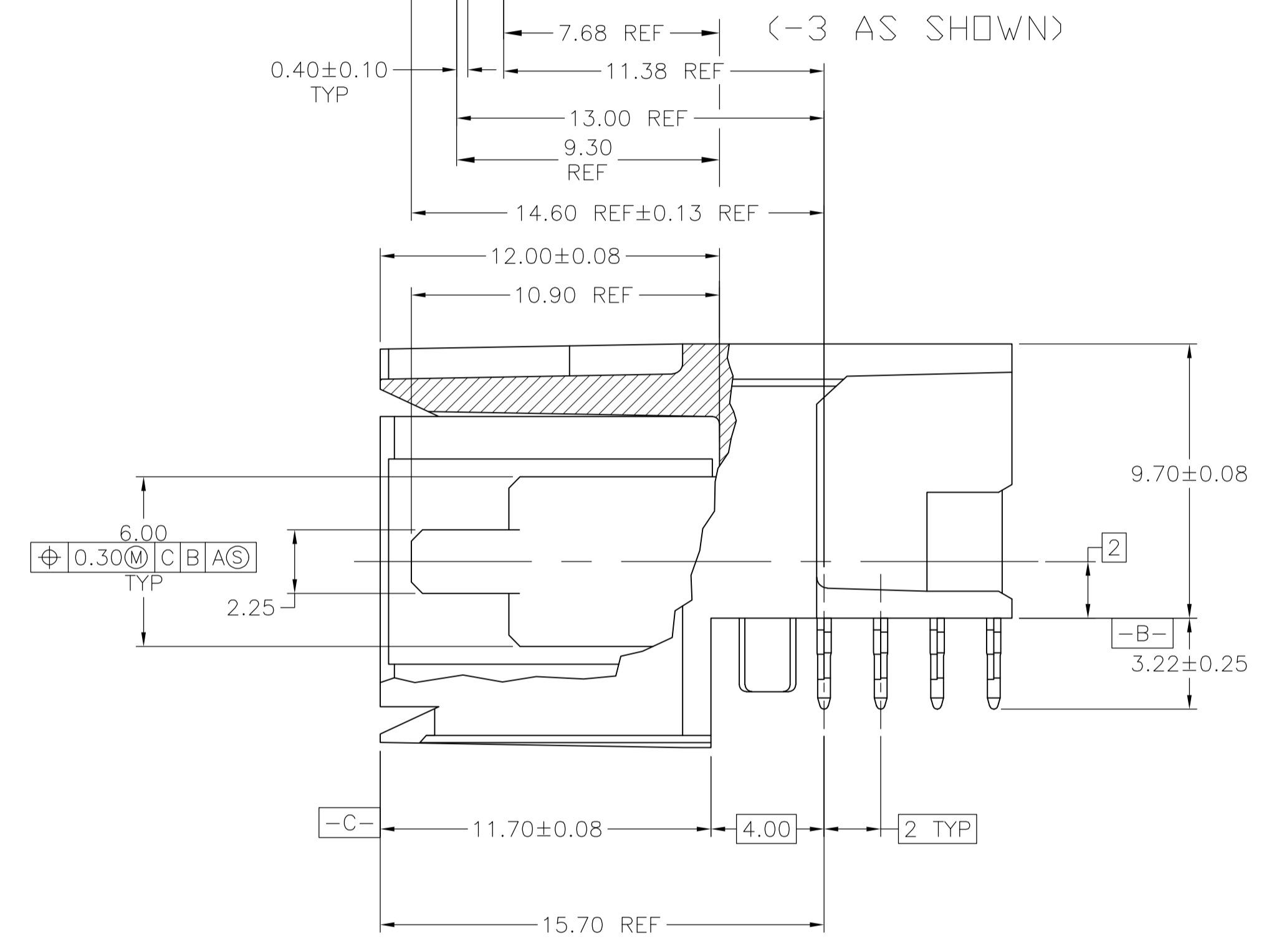
LOC		DIST		REVISIONS				
AD	00	REV	DATE	BY	CHK	APPV		
E2	REVISED PER ECO-12-010077	01JUN12	KH	AS				



- 1 MATERIAL: HOUSING: POLYESTER. COLOR: GRAY. UL 94V-0. CONTACT: PHOSPHOR BRONZE.
- 2 FINISH: CONTACT MATING AREA: 1.27µm MIN GOLD OR 0.08µm MIN GOLD OVER 0.76µm MIN PALLADIUM-NICKEL. ACTION PIN AREA: 0.5µm MIN TIN PLATE, ALL OVER 1.27µm MIN NICKEL UNDERPLATE.
- 3 FINISH: CONTACT LUBRICATION WITH BELLCORE APPROVED LUBRICANT. TECHNICAL REFERENCE: GR-1217-CORE, ISSUE 1, NOVEMBER 1995.
- 4 THE 10.26±0.13 DIMENSION APPLIES IN THIS AREA.
- 5 REFERENCE APPLICATION SPEC 114-1103 FOR RECOMMENDED PLATED THRU HOLE DIAMETER AND PLATING THICKNESS.
- 6. CURRENT RATING 10A/CONTACT PER PRODUCT SPEC 108-1651.



SECTION W-W
SCALE 40:1



RECOMMENDED PCB HOLE LAYOUT

FINISH	POSITIONS LOADED WITH 10.90 CONTACTS (2)	POSITIONS LOADED WITH 9.30 CONTACTS (3)	POSITIONS LOADED WITH 7.68 CONTACTS (4)	NO OF LOADED POSITIONS	PART NUMBER
2,3	D,E,F	-	A,B,C	6	5646956-7
2,3	-	A,B,C,D	E,F	6	5646956-6
2,3	A,B	D,E,F	C	6	5646956-5
2,3	A,D,E,F	B	C	6	5646956-4
2,3	A,B	C,D	E,F	6	5646956-3
2,3	A,F	B,C,D,E	-	6	5646956-2
2,3	A,B,C,D,E,F	-	-	6	5646956-1

THIS DRAWING IS A CONTROLLED DOCUMENT.

DIMENSIONS: mm	TOLERANCES UNLESS OTHERWISE SPECIFIED:	DIN B CARBO 04JAN05	STE TE Connectivity
0 PLC ± -	1 PLC ± 0.13	CHK R PATTERSON 04JAN05	NAME ASSEMBLY, RIGHT ANGLE HEADER, W/ RETENTION PEGS, UNIVERSAL POWER MODULE
2 PLC ± -	3 PLC ± -	APPV R PATTERSON 04JAN05	SIZE A1
4 PLC ± -	ANGLES ± -	APPLICATION SPEC	SCALE 6:1
MATERIAL 1	FINISH 2	WEIGHT -	DRAWING NO 00779
			CUSTOMER DRAWING

RESTRICTED TO SHEET 1 OF 1 REV E2