



Chipsmall Limited consists of a professional team with an average of over 10 year of expertise in the distribution of electronic components. Based in Hongkong, we have already established firm and mutual-benefit business relationships with customers from,Europe,America and south Asia,supplying obsolete and hard-to-find components to meet their specific needs.

With the principle of “Quality Parts,Customers Priority,Honest Operation,and Considerate Service”,our business mainly focus on the distribution of electronic components. Line cards we deal with include Microchip,ALPS,ROHM,Xilinx,Pulse,ON,Everlight and Freescale. Main products comprise IC,Modules,Potentiometer,IC Socket,Relay,Connector.Our parts cover such applications as commercial,industrial, and automotives areas.

We are looking forward to setting up business relationship with you and hope to provide you with the best service and solution. Let us make a better world for our industry!



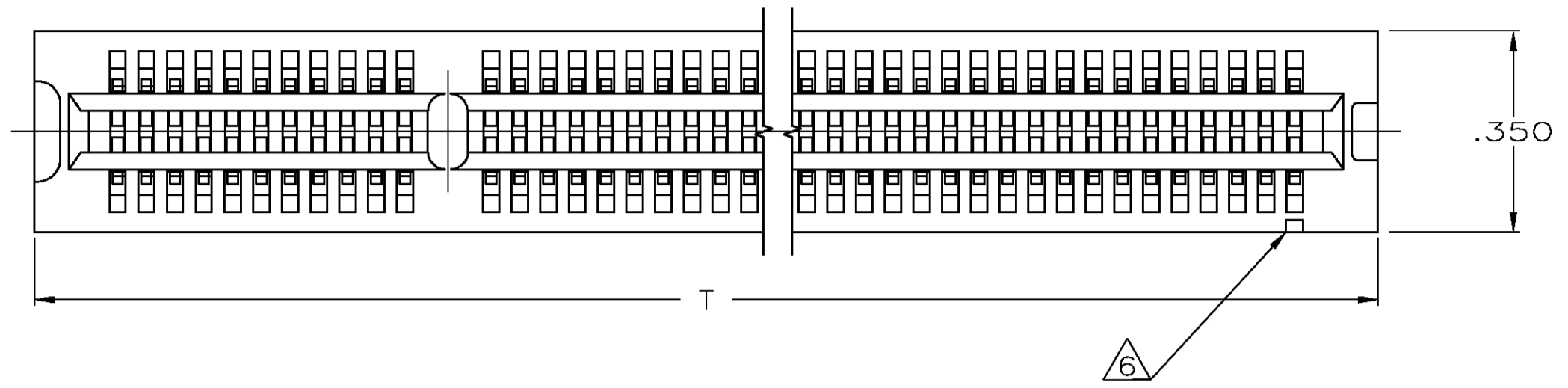
## Contact us

Tel: +86-755-8981 8866 Fax: +86-755-8427 6832

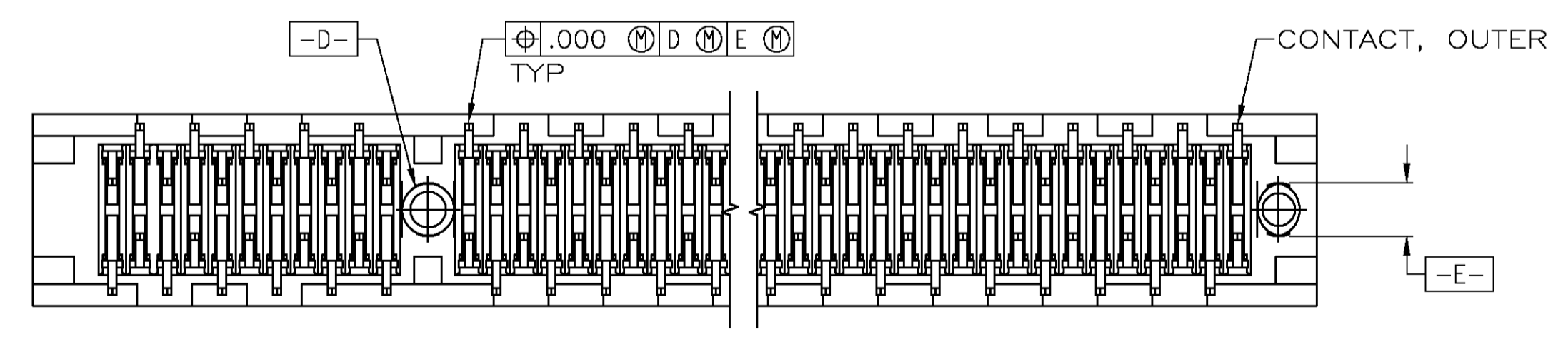
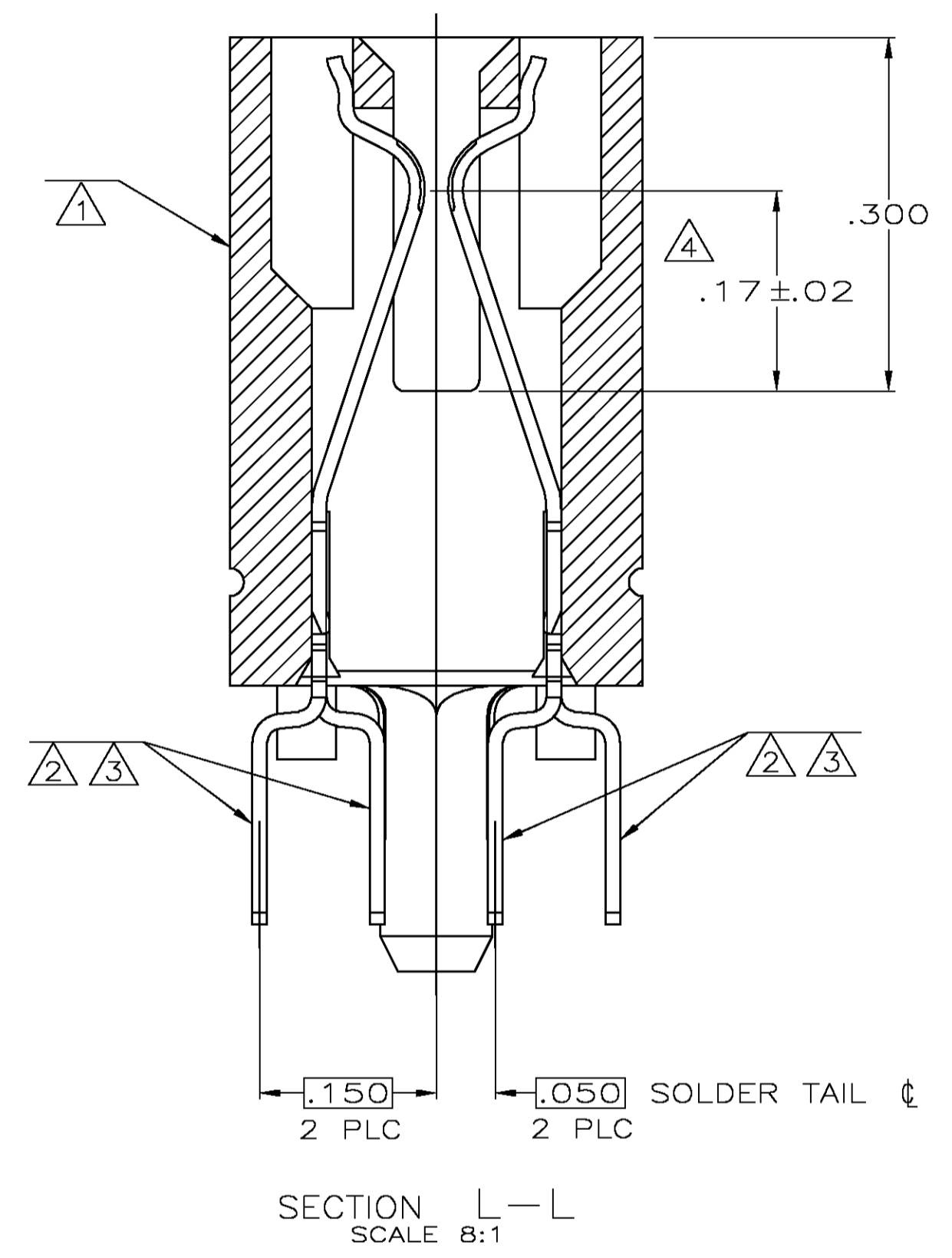
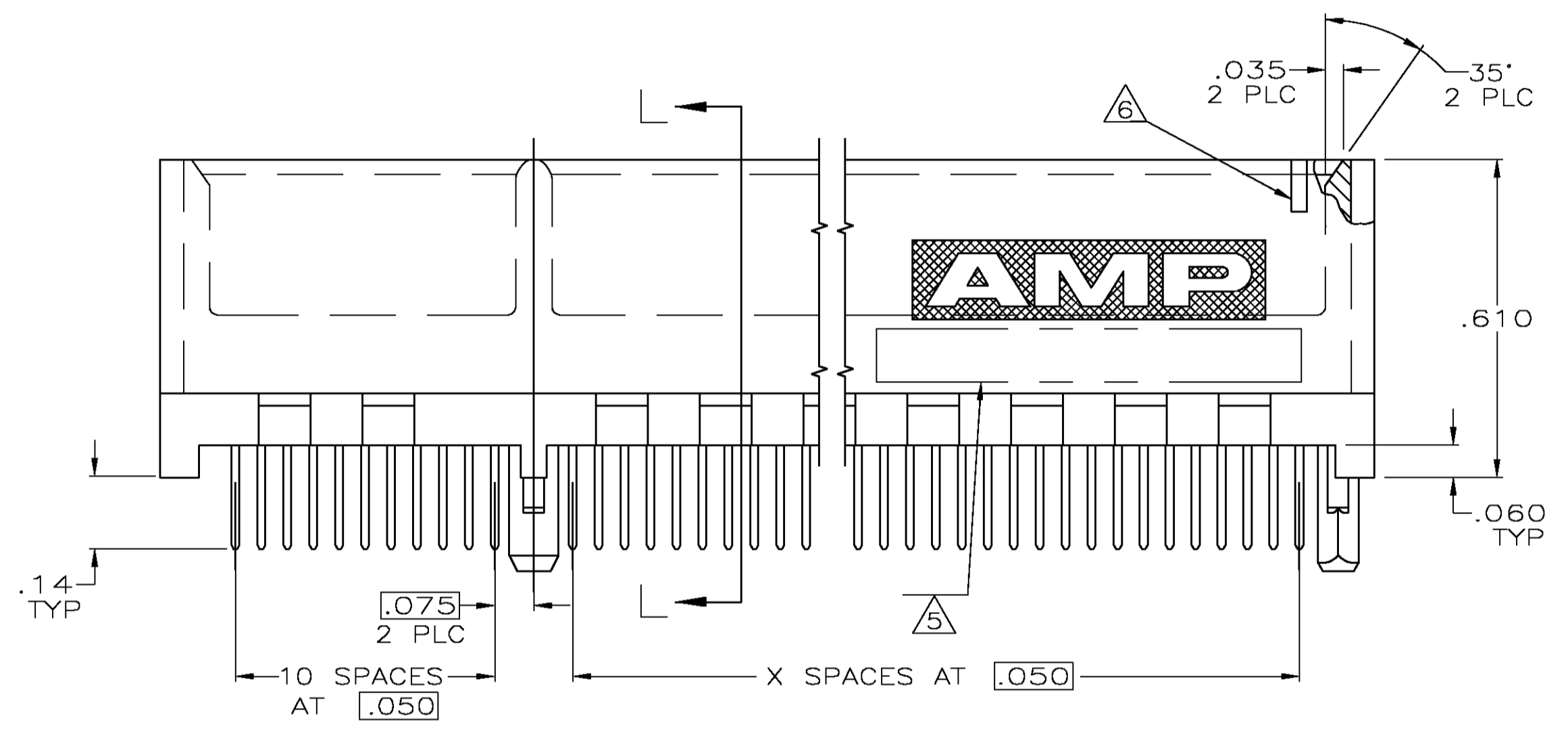
Email & Skype: info@chipsmall.com Web: www.chipsmall.com

Address: A1208, Overseas Decoration Building, #122 Zhenhua RD., Futian, Shenzhen, China





- ① HOUSING: HIGH TEMPERATURE THERMOPLASTIC. COLOR: BROWN.
- ② CONTACT: PHOSPHOR BRONZE.
- ③ CONTACT FINISH: .000100 MIN NICKEL ALL OVER. .00030 MIN GOLD OVER NICKEL IN CONTACT AREA. .000100 MIN MATTE TIN OVER NICKEL ON SOLDER TAILS.
- ④ DISTANCE FROM CONTACT POINT TO BOTTOM OF CARD SLOT.
- ⑤ AMP PART NUMBER, DATE CODE AND CSA LOGO MARKED IN APPROXIMATE AREA SHOWN.
- ⑥ PIN ONE IDENTIFIER NOTCH ONLY ON PART NUMBERS INDICATED.



SEE SHEET 2 FOR HOLE PATTERNS

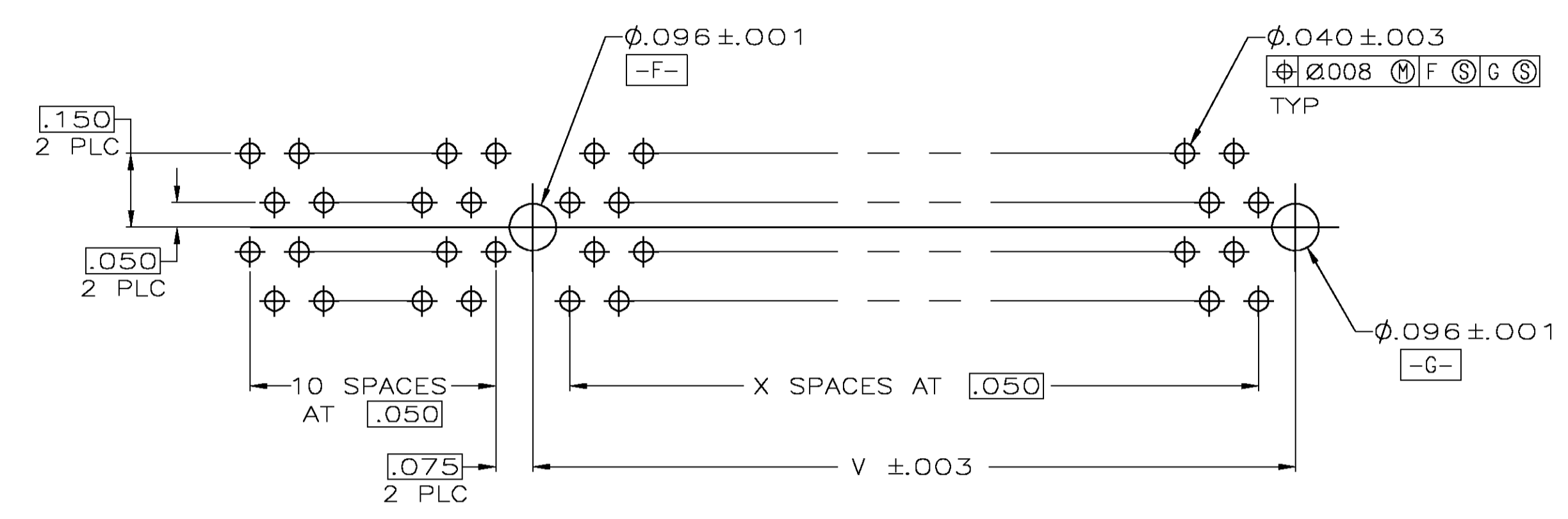
NO	B	.700	.660	1.49	1.1	23	5650181-3
NO	A	1.550	1.510	2.34	28	40	5650181-2
YES	A	2.350	2.310	3.14	44	56	5650181-1
PIN ONE IDENTIFIER	HOLE PATTERN	V	U	T	X	NO OF DUAL POSN	PART NUMBER

THIS DRAWING IS A CONTROLLED DOCUMENT.

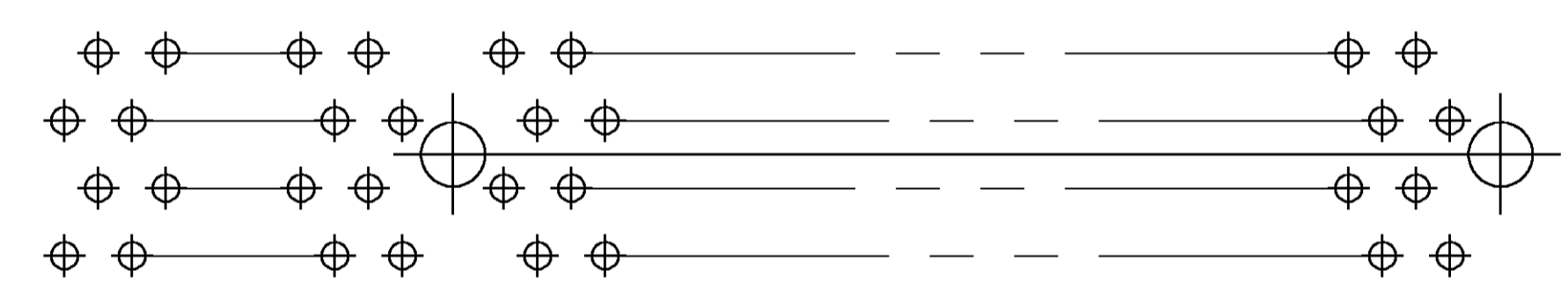
DIMENSIONS: INCHES	TOLERANCES UNLESS OTHERWISE SPECIFIED:	AL FRANTUM 24 JUN 05	AL FRANTUM 24 JUN 05	AL FRANTUM 24 JUN 05	AL FRANTUM 24 JUN 05	AL FRANTUM 24 JUN 05	AL FRANTUM 24 JUN 05
0 PLC ± -	1 PLC ± -	2 PLC ± .01	3 PLC ± .005	4 PLC ± -	ANGLES ± Z	PRODUCT SPEC 108-14034	APPLICATION SPEC 114-26012
MATERIAL	FINISH	SIZE	WEIGHT	CAGE CODE	DRAWING NO	RESTRICTED TO	
		A1		00779	5650181		
CUSTOMER DRAWING		SCALE	SHEET	REV			
		4:1	1 OF 2	0			

tyco Electronics Tyco Electronics Corporation  
 Harrisburg, Pa 17105-3608

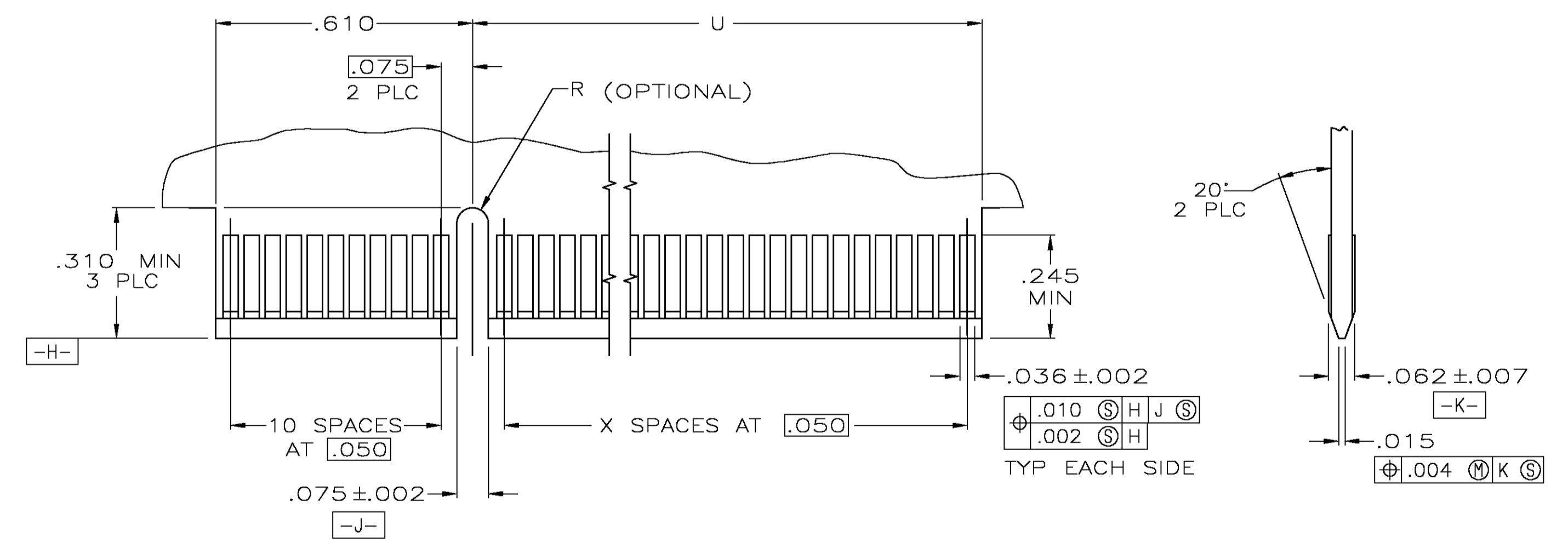
CONNECTOR ASSEMBLY, DUAL POSITION, .050 SERIES.



RECOMMENDED CONNECTOR MOUNTING HOLE PATTERN A  
 (CONNECTOR SIDE SHOWN)



RECOMMENDED CONNECTOR MOUNTING HOLE PATTERN B  
 (CONNECTOR SIDE SHOWN)



RECOMMENDED MATING BOARD EDGE CONFIGURATION

THIS DRAWING IS A CONTROLLED DOCUMENT.		DN AL FRANTUM 24 JUN 05		Tyco Electronics Corporation Harrisburg, Pa 17105-3608
DIMENSIONS: INCHES		CHK AL FRANTUM 24 JUN 05		NAME
TOLERANCES UNLESS OTHERWISE SPECIFIED:		APVD	PRODUCT SPEC	RESTRICTED TO
0 PLC ± -	1 PLC ± .01		108-14034	
2 PLC ± .01	3 PLC ± .005		APPLICATION SPEC	
4 PLC ± - Z	ANGLES ± - Z		114-26012	
MATERIAL SEE SHEET 1	FINISH SEE SHEET 1	WEIGHT -	SIZE A1	CAGE CODE 00779
			DRAWING NO. C=5650181	REV 0
CUSTOMER DRAWING			SCALE 4:1	SHEET 2 OF 2