



Chipsmall Limited consists of a professional team with an average of over 10 year of expertise in the distribution of electronic components. Based in Hongkong, we have already established firm and mutual-benefit business relationships with customers from,Europe,America and south Asia,supplying obsolete and hard-to-find components to meet their specific needs.

With the principle of “Quality Parts,Customers Priority,Honest Operation,and Considerate Service”,our business mainly focus on the distribution of electronic components. Line cards we deal with include Microchip,ALPS,ROHM,Xilinx,Pulse,ON,Everlight and Freescale. Main products comprise IC,Modules,Potentiometer,IC Socket,Relay,Connector.Our parts cover such applications as commercial,industrial, and automotives areas.

We are looking forward to setting up business relationship with you and hope to provide you with the best service and solution. Let us make a better world for our industry!



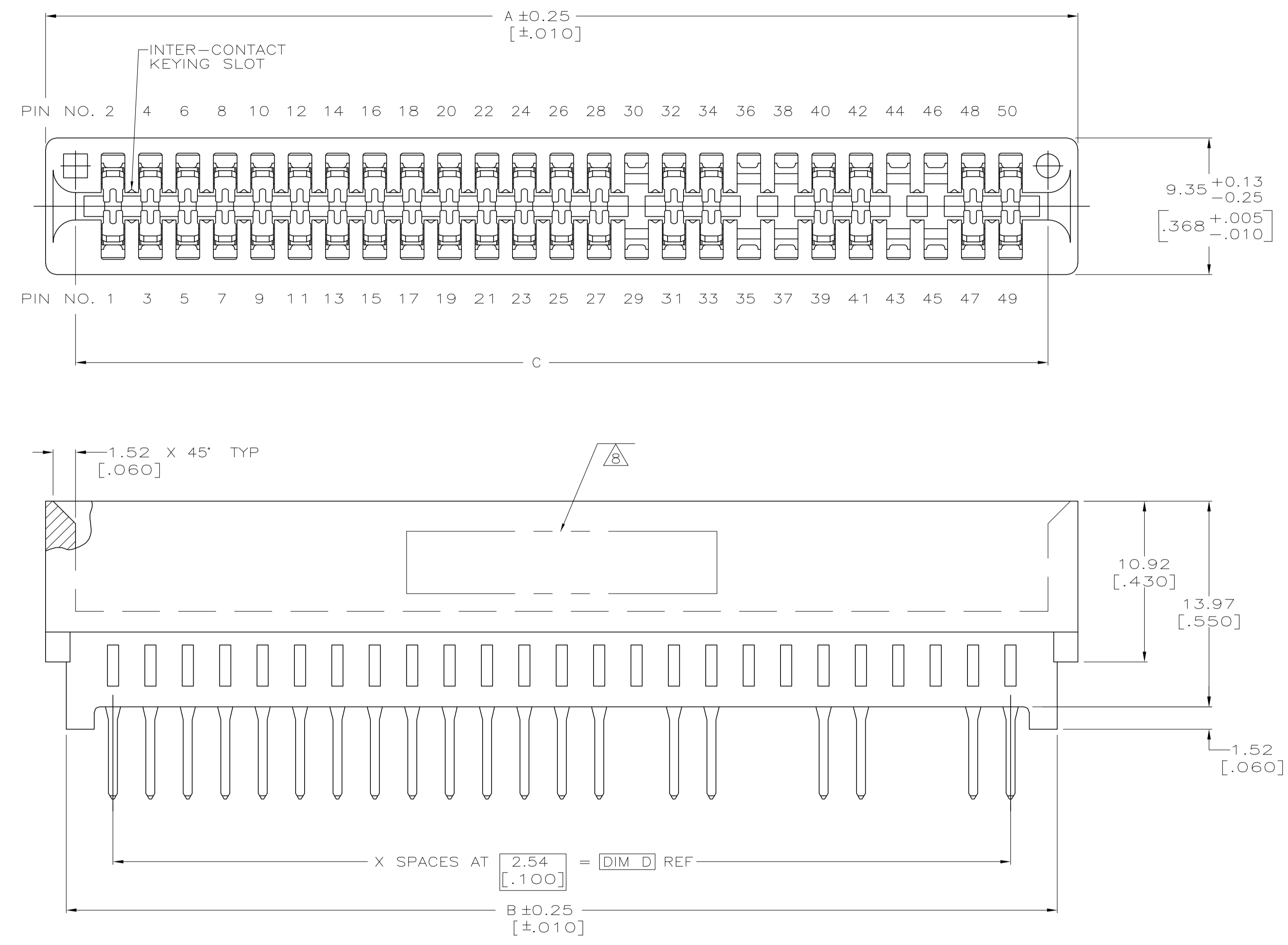
## Contact us

Tel: +86-755-8981 8866 Fax: +86-755-8427 6832

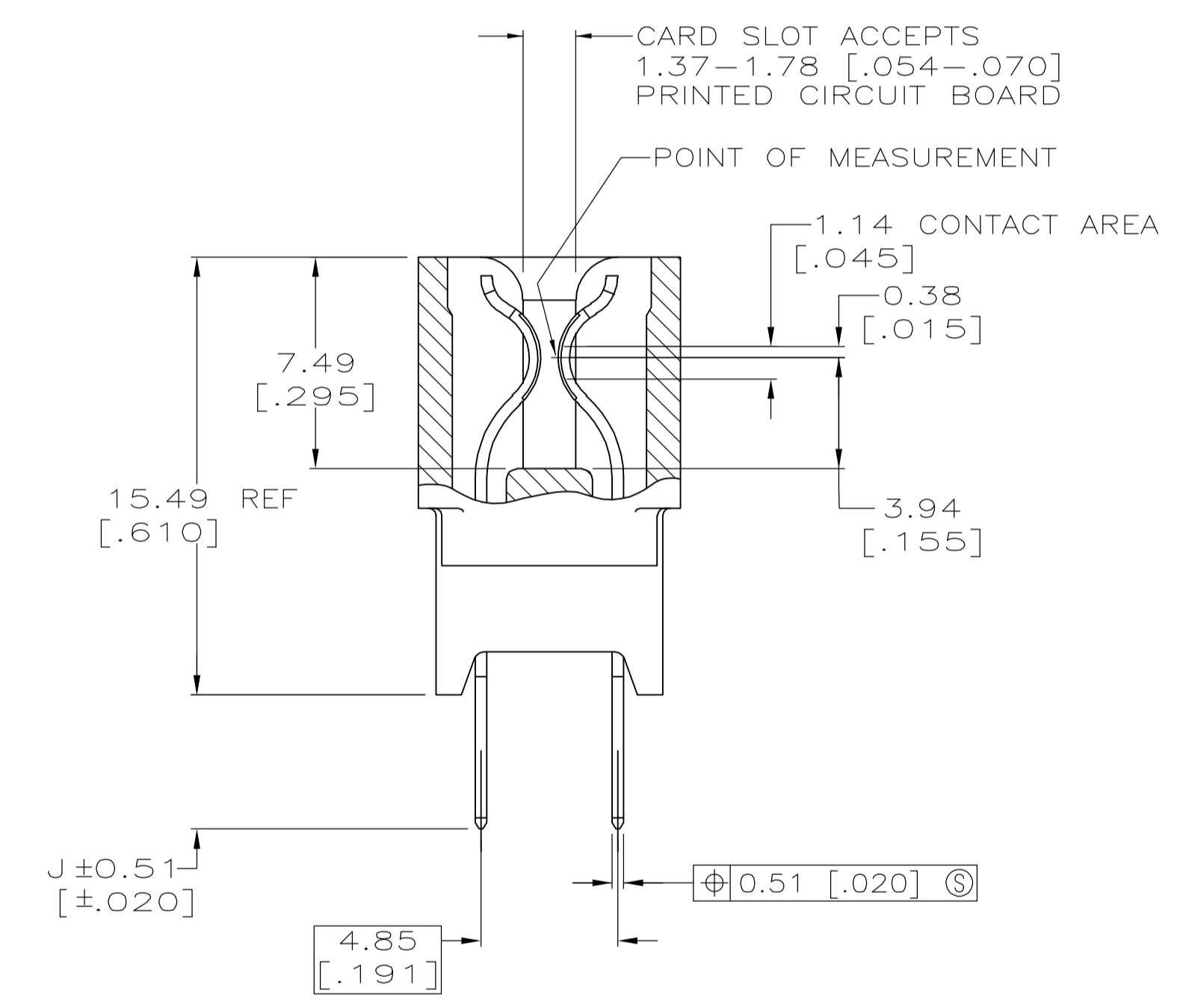
Email & Skype: info@chipsmall.com Web: www.chipsmall.com

Address: A1208, Overseas Decoration Building, #122 Zhenhua RD., Futian, Shenzhen, China





- ① HOUSING: GLASS FILLED POLYESTER; COLOR: BLACK.
- ② CONTACT: PHOSPHOR BRONZE.
- ③ NICKEL PLATE: 0.00127 [.000050] MIN - ALL OVER.
- ④ MATTE TIN PLATE: 0.00254 [.000100] MIN - SOLDER POSTS.
- ⑤ GOLD PLATE: 0.00038 [.000015] MIN - CONTACT AREA.
- ⑥ GOLD PLATE: 0.00076 [.000030] MIN - CONTACT AREA.
- ⑦ NICKEL PLATE PER MIL-G-45204. GOLD PLATE PER QQ-N-290.
- ⑧ AMP PART NUMBER, DATE CODE AND CSA LOGO MAY BE MARKED IN APPROXIMATE AREA SHOWN, EITHER SIDE.
- 9. RECOMMENDED PCB FINISHED HOLE DIA: 1.02 $\pm$ 0.08 [.040 $\pm$ .003].
- 10. SELECT LOADED WITH CONTACTS 29, 30, 35 THRU 38 AND 43 THRU 46 REMOVED.



①	4.75 [.187]	60.96 [2.400]	66.04 [2.600]	67.31 [2.650]	70.10 [2.760]	24	25	5145487-1
FINISH	J	D	C	B	A	X	NO OF POSN	PART NUMBER
③④								
THIS DRAWING IS A CONTROLLED DOCUMENT.		DWN AL FRANTUM 15 AUG 05		Tyco Electronics Corporation		Harrisburg, Pa 17105-3608		
DIMENSIONS: mm		TOLERANCES UNLESS OTHERWISE SPECIFIED:		AL FRANTUM 15 AUG 05		NAME		
0 PLC $\pm$ -		1 PLC $\pm$ -		PRODUCT SPEC		CONNECTOR ASSEMBLY, STANDARD EDGE II, 2.54 [.100]		
2 PLC $\pm$ 0.13 [.005]		3 PLC $\pm$ -		APPLICATION SPEC		108-9039		
4 PLC $\pm$ -		ANGLES $\pm$ -		SIZE		CAGE CODE DRAWING NO		
MATERIAL		FINISH		WEIGHT		A1 00779 C=5145487		
①②③④⑤⑥⑦⑧		③④⑤⑥⑦⑧		CUSTOMER DRAWING		SCALE 5:1 SHEET 1 OF 1 REV A		