



Chipsmall Limited consists of a professional team with an average of over 10 year of expertise in the distribution of electronic components. Based in Hongkong, we have already established firm and mutual-benefit business relationships with customers from,Europe,America and south Asia,supplying obsolete and hard-to-find components to meet their specific needs.

With the principle of “Quality Parts,Customers Priority,Honest Operation,and Considerate Service”,our business mainly focus on the distribution of electronic components. Line cards we deal with include Microchip,ALPS,ROHM,Xilinx,Pulse,ON,Everlight and Freescale. Main products comprise IC,Modules,Potentiometer,IC Socket,Relay,Connector.Our parts cover such applications as commercial,industrial, and automotives areas.

We are looking forward to setting up business relationship with you and hope to provide you with the best service and solution. Let us make a better world for our industry!



Contact us

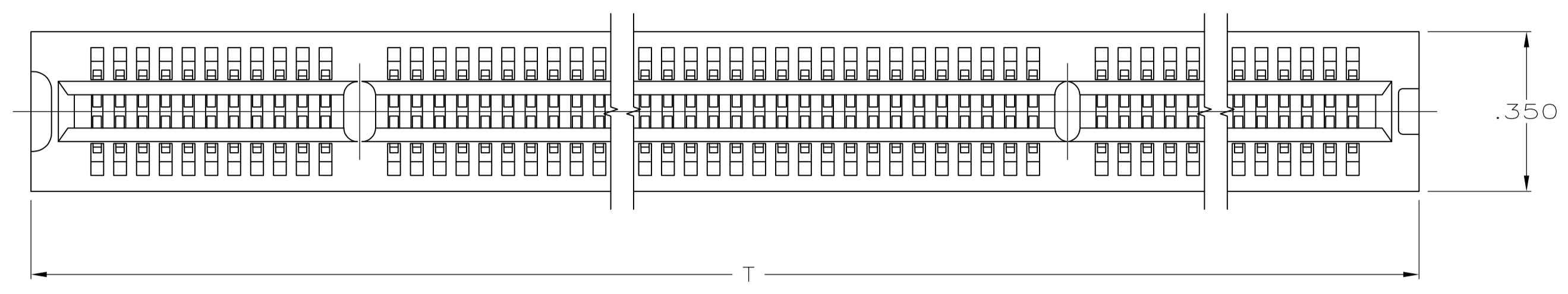
Tel: +86-755-8981 8866 Fax: +86-755-8427 6832

Email & Skype: info@chipsmall.com Web: www.chipsmall.com

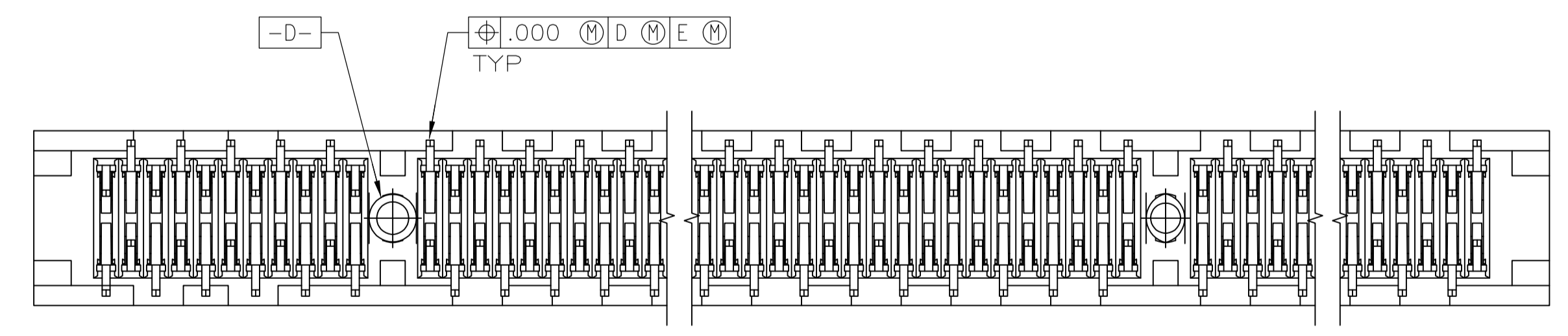
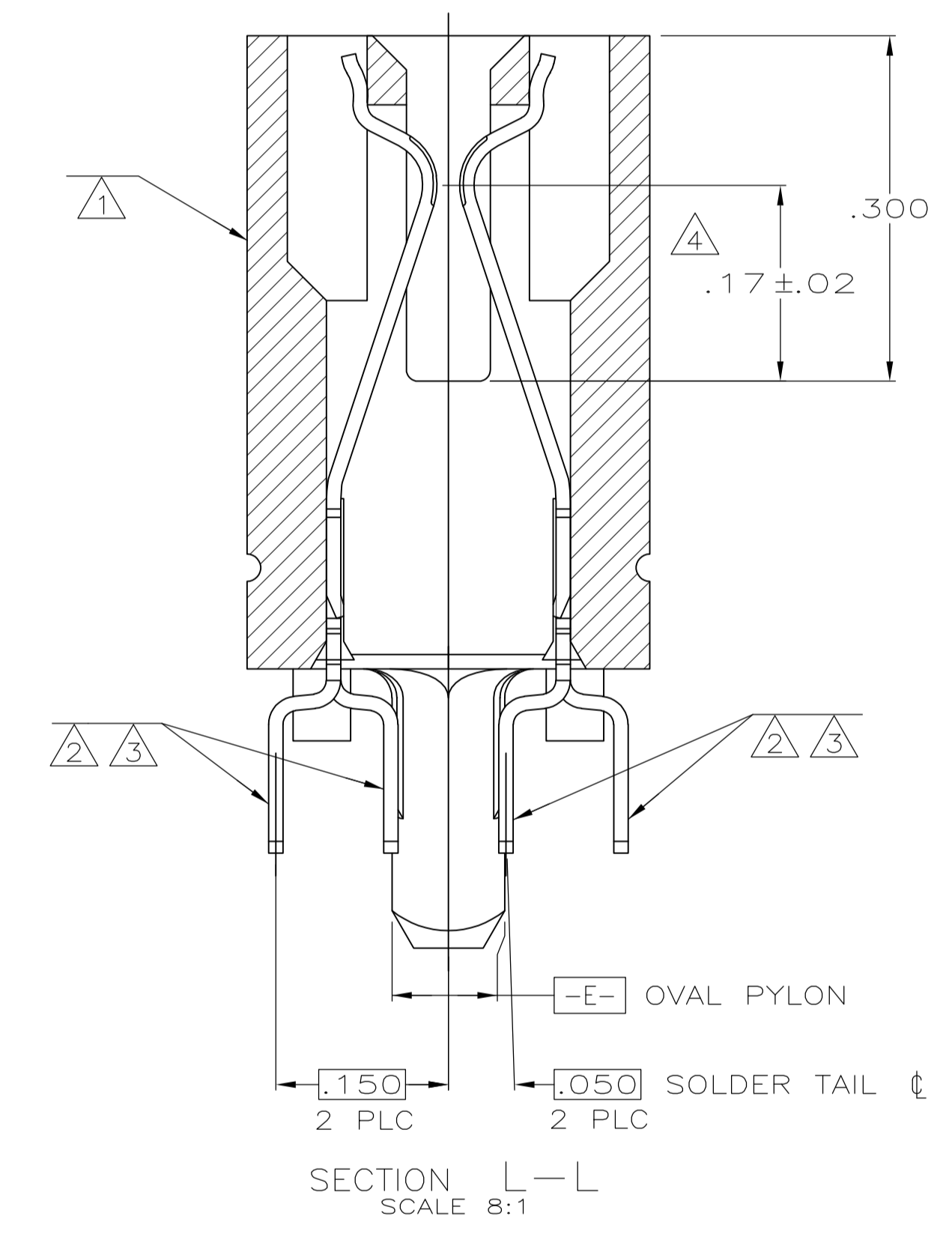
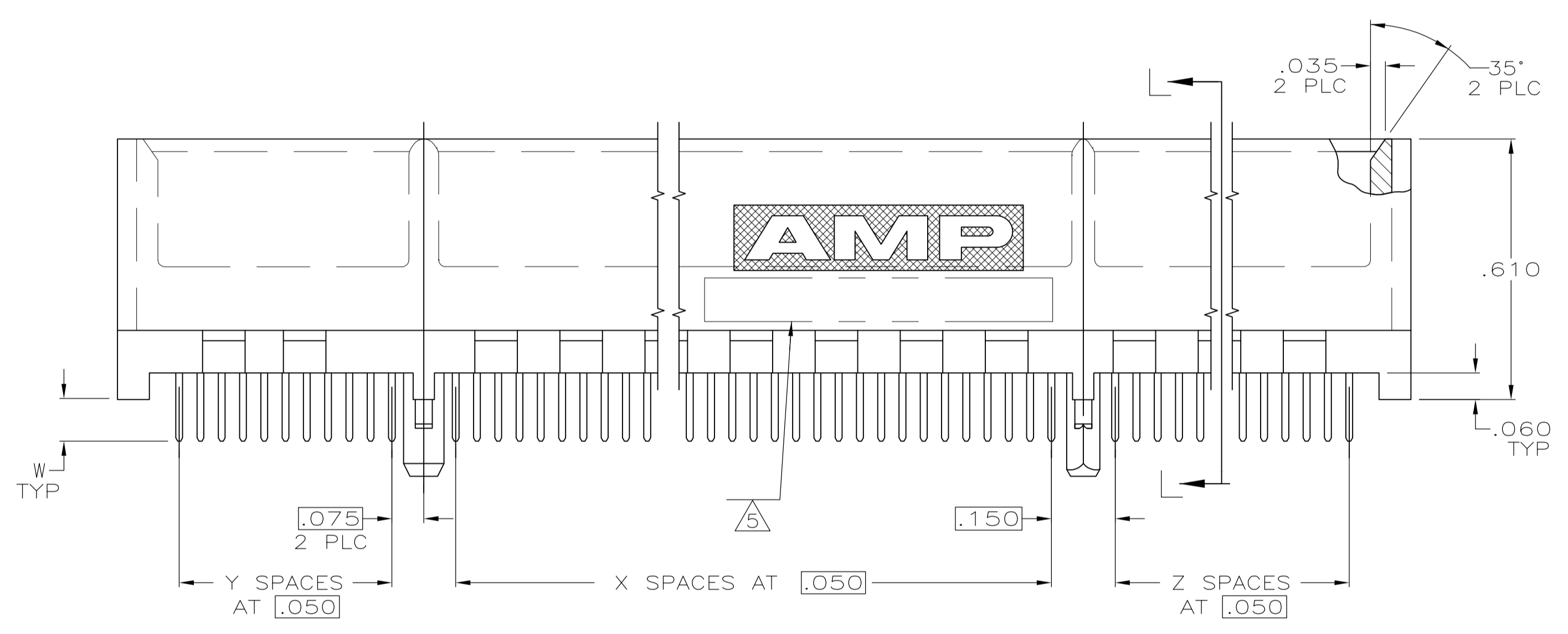
Address: A1208, Overseas Decoration Building, #122 Zhenhua RD., Futian, Shenzhen, China



LOC		DIST		REVISIONS			
GP	00	REV	DATE	DESCRIPTION	DATE	BY	APPV
		0	05 AUG 05	RELEASED PER EC 0512-0287-05	05 AUG 05	AWF	AWF
		01	09 NOV 09	REVISED ECO-09-024927	09 NOV 09	KK	AEG



- ① HOUSING: HIGH TEMPERATURE THERMOPLASTIC. COLOR: BROWN.
- ② CONTACT: PHOSPHOR BRONZE.
- ③ CONTACT FINISH: .000100 MIN NICKEL ALL OVER.
.000030 MIN GOLD OVER NICKEL IN CONTACT AREA.
.000100 MIN MATTE TIN OVER NICKEL ON SOLDER TAILS.
- ④ DISTANCE FROM CONTACT POINT TO BOTTOM OF CARD SLOT.
- ⑤ AMP PART NUMBER, DATE CODE AND CSA LOGO MARKED IN APPROXIMATE AREA SHOWN.
- ⑥ OBSOLETE PARTS: OBSOLETE CIS STREAMLINING PER D.RENAUD/D.SINISI



SEE SHEET 2 FOR HOLE PATTERNS

OBSOLETE	HOLE PATTERN	DIMENSIONS										NO OF DUAL POSN	PART NUMBER
		A	C	C	A	A	A	A	A	A	A		
⑥	A	2.350	3.110	3.94	.610	13	10	44	.14	70	1-5650231-0		
	C	2.350	4.060	6.44	2.160	32	41	44	.14	120	-5650231-7		
	C	2.350	4.060	6.44	2.160	32	41	44	.10	120	-5650231-6		
	A	2.350	3.110	3.94	.610	13	10	44	.10	70	-5650231-5		
	A	2.350	5.610	6.44	.610	63	10	44	.10	120	-5650231-2		
A	2.350	5.610	6.44	.610	63	10	44	.14	120	5650231-1			

THIS DRAWING IS A CONTROLLED DOCUMENT.

AL FRANTUM 05 AUG 05
 AL FRANTUM 05 AUG 05

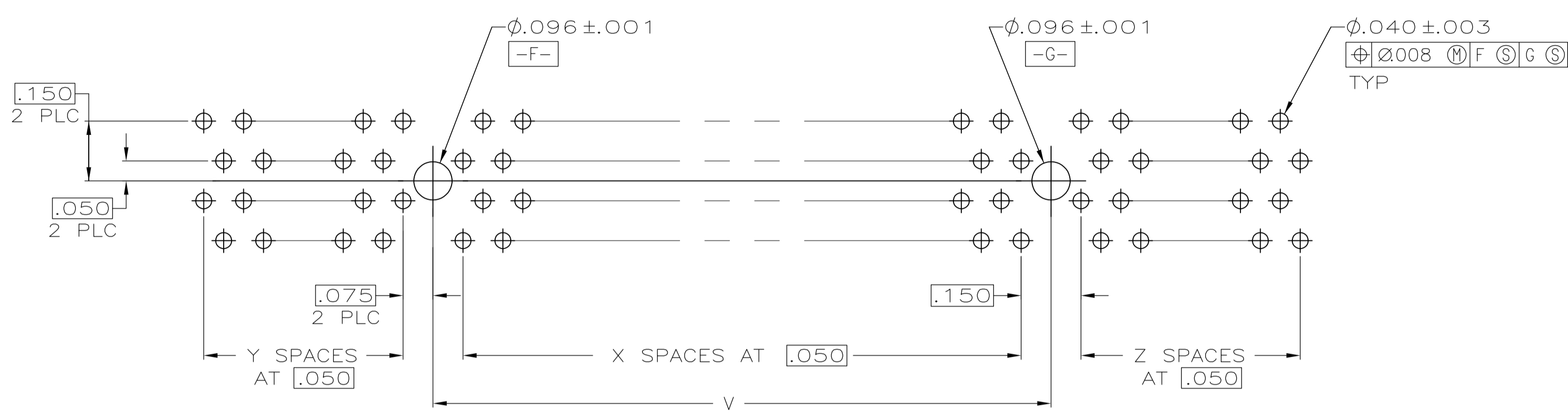
tyco Electronics
 Tyco Electronics Corporation
 Harrisburg, Pa 17105-3608

PRODUCT SPEC: 108-14034
 APPLICATION SPEC: 114-26012

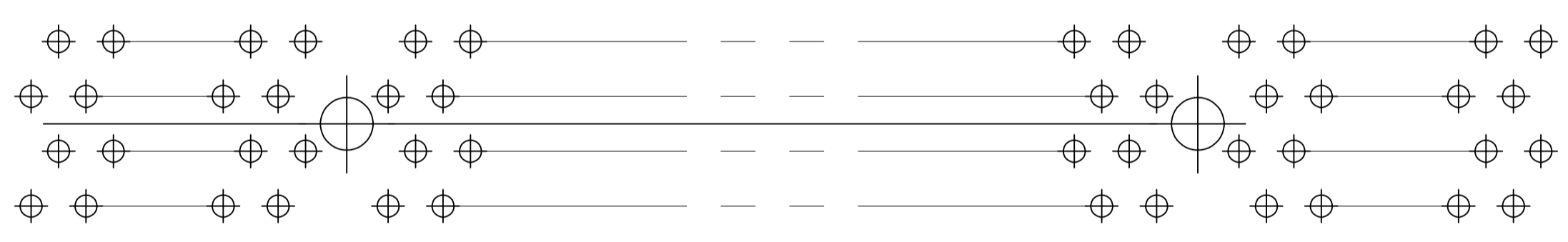
SIZE: A1
 CAGE CODE: 00779
 DRAWING NO: 5650231

RESTRICTED TO: -
 CUSTOMER DRAWING

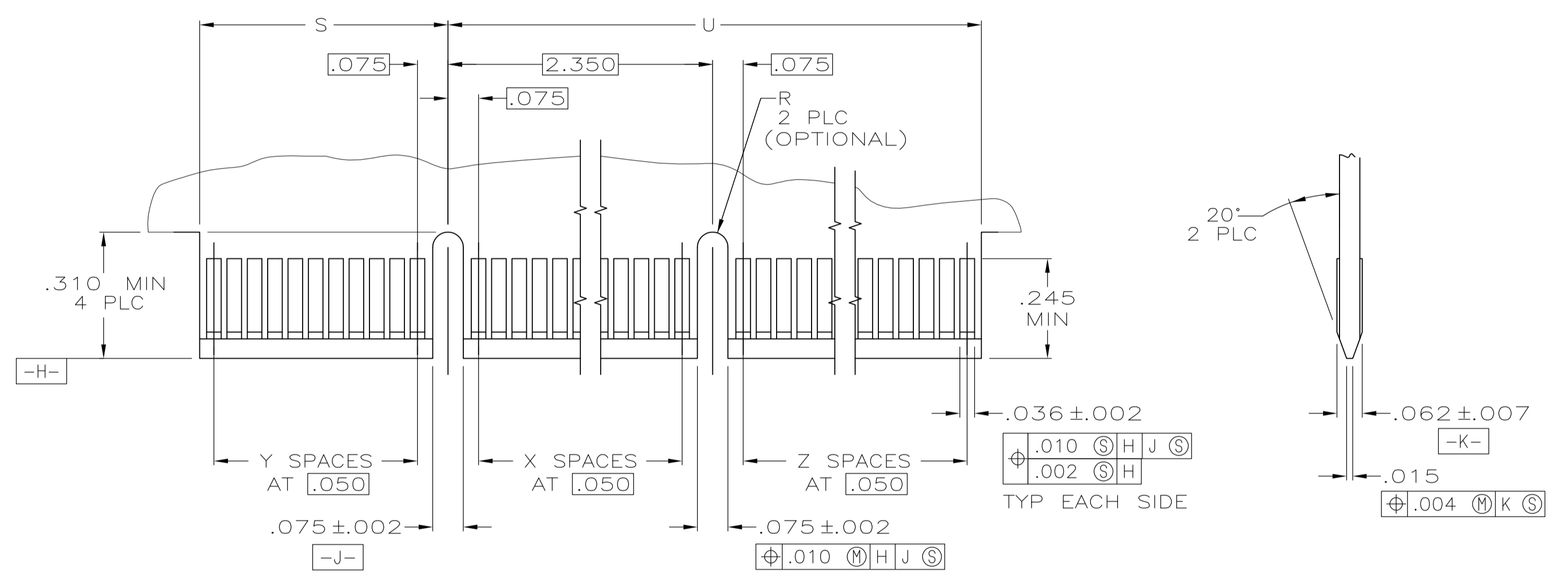
SCALE: 4:1
 SHEET: 1 OF 2
 REV: 01



RECOMMENDED CONNECTOR MOUNTING HOLE PATTERN A
(CONNECTOR SIDE SHOWN)



RECOMMENDED CONNECTOR MOUNTING HOLE PATTERN C
(CONNECTOR SIDE SHOWN)



RECOMMENDED MATING BOARD EDGE CONFIGURATION

THIS DRAWING IS A CONTROLLED DOCUMENT.		DWN AL FRANTUM 05 AUG 05 CHK AL FRANTUM 05 AUG 05 APVD	tyco Electronics Tyco Electronics Corporation Harrisburg, Pa 17105-3608
DIMENSIONS: INCHES 	TOLERANCES UNLESS OTHERWISE SPECIFIED: 0 PLC ± - 1 PLC ± - 2 PLC ± .01 3 PLC ± .005 4 PLC ± - ± Z ANGLES ± - Z	PRODUCT SPEC 108-14034 APPLICATION SPEC 114-26012	NAME CONNECTOR ASSEMBLY, DUAL POSITION, .050 SERIES, STANDARD EDGE SIZE A1 CAGE CODE 00779 DRAWING NO. C=5650231 RESTRICTED TO
MATERIAL SEE SHEET 1	FINISH SEE SHEET 1	WEIGHT	CUSTOMER DRAWING SCALE 4:1 SHEET 2 OF 2 REV 01