



Chipsmall Limited consists of a professional team with an average of over 10 year of expertise in the distribution of electronic components. Based in Hongkong, we have already established firm and mutual-benefit business relationships with customers from,Europe,America and south Asia,supplying obsolete and hard-to-find components to meet their specific needs.

With the principle of “Quality Parts,Customers Priority,Honest Operation,and Considerate Service”,our business mainly focus on the distribution of electronic components. Line cards we deal with include Microchip,ALPS,ROHM,Xilinx,Pulse,ON,Everlight and Freescale. Main products comprise IC,Modules,Potentiometer,IC Socket,Relay,Connector.Our parts cover such applications as commercial,industrial, and automotives areas.

We are looking forward to setting up business relationship with you and hope to provide you with the best service and solution. Let us make a better world for our industry!



Contact us

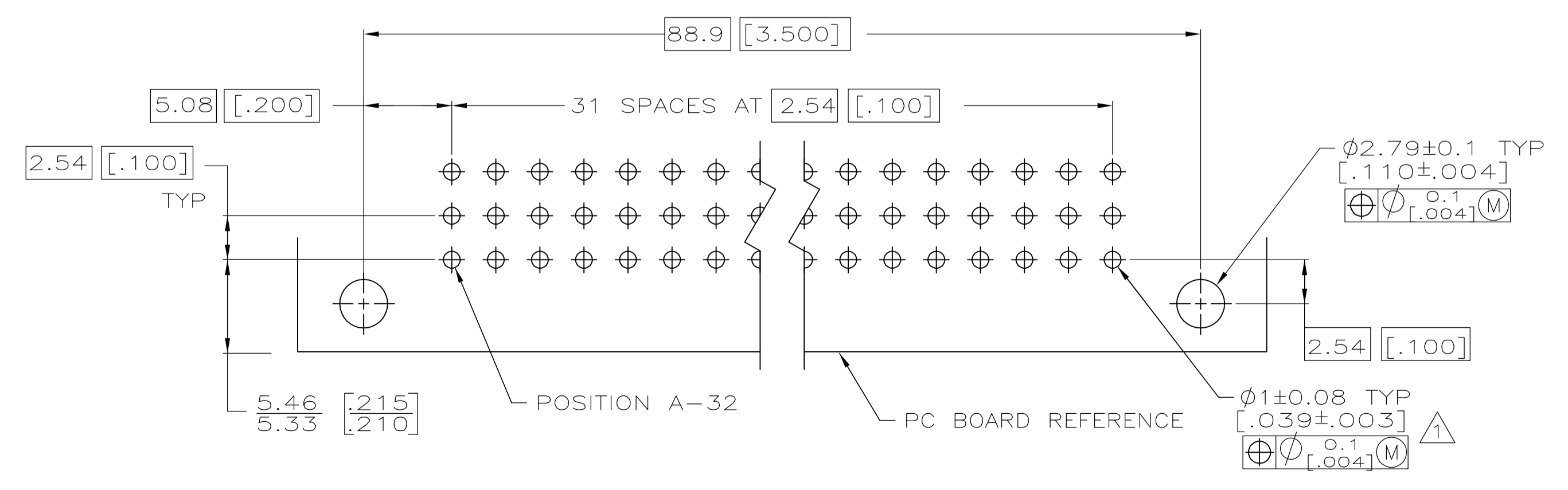
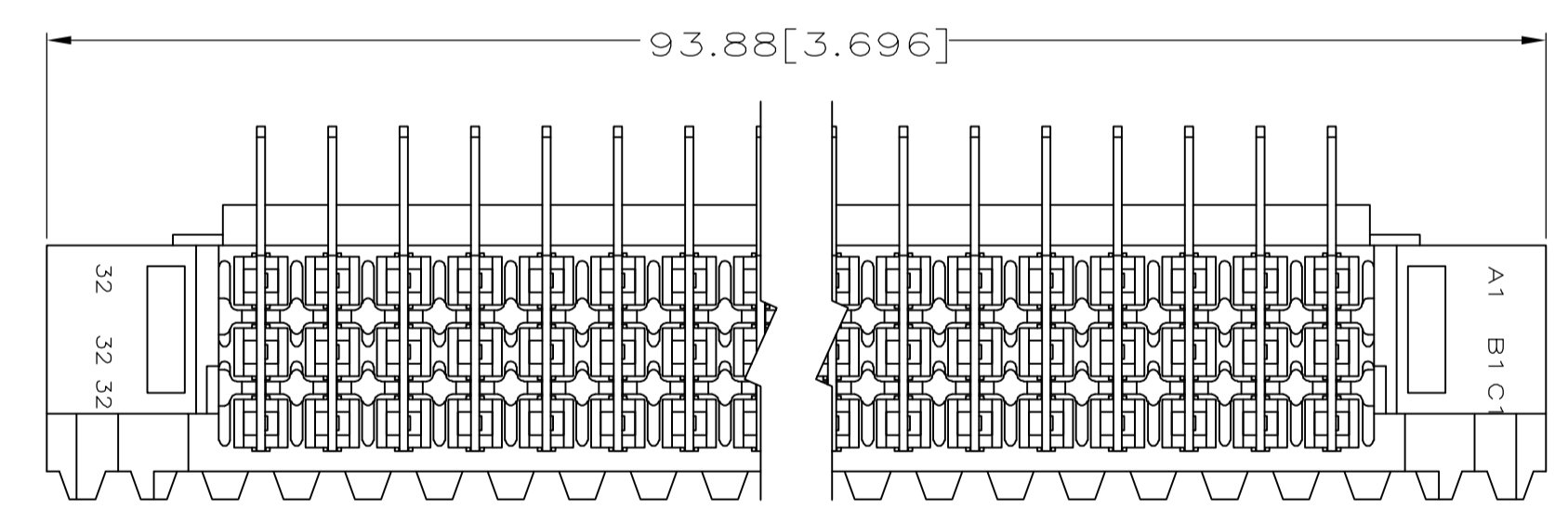
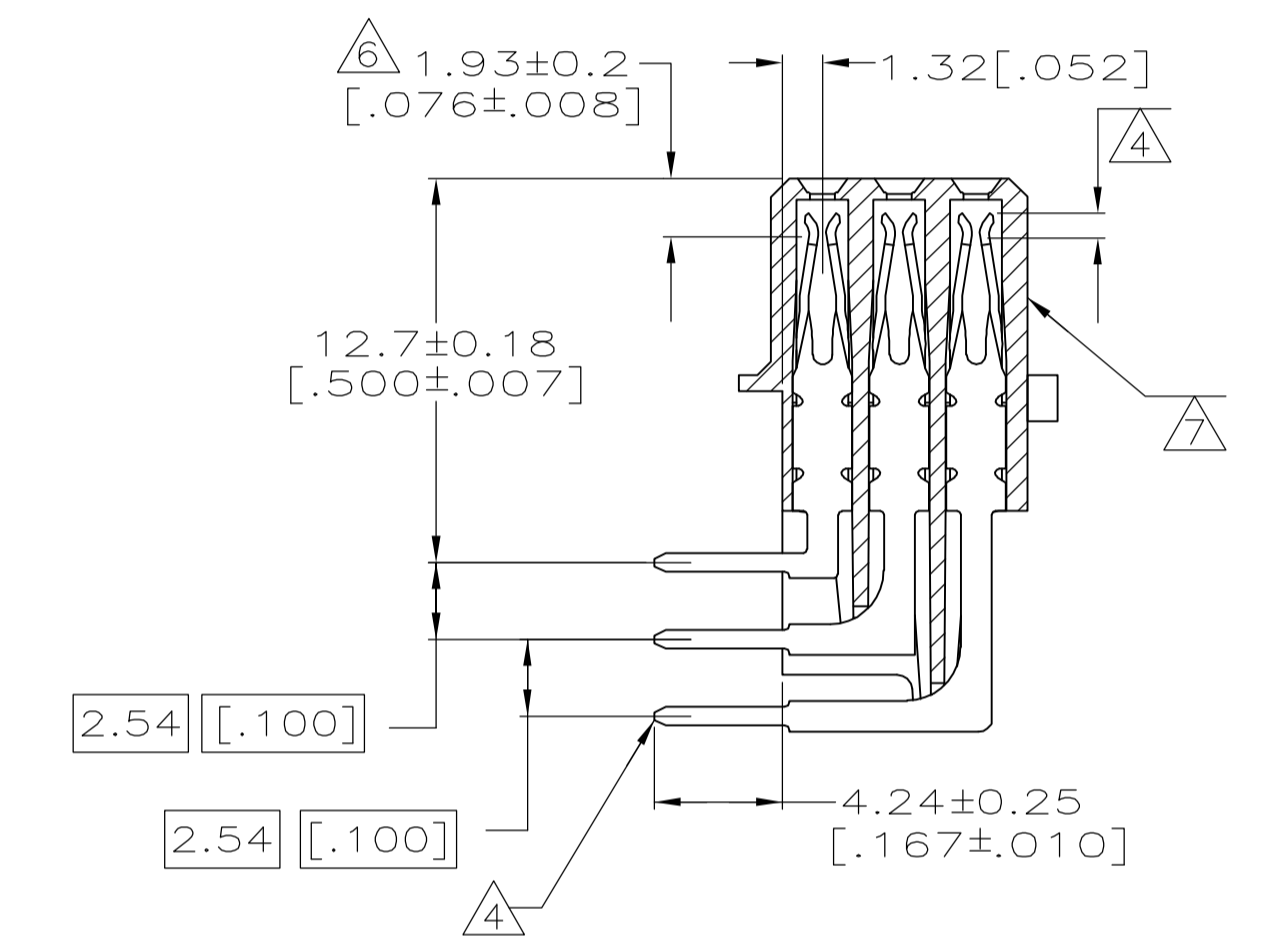
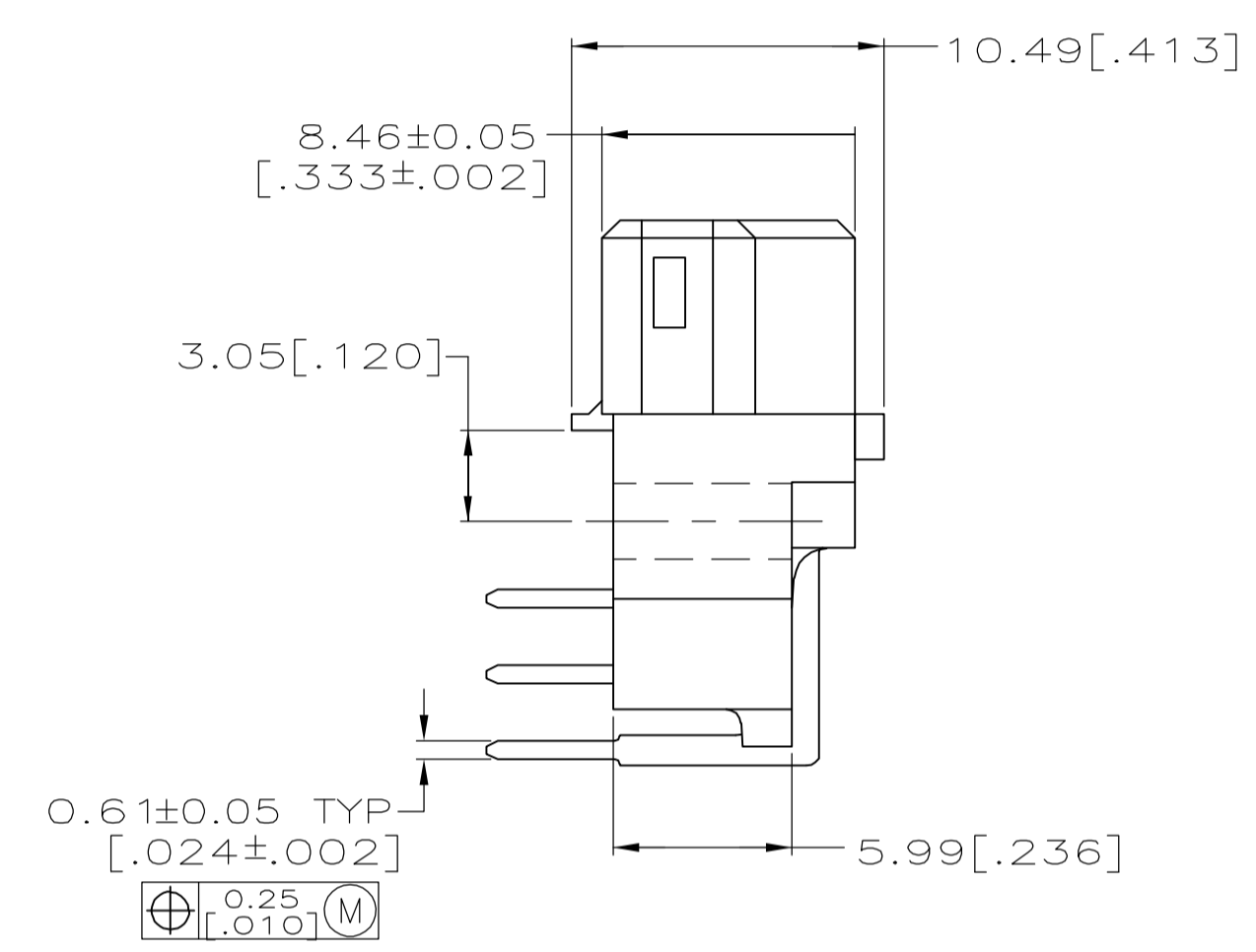
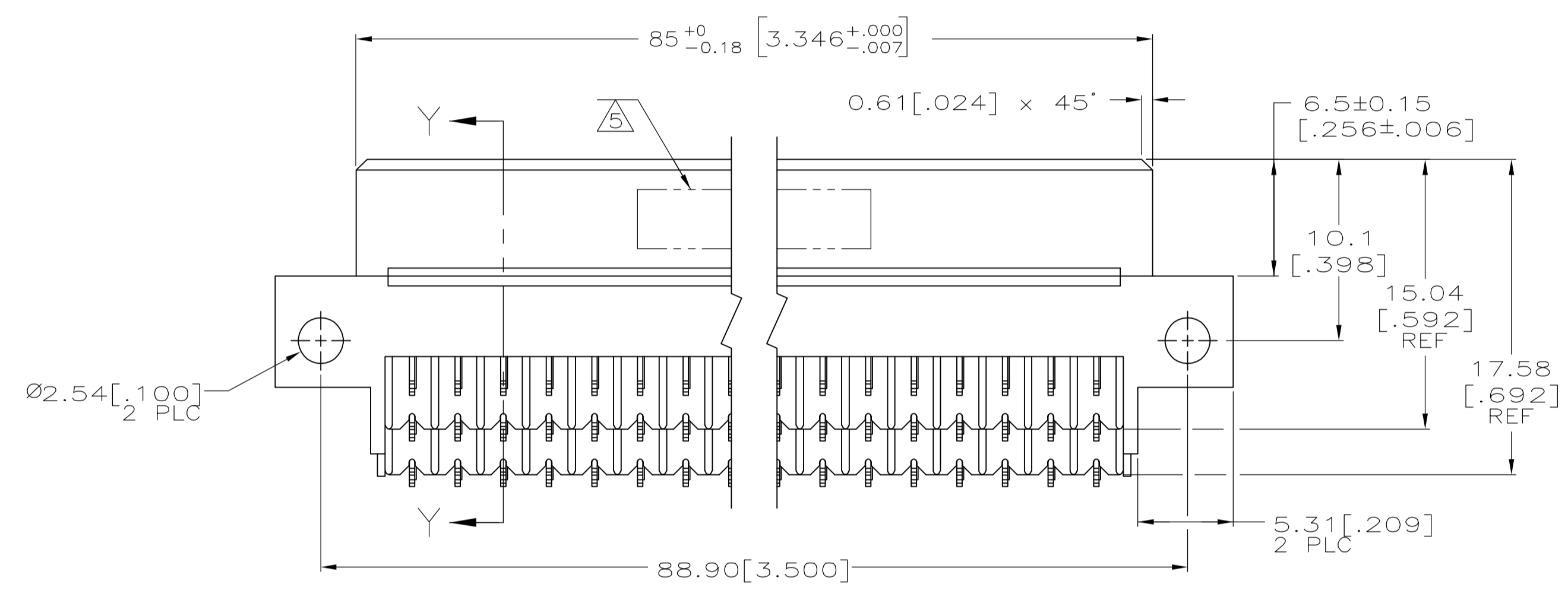
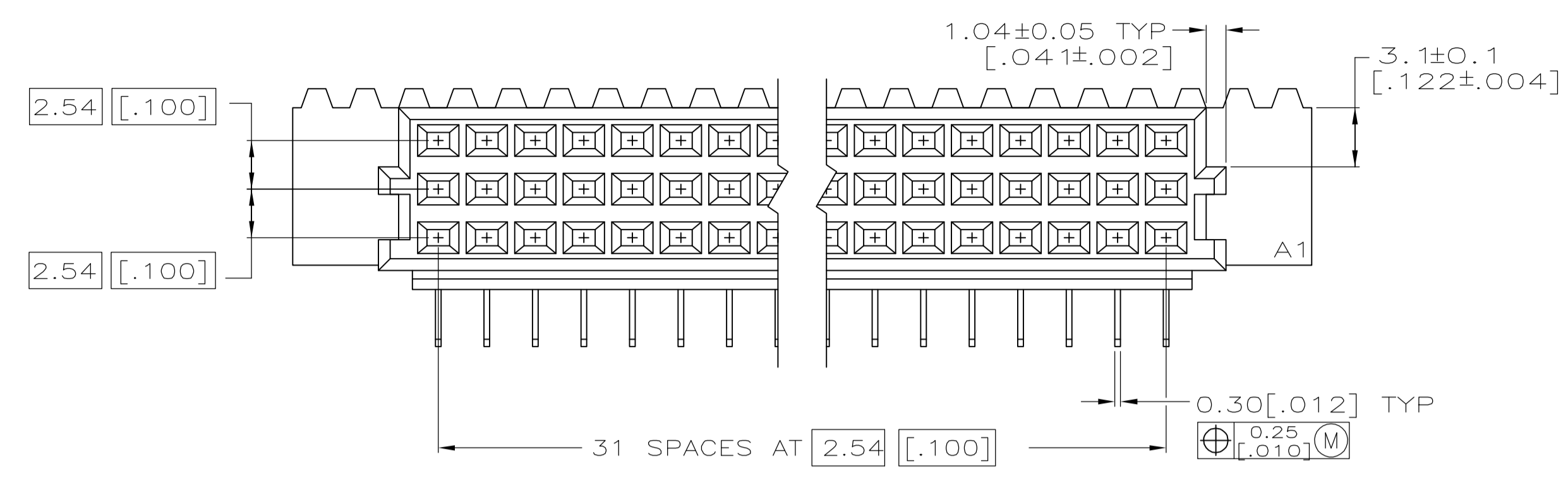
Tel: +86-755-8981 8866 Fax: +86-755-8427 6832

Email & Skype: info@chipsmall.com Web: www.chipsmall.com

Address: A1208, Overseas Decoration Building, #122 Zhenhua RD., Futian, Shenzhen, China



- 1 RECOMMENDED HOLE SIZE FOR MANUAL APPLICATION OF CONNECTOR ONTO PC BOARD.
- 2 HOUSING MATERIAL: GLASS-FILLED POLYMER.
- 3 CONTACT MATERIAL: COPPER ALLOY.
- 4 CONTACT FINISH: DIN 41612 CLASS 2 IN CONTACT AREA. TIN PLATE ON POSTS.
- 5 PART NUMBER, DATE CODE IDENTIFICATION, CSA LOGO THIS APPROXIMATE AREA.
- 6 CONTACT POINT.
- 7 MARKING ON THIS SIDE.



1 THRU 32	X	X	X	96	5650462-5
1 THRU 32	X	X	X	96	5650462-4
NOTES	POSITIONS LOADED		ROWS LOADED	NO. OF LOADED POSITION	ASSY PART NUMBER

THIS DRAWING IS A CONTROLLED DOCUMENT.

DIMENSIONS: mm [INCHES]	TOLERANCES UNLESS OTHERWISE SPECIFIED:	DIN J. POLIGNONE	03JUN05	tyco Electronics	Tyco Electronics Corporation Harrisburg, Pa 17105-3608
0 PLC ± -	1 PLC ± -	APVD A. SHARPE	03JUN05	NAME	ASSEMBLY, RECEPTACLE, EUROCARD, TYPE R, LEAD-FREE, 96 POSITION, 4.24[.167] SOLDER POSTS
2 PLC ± 0.13[.005]	3 PLC ± -	APPLICATION SPEC		SIZE	A1
4 PLC ± -	ANGLES ± -	FINISH	4	WEIGHT	—
MATERIAL		CUSTOMER DRAWING		SCALE	4:1
		DRAWING NO	00779	DRAWING NO	5650462
		RESTRICTED TO		SHEET	1 OF 1
		REV	0		